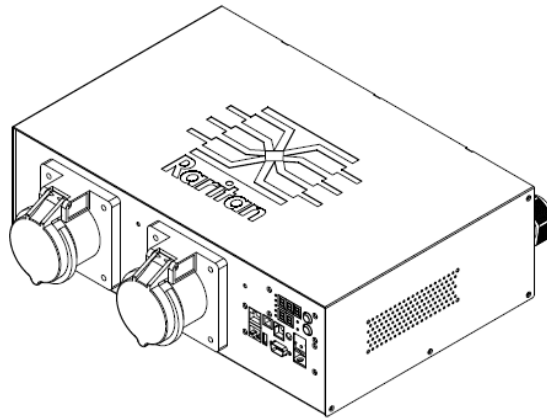


## Technical Specifications / Engineering Submittals

Raritan Model Number: PX2-5831R

rev20170831

### LINE DRAWING



### FEATURES

|                                     |   |
|-------------------------------------|---|
| Energy Metering                     | Voltage (V), Current (A), Active Power (kW), Real Power (kVA), Energy (kWh), Power Factor                     |
| Metering Accuracy                   | ISO/IEC 62053-21 1%   |
| Metering per Input Line             | Yes   |
| Metering per Branch Circuit Breaker | No  |
| Metering per Output Receptacle      | Yes   |
| Remote Outlet Switching             | Yes   |
| Environmental Sensor Ready          | Yes   |
| Replaceable Controller              | No  |
| Compatible Sensors                  | Temperature, Humidity, Air Flow, Differential Pressure, Water Leak, and Contact Closure                       |
| Networking                          | (10/100 BaseT) Ethernet port. Optional WiFi (802.11a/b/g/n)   |
| Remote Management                   | HTTP(s); SSH; Telnet; RS-232 (Serial); Power IQ; SNMP version v2/v3; SMTP; JSON-RPC                           |
| Cascading                           | Yes, Max 8 PDUs can be daisy chained using USB connection   |
| Onboard Display                     | 3-digit LED user-selectable display : Voltage, current, or active power (per line or per receptacle / outlet) |
| Embedded Processor                  | ARM9 400MHZ (Atmel SAM9G20), 16MB NOR Flash, 64MB SDRAM   |

## Technical Specifications / Engineering Submittals

Raritan Model Number: PX2-5831R

rev20170831

### INPUT

|                       |                                  |
|-----------------------|----------------------------------|
| Input Plug            | IEC 60309 2P+E 6h 63A (2P3W)     |
| Cord Length           | 3 meters (9.84 feet) standard    |
| Cord Entry            | Rear feed                        |
| Cable Type            | IP44("splashproof")              |
| Number of Power Cords | 1                                |
| Maximum Input Current | 63A                              |
| Nominal Input Voltage | 230V                             |
| Rated Input Voltage   | 200 - 240V                       |
| Input Frequency       | 50/60Hz                          |
| Power Capacity        | 12.6kVA at 200V, 15.1kVA at 240V |

### OUTPUT

|                                  |                                |
|----------------------------------|--------------------------------|
| Nominal Output Voltage           | 230V                           |
| Rated Output Voltage             | 200 - 240V                     |
| Receptacles (Output Connections) | (2) IEC 60309 2P+E 6h 63A, 63A |
| Securelock Support               | No                             |
| Cord Retention                   | No                             |
| Overload Protection              | N/A                            |

### PHYSICAL

|                             |  |
|-----------------------------|--|
| Color                       | Black powder coat (custom colors available)      |
| Unit Dimensions (WxDxH)     | 17.3" x 11.5" x 5.2" ; 440mm x 293mm x 132mm     |
| Unit Weight                 | 6.35 kg  |
| Shipping Weight             | 7.05 kg  |
| Shipping Dimensions (WxDxH) | 21.65" x 10.43" x 24.02" ; 550mm x 265mm x 610mm |
| Mounting                    | RACK-KIT-PX-3U                                   |

## Technical Specifications / Engineering Submittals

Raritan Model Number: PX2-5831R

rev20170831

### ENVIRONMENTAL

---

Operating Temperature 50°C

---

Operating Relative Humidity 85%

---

Operating Elevation 0-10000ft

---

### CONFORMANCE

---

Regulatory Approvals CE, Canada ICES-003, Part 15 Class A of the FCC rules,  
RoHS compliant

---

Warranty Standard 2 years manufacturer warranty

---

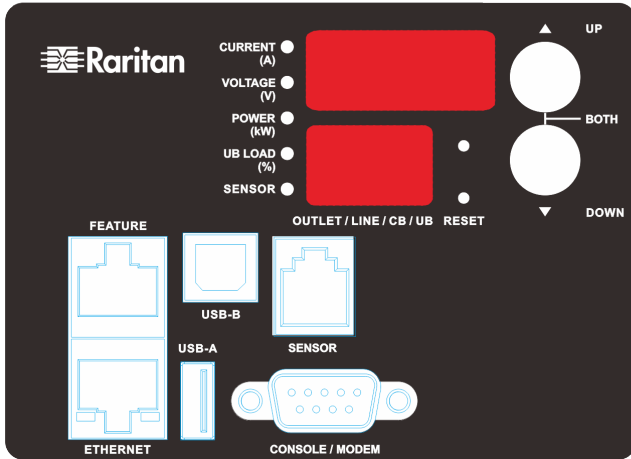
# Technical Specifications / Engineering Submittals

Raritan Model Number: PX2-5831R

rev20170831

## CONTROL PANEL

Dimension: 106.5mm x 77mm

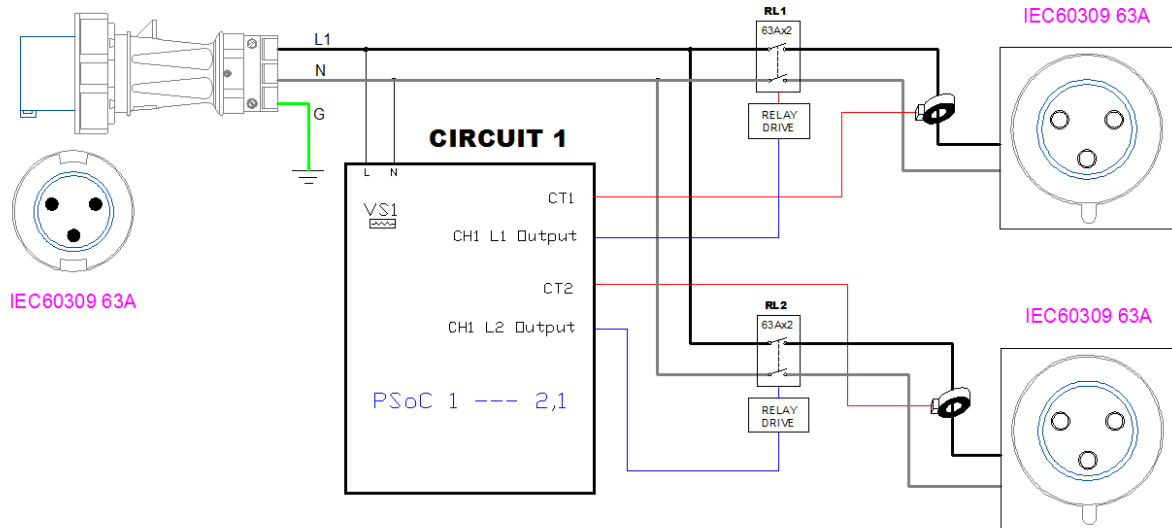


## Technical Specifications / Engineering Submittals

Raritan Model Number: PX2-5831R

rev20170831

### ELECTRICAL (ONE LINE) DIAGRAM

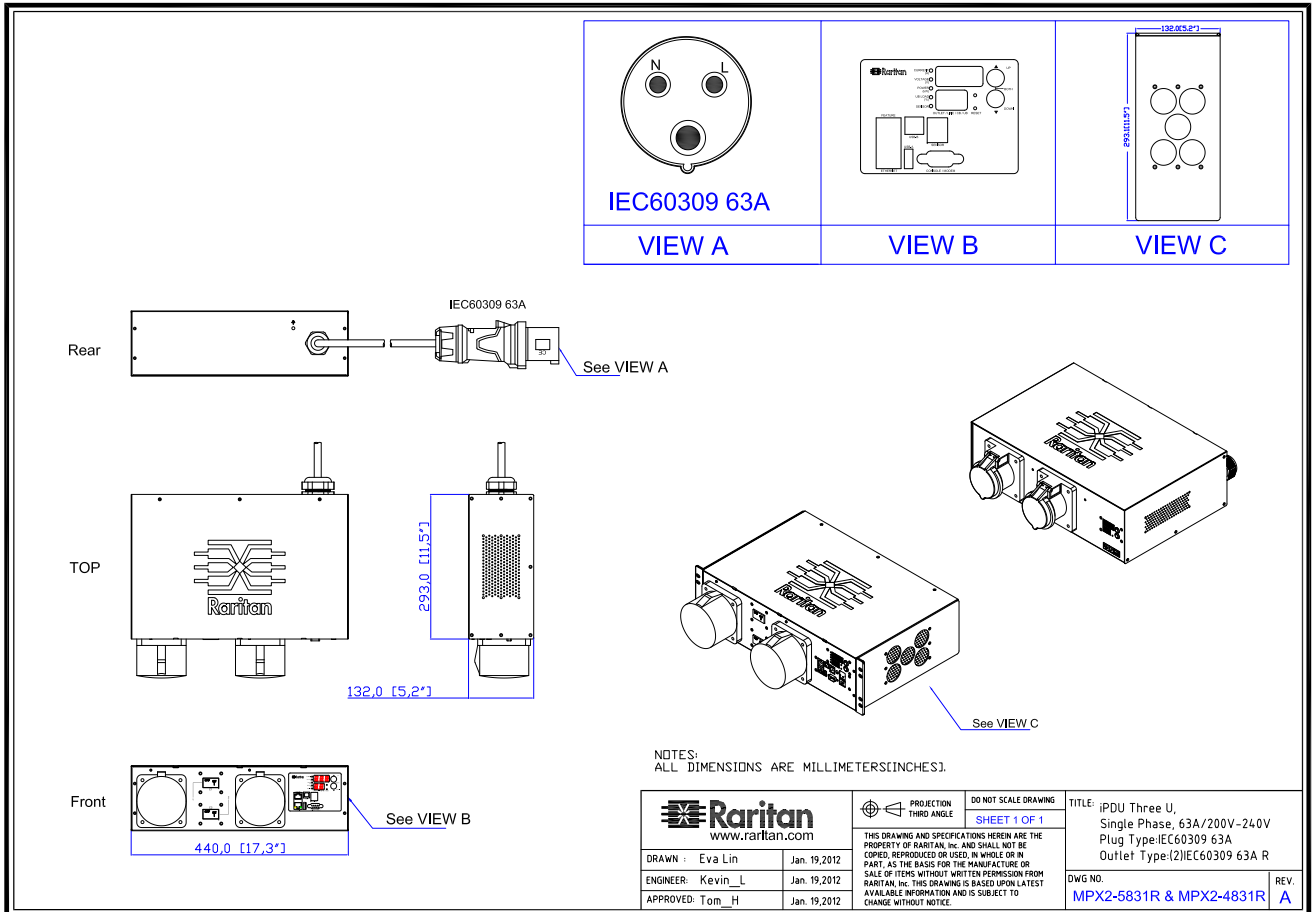


## Technical Specifications / Engineering Submittals

Raritan Model Number: PX2-5831R

rev20170831

### MECHANICAL DIAGRAM



## Technical Specifications / Engineering Submittals

Raritan Model Number: PX2-5831R

rev20170831

### TRIP CURVE

This file generated on: Thu, August 31, 2017 - 20:59:10