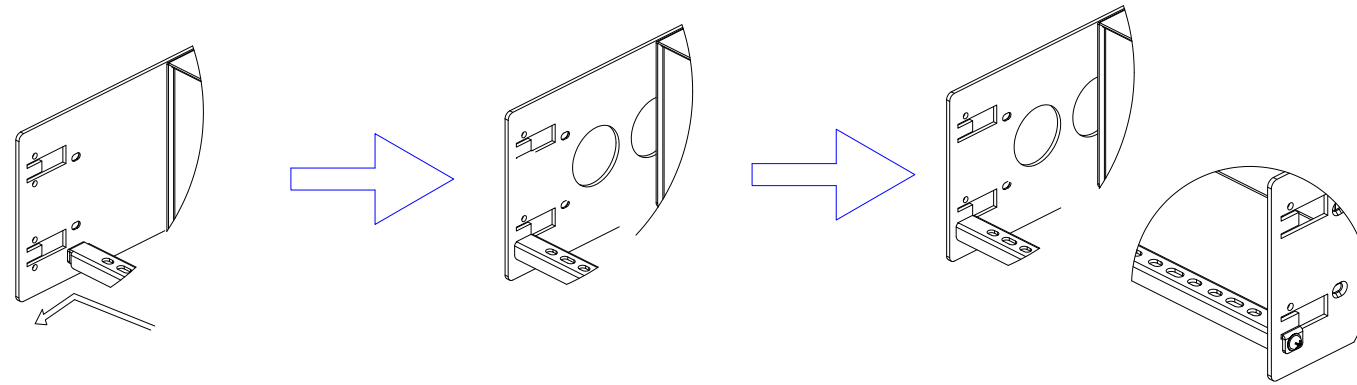


NEMA 5-20P

VIEW A



88,1 [3,5]

365,2 [14,4]

365,2 [14,4]

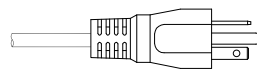
88,1 [3,5]

VIEW B

Rear

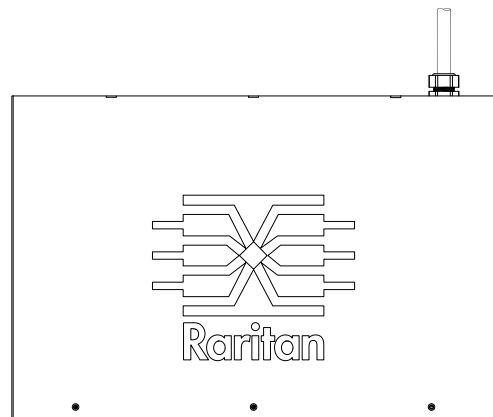


NEMA 5-20P



See VIEW A

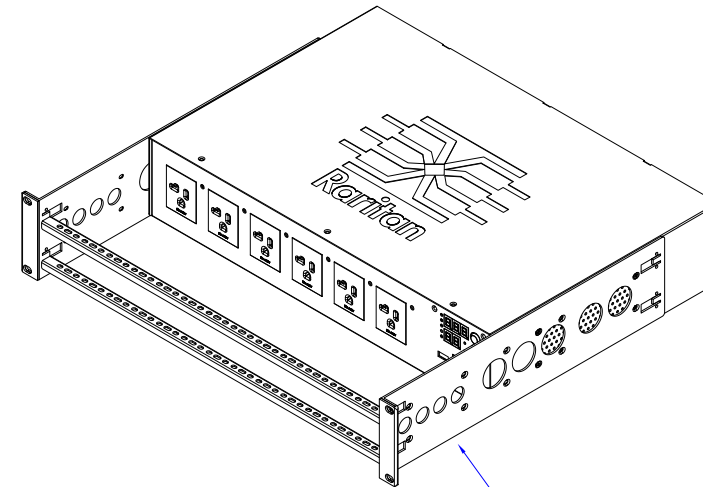
TOP



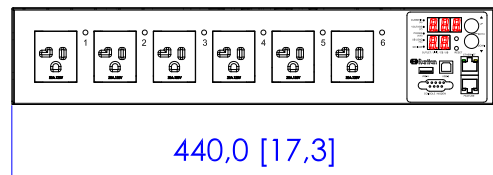
293,0 [11,5]

88,1 [3,5]

See VIEW B

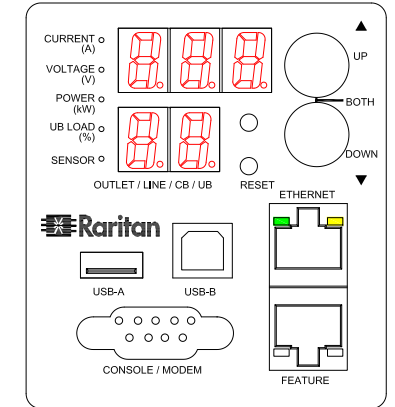


Front



440,0 [17,3]

See VIEW C



VIEW C

NOTES:
ALL DIMENSIONS ARE MILLIMETERS [INCHES].



DRAWN : Eva Lin	Nov. 24, 2010
ENGINEER: Sam	Nov. 24, 2010
APPROVED: Kevin_C	Nov. 24, 2010

PROJECTION
THIRD ANGLE
DO NOT SCALE DRAWING
SHEET 1 OF 1

THIS DRAWING AND SPECIFICATIONS HEREIN ARE THE PROPERTY OF RARITAN, Inc. AND SHALL NOT BE COPIED, REPRODUCED OR USED, IN WHOLE OR IN PART, AS THE BASIS FOR THE MANUFACTURE OR SALE OF ITEMS WITHOUT WRITTEN PERMISSION FROM RARITAN, Inc. THIS DRAWING IS BASED UPON LATEST AVAILABLE INFORMATION AND IS SUBJECT TO CHANGE WITHOUT NOTICE.

TITLE: iPDU Two U,
Single Phase, 20A/100V
Input : NEMA 5-20P
Output : (6)NEMA 5-20R

DWG NO. MPX2-4838JR & MPX2-5838JR

REV. A