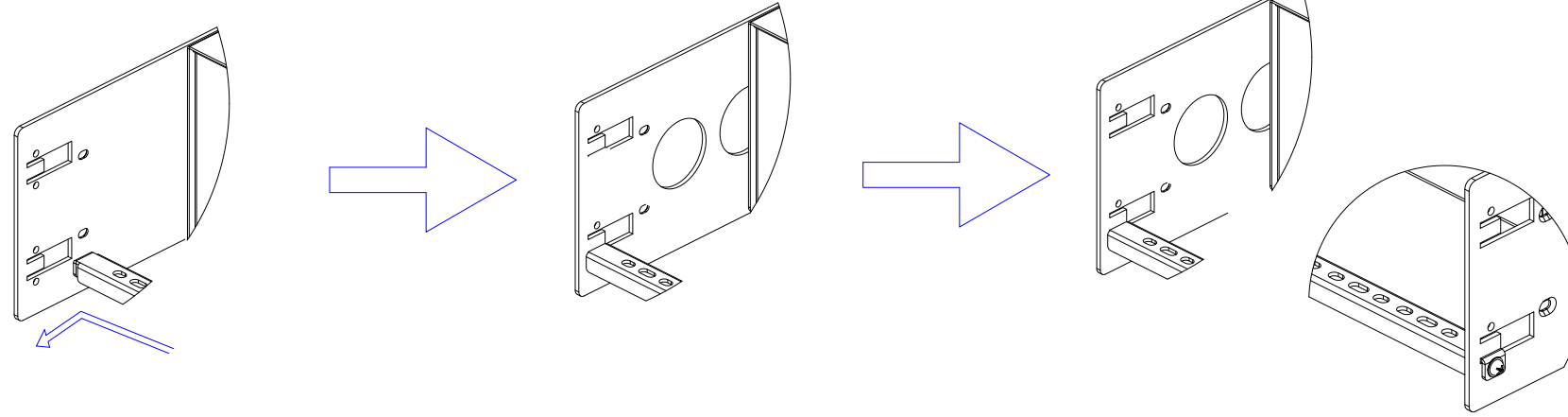


IEC309 32A/250V
P+N+PE

VIEW A



VIEW B

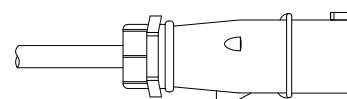
81.87 [3.226"]

339.4 [13.4"]

Rear

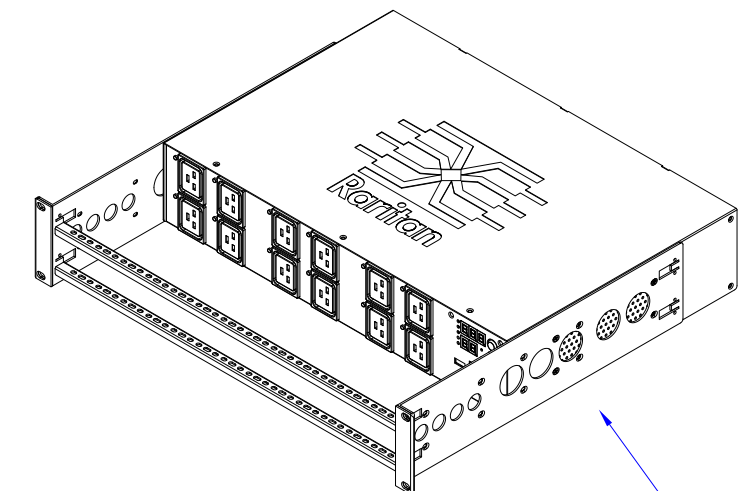
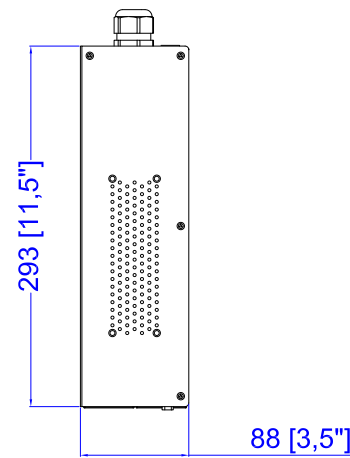
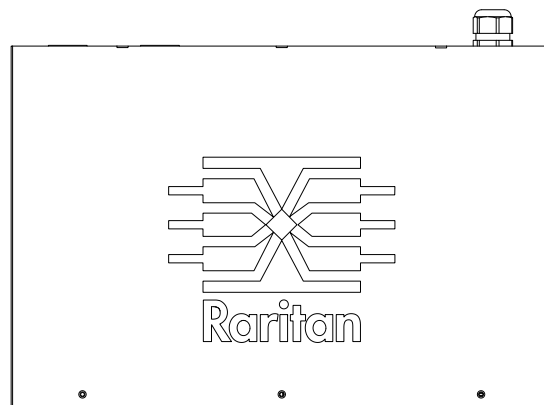


IEC309 32A/250V
P+N+PE



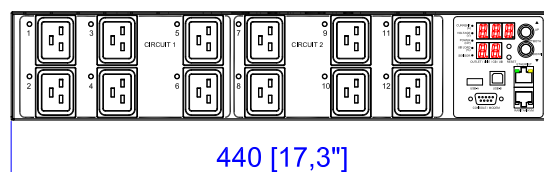
See VIEW A

TOP



See VIEW B

Front



NOTES:
ALL DIMENSIONS ARE MILLIMETERS[INCHES].



PROJECTION
THIRD ANGLE

DO NOT SCALE DRAWING

SHEET 1 OF 1

THIS DRAWING AND SPECIFICATIONS HEREIN ARE THE PROPERTY OF AMERICAN POWER CONVERSION AND SHALL NOT BE COPIED, REPRODUCED OR USED IN WHOLE OR IN PART, AS THE BASIS FOR THE MANUFACTURE OR SALE OF ITEMS WITHOUT WRITTEN PERMISSION FROM APC. THIS DRAWING IS BASED UPON LATEST AVAILABLE INFORMATION AND IS SUBJECT TO CHANGE WITHOUT NOTICE.

TITLE: iPDU Two U,
Three phase, 32A/250V
Input: IEC309 32A/250V P+N+PE.
Output: (12) IEC 320 C19.

DWG NO. **MPX-5840R & MPX-4840R**

REV. **A**

| | |
|-------------------|--------------|
| DRAWN : Eva LIN | Nov. 29,2010 |
| ENGINEER: Sam | Nov. 29,2010 |
| APPROVED: Kevin-C | Nov. 29,2010 |