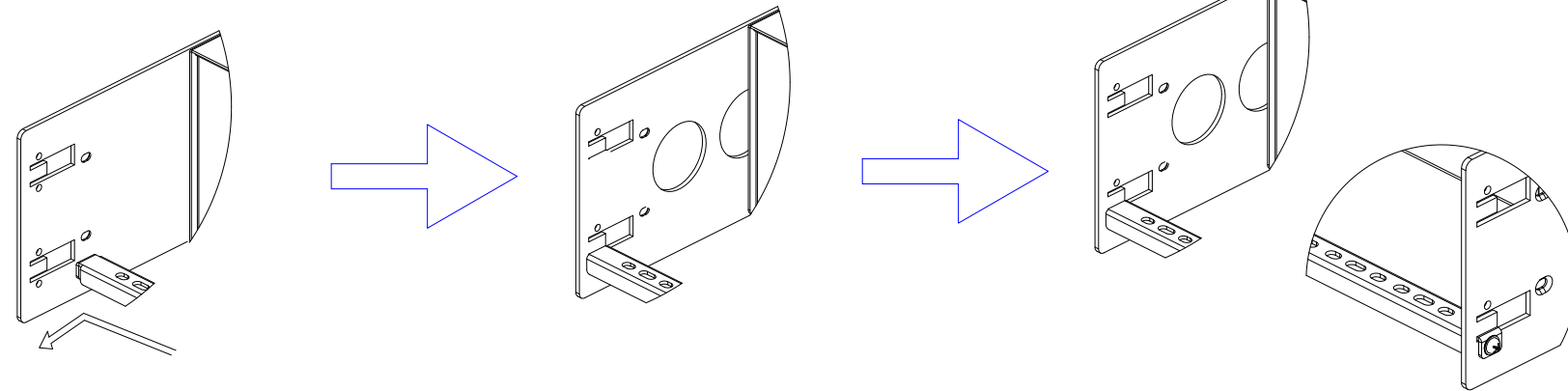


56PA332 32A/250V

VIEW A



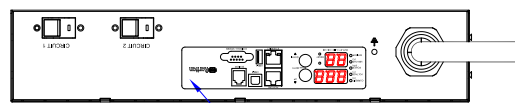
VIEW B

88.1 [3.5"]

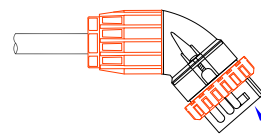
365.3 [14.4"]

Rear

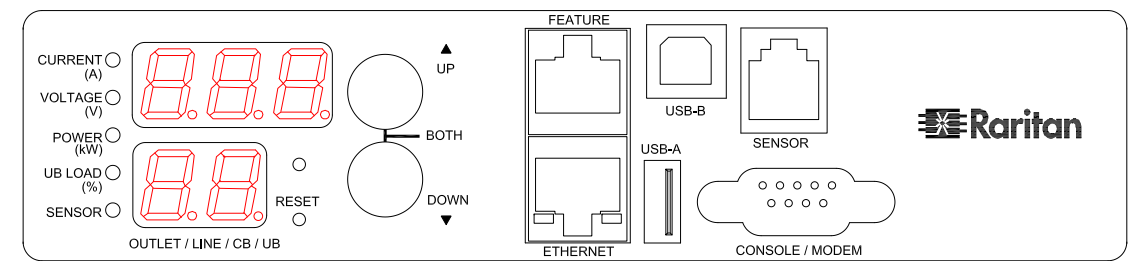
See VIEW C



56PA332 32A/250V

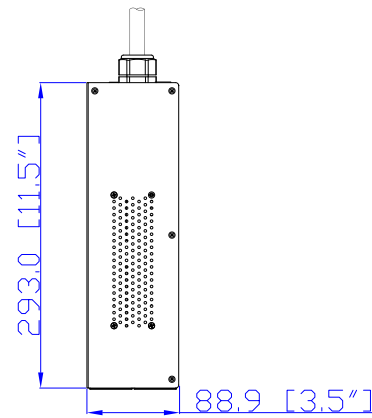
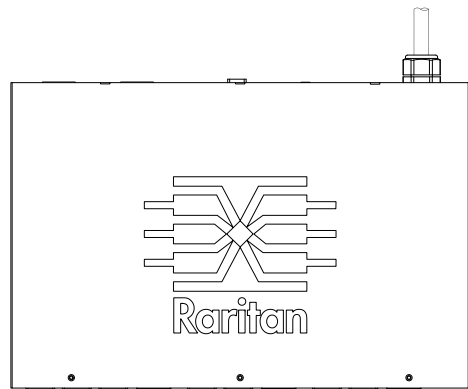


See VIEW A

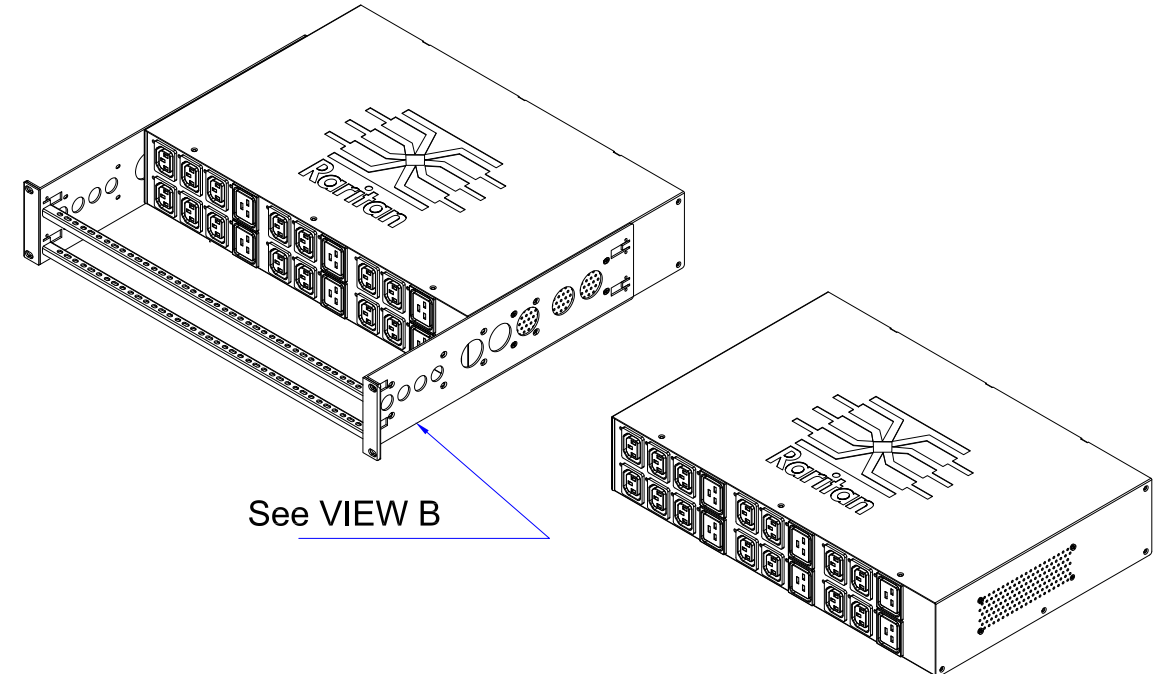


VIEW C

TOP



Front



See VIEW B

NOTES:
ALL DIMENSIONS ARE MILLIMETERS[INCHES].



DO NOT SCALE DRAWING

SHEET 1 OF 1

TITLE:
iPDU Two U,
Single phase, 32A/240V
Input Type:56PA332 32A/250V,
Output Type:(14)IEC320 C13 (6)IEC320 C19

DRAWN : EVA LIN Feb. 01,2012

ENGINEER: Sam-L Feb. 01,2012

APPROVED: Tom_H Feb. 01,2012

THIS DRAWING AND SPECIFICATIONS HEREIN ARE THE PROPERTY OF RARITAN, INC. AND SHALL NOT BE COPIED, REPRODUCED OR USED, IN WHOLE OR IN PART, AS THE BASIS FOR THE MANUFACTURE OR SALE OF ITEMS WITHOUT WRITTEN PERMISSION FROM RARITAN, INC. THIS DRAWING IS BASED UPON LATEST AVAILABLE INFORMATION AND IS SUBJECT TO CHANGE WITHOUT NOTICE.

DWG NO.
MPX2-5844A2R & MPX2-4844A2R
REV. A