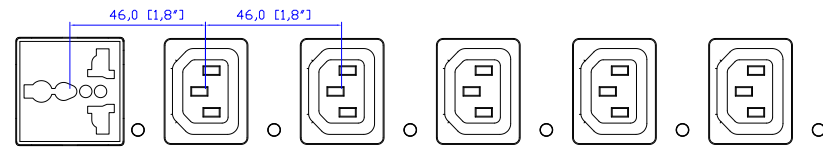


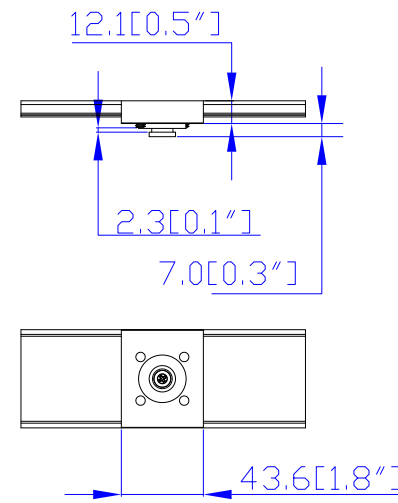
IEC60309 32A

VIEW A

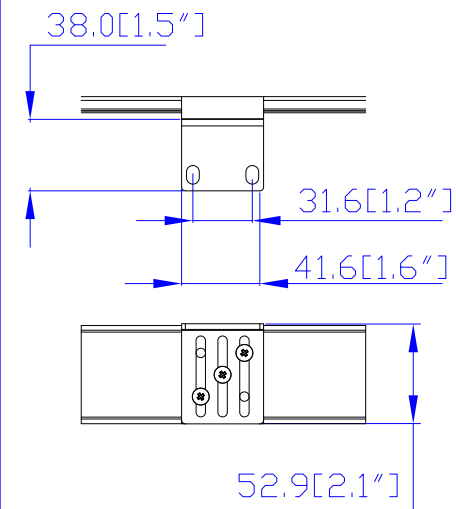


VIEW B

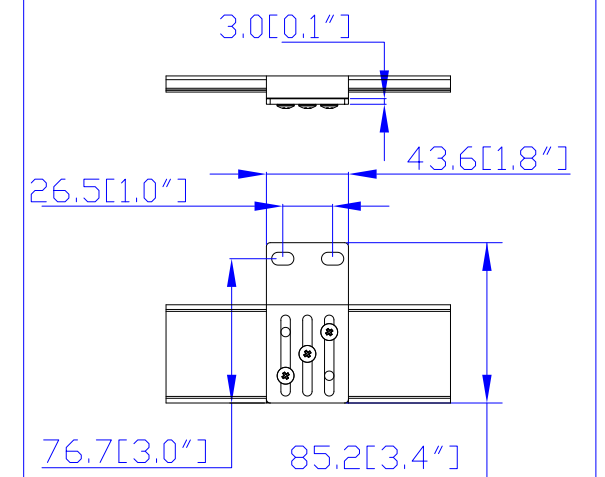
Option 1.



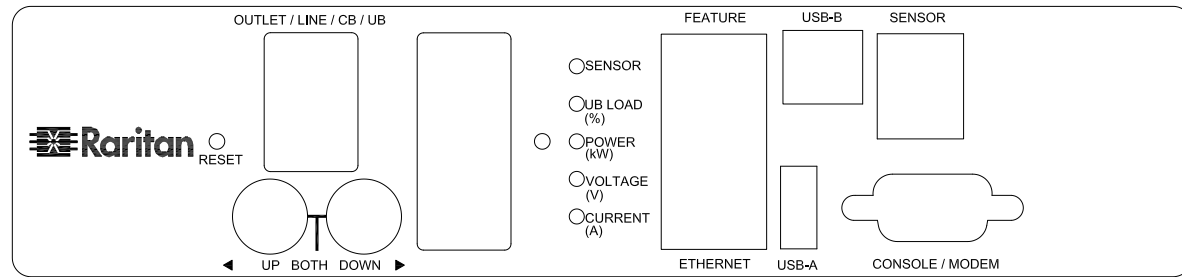
Option 2.



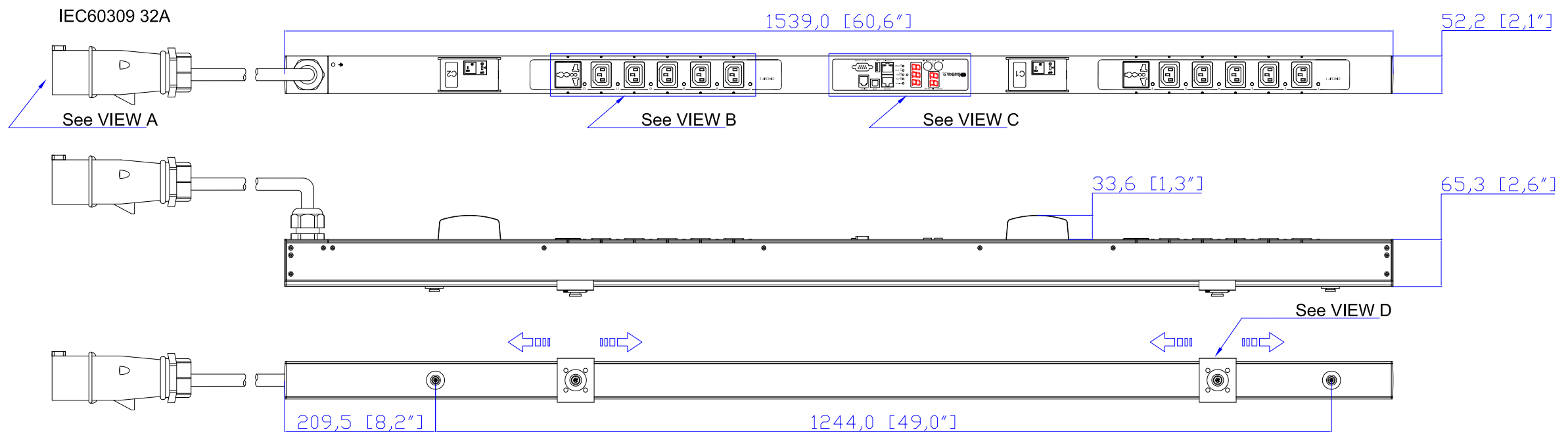
Option 3.



VIEW D



VIEW C



NOTES:  
1.ALL DIMENSIONS ARE MILLIMETERS[INCHES].



DO NOT SCALE DRAWING  
SHEET 1 OF 1

THIS DRAWING AND SPECIFICATIONS HEREIN ARE THE PROPERTY OF RARITAN, INC. AND SHALL NOT BE COPIED, REPRODUCED OR USED, IN WHOLE OR IN PART, AS THE BASIS FOR THE MANUFACTURE OR SALE OF ITEMS WITHOUT WRITTEN PERMISSION FROM RARITAN, INC. THIS DRAWING IS BASED UPON LATEST AVAILABLE INFORMATION AND IS SUBJECT TO CHANGE WITHOUT NOTICE.

TITLE:  
iPDU Zero U,  
Single phase 32A / 200V-240V  
Plug Type: IEC60309 32A  
Outlet Type: (10)IEC320 C13,(2) Universal Socket

DRAWN :	EVA LIN	Aug. 22,2012
ENGINEER:	Kenny_C	Aug. 22,2012
APPROVED:	Tom_H	Aug. 22,2012

DWG NO.	REV.
MPX2-5888 & MPX2-4888	A