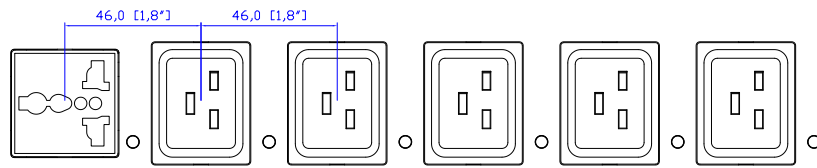
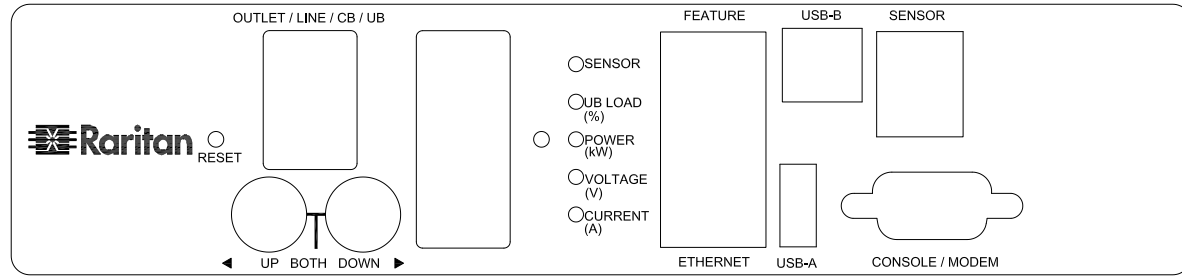


IEC60309 32A

VIEW A

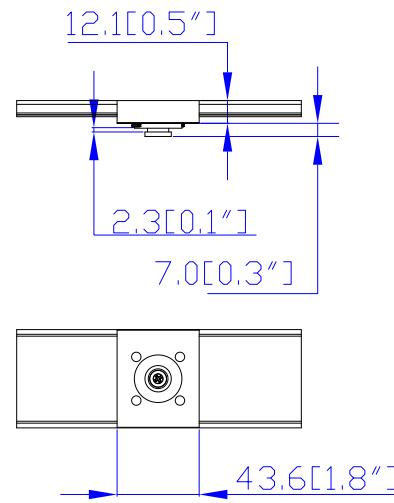


VIEW B

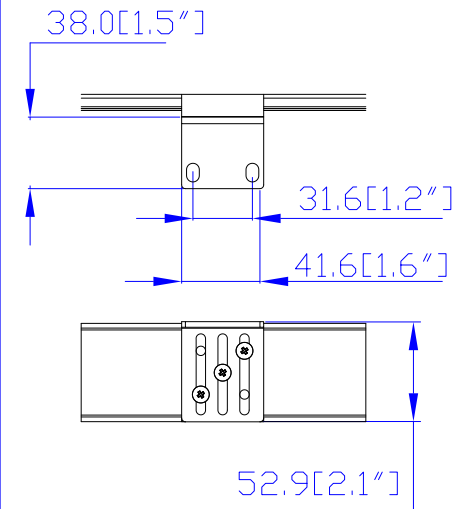


VIEW C

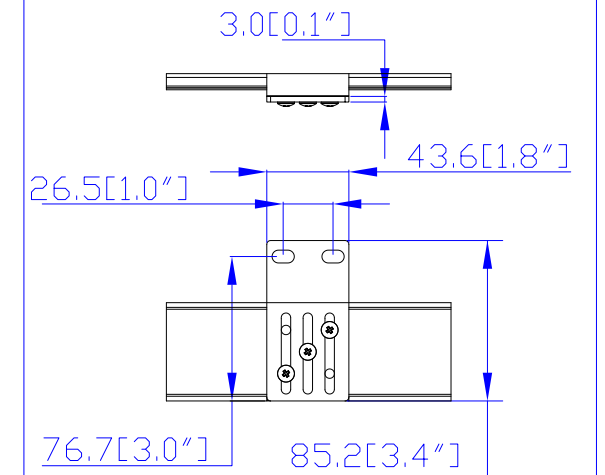
Option 1.



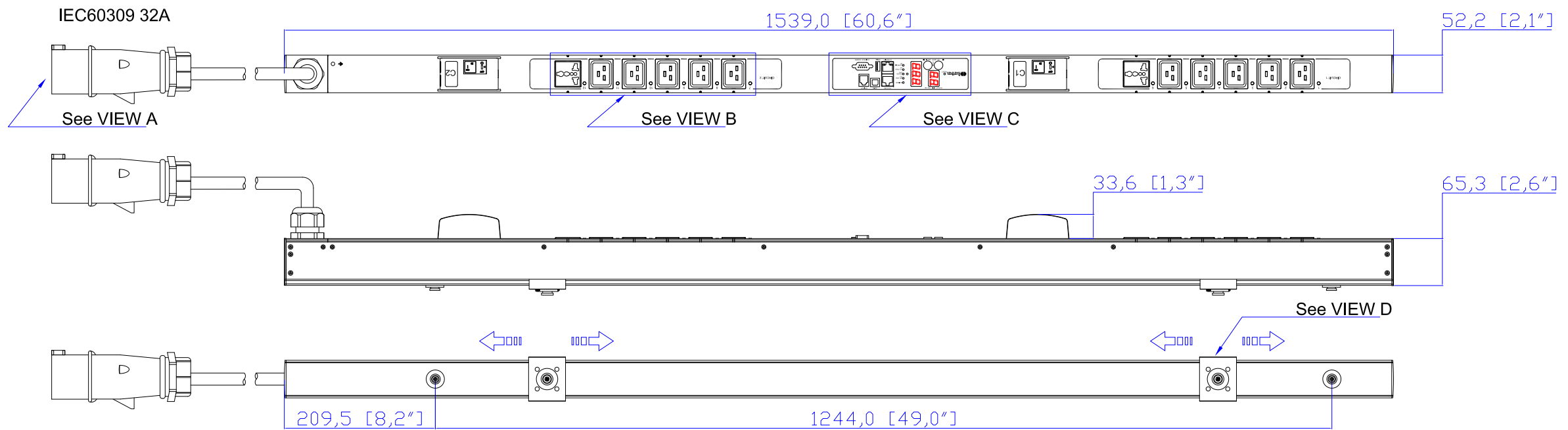
Option 2.



Option 3.



VIEW D



NOTES:  
1. ALL DIMENSIONS ARE MILLIMETERS [INCHES].



DO NOT SCALE DRAWING  
SHEET 1 OF 1

THIS DRAWING AND SPECIFICATIONS HEREIN ARE THE PROPERTY OF RARITAN, INC. AND SHALL NOT BE COPIED, REPRODUCED OR USED, IN WHOLE OR IN PART, AS THE BASIS FOR THE MANUFACTURE OR SALE OF ITEMS WITHOUT WRITTEN PERMISSION FROM RARITAN, INC. THIS DRAWING IS BASED UPON LATEST AVAILABLE INFORMATION AND IS SUBJECT TO CHANGE WITHOUT NOTICE.

DRAWN : EVA LIN Aug. 22, 2012  
ENGINEER: Kenny\_C Aug. 22, 2012  
APPROVED: Tom\_H Aug. 22, 2012

TITLE:  
iPDU Zero U,  
Single phase 32A / 200V-240V  
Plug Type: IEC60309 32A  
Outlet Type: (10)IEC320 C19,(2) Universal Socket

DWG NO. **MPX2-5889 & MPX2-4889** REV. **A**