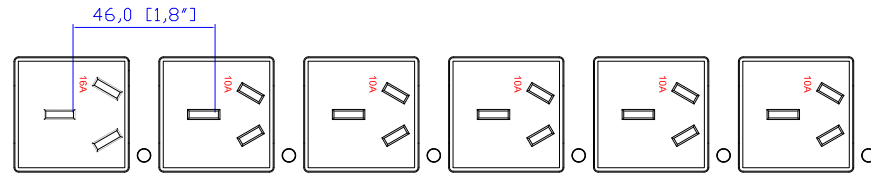


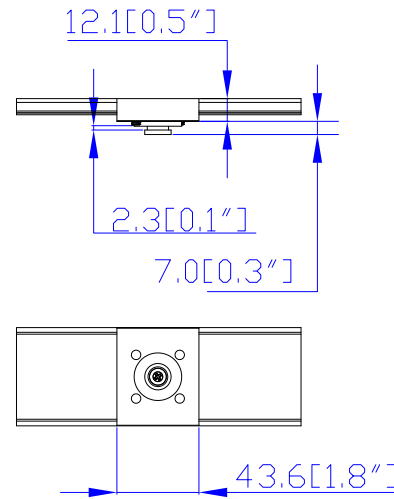
IEC309 32A

VIEW A

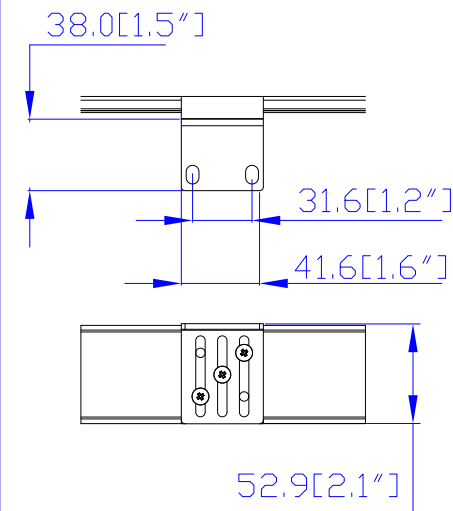


VIEW B

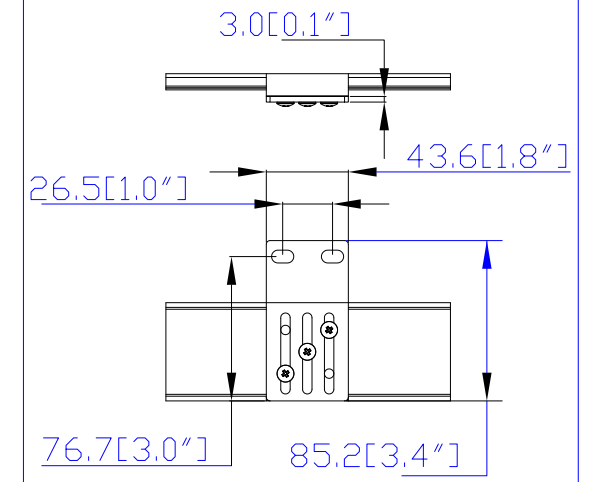
Option 1.



Option 2.

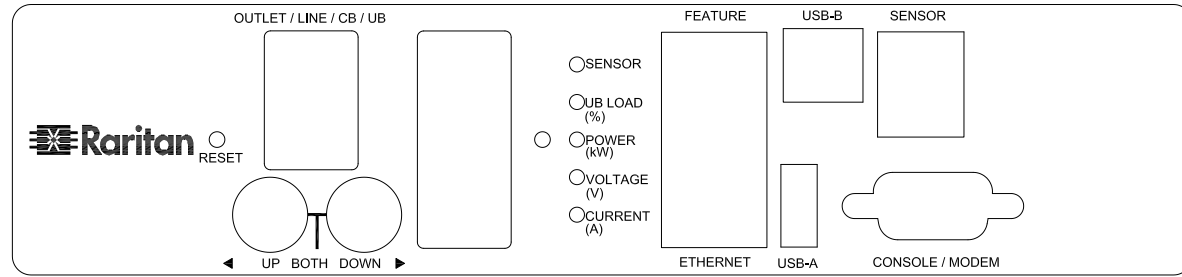


Option 3.

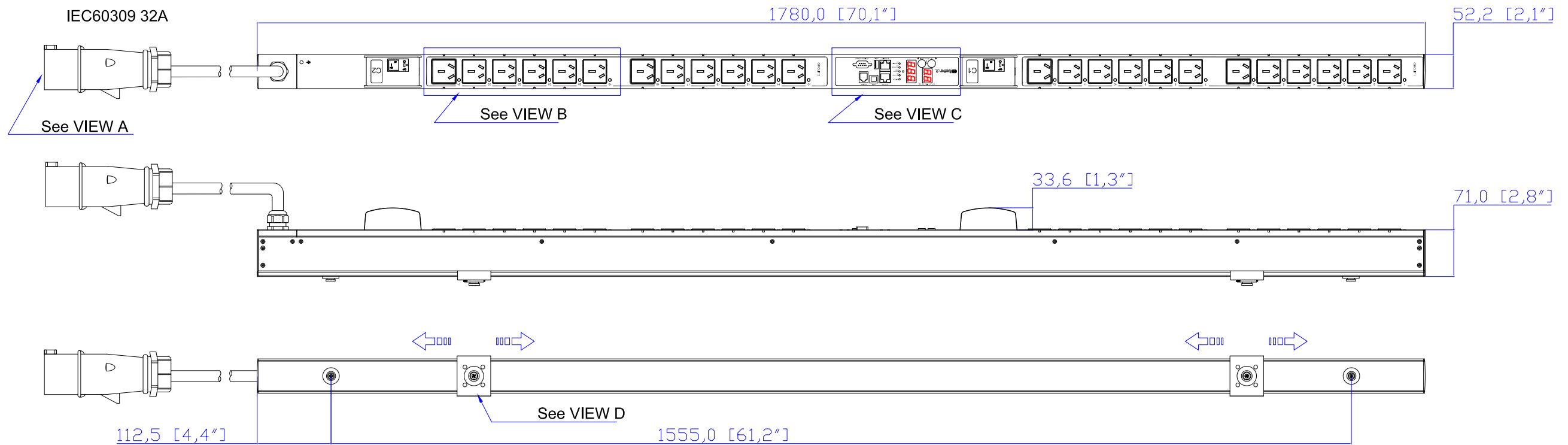


VIEW C

VIEW D



IEC60309 32A



NOTES:
1. ALL DIMENSIONS ARE MILLIMETERS [INCHES].



DRAWN : EVA LIN July 17, 2012
ENGINEER: Kenny_C July 17, 2012
APPROVED: Tom_H July 17, 2012

PROJECTION THIRD ANGLE
DO NOT SCALE DRAWING
SHEET 1 OF 1

THIS DRAWING AND SPECIFICATIONS HEREIN ARE THE PROPERTY OF RARITAN, INC. AND SHALL NOT BE COPIED, REPRODUCED OR USED, IN WHOLE OR IN PART, AS THE BASIS FOR THE MANUFACTURE OR SALE OF ITEMS WITHOUT WRITTEN PERMISSION FROM RARITAN, INC. THIS DRAWING IS BASED UPON LATEST AVAILABLE INFORMATION AND IS SUBJECT TO CHANGE WITHOUT NOTICE.

TITLE:
iPDU Zero U,
Three phase 32A / 200V-240V
Plug Type: IEC309 32A
Outlet Type: (20)CH1-10R+(4)CH1-16R

DWG NO. **MPX2-5890 MPX2-4890** REV. **A**