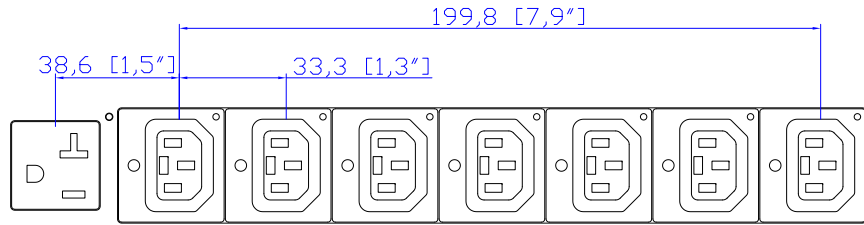
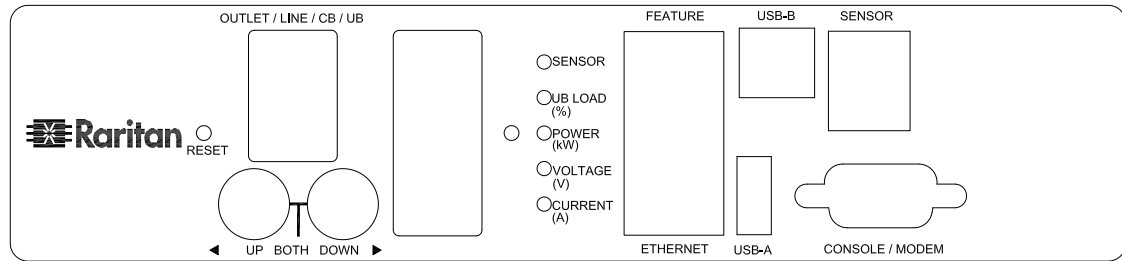


NEMA L21-20P

VIEW A

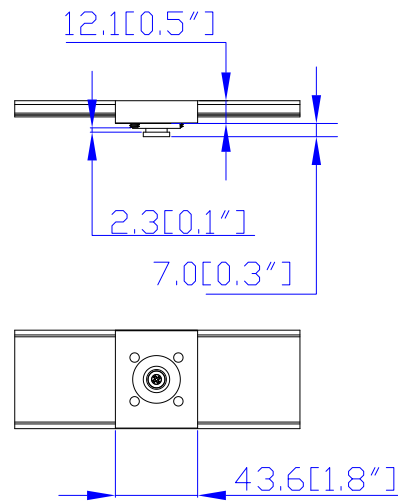


VIEW B

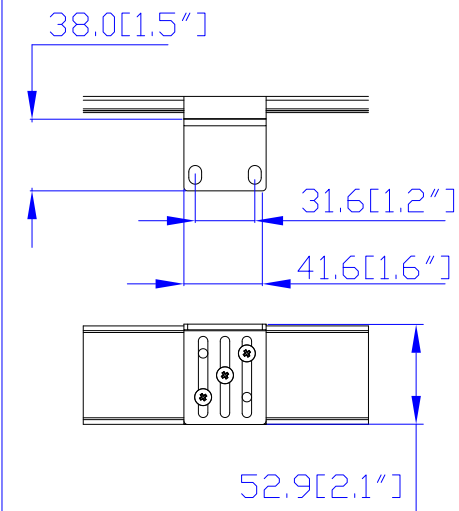


VIEW C

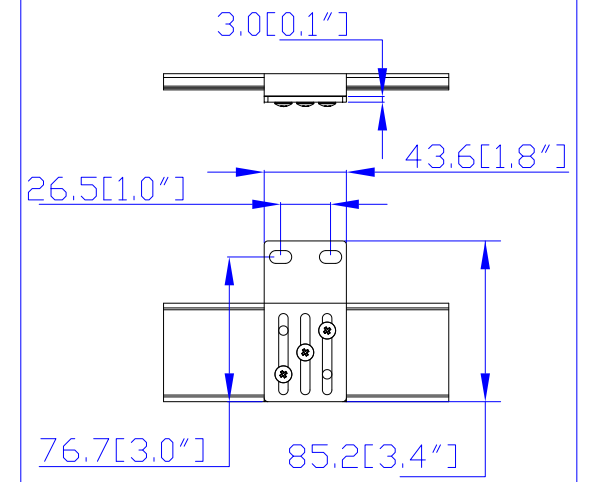
Option 1.



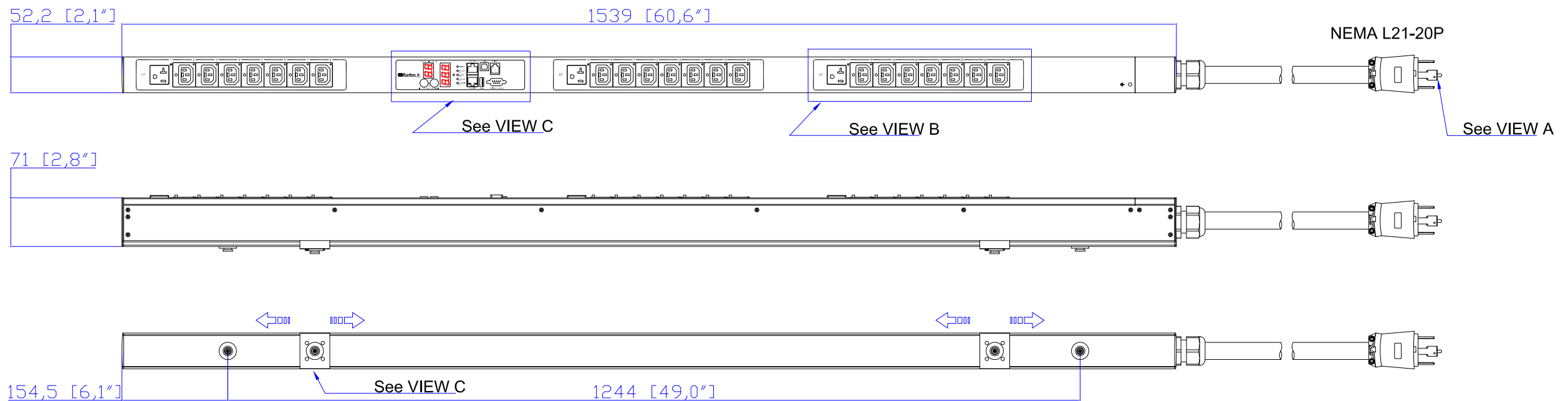
Option 2.



Option 3.



VIEW D



NOTES:
1. ALL DIMENSIONS ARE MILLIMETERS (INCHES).



DO NOT SCALE DRAWING

SHEET 1 OF 1

THIS DRAWING AND SPECIFICATIONS HEREIN ARE THE PROPERTY OF RARITAN, INC. AND SHALL NOT BE COPIED, REPRODUCED OR USED, IN WHOLE OR IN PART, AS THE BASIS FOR THE MANUFACTURE OR SALE OF ITEMS WITHOUT WRITTEN PERMISSION FROM RARITAN, INC. THIS DRAWING IS BASED UPON LATEST AVAILABLE INFORMATION AND IS SUBJECT TO CHANGE WITHOUT NOTICE.

TITLE:
iPDU Zero U,
Three Phase, 16A/190V-208V,
Plug Type: NEMA L21-20P
Outlet Type: (2)190-208V: IEC320 Locking C13
& (3)110-120V: 5-20R

DRAWN : EVA Lin	Dec. 21, 2011
ENGINEER: Kenny_C	Dec. 21, 2011
APPROVED: Tom_H	Dec. 21, 2011

DWG NO. MPX2-5904V-E2 & MPX2-4904V-E2	REV. A
--	-----------