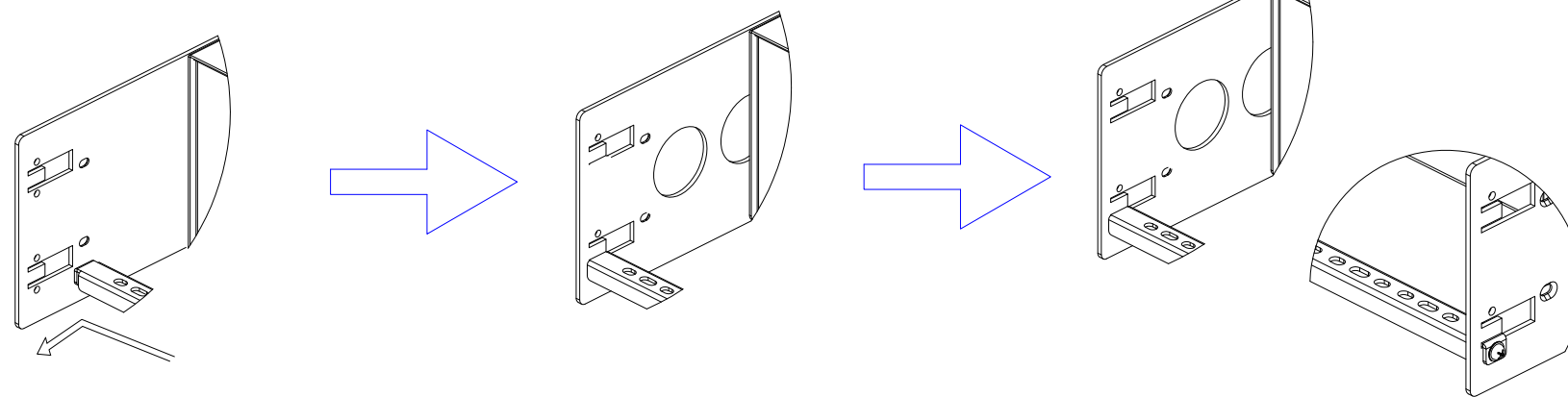


CS8365C

VIEW A

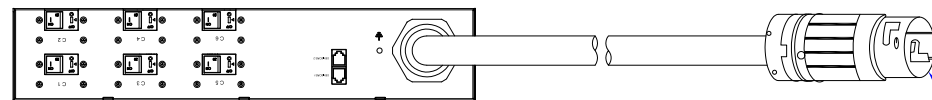


VIEW B

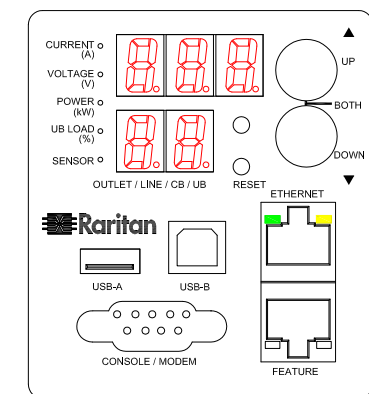
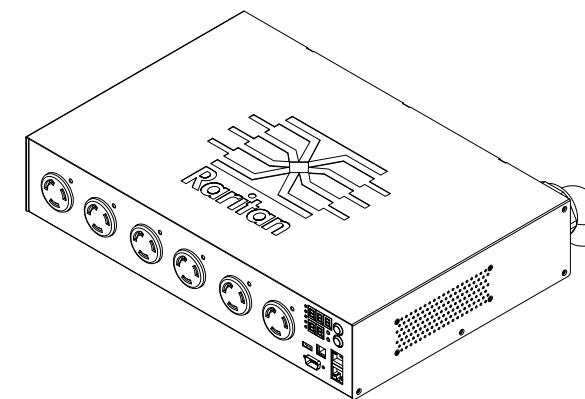
88.1 [3.5"]

365.3 [14.4"]

Rear

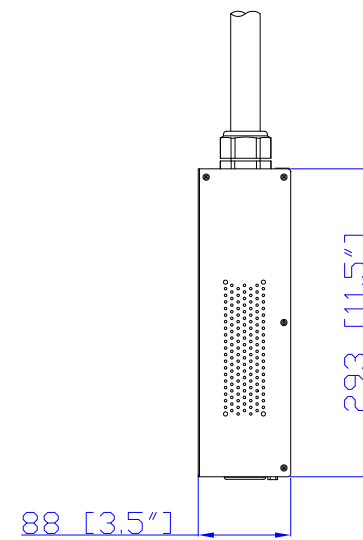
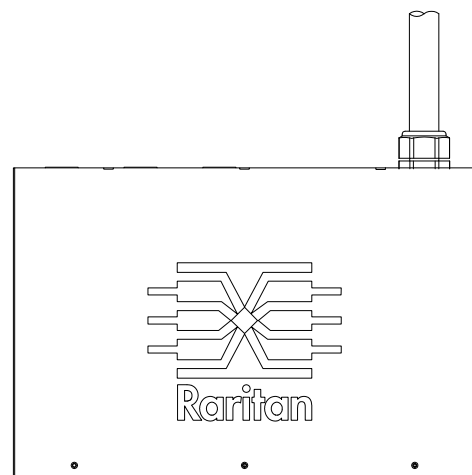


See VIEW A



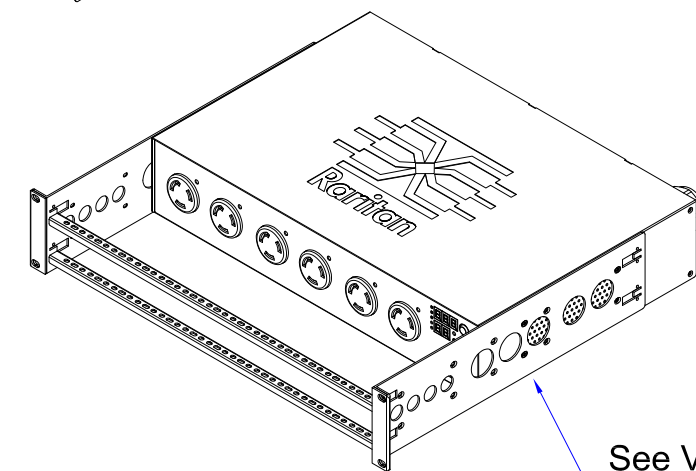
VIEW C

TOP



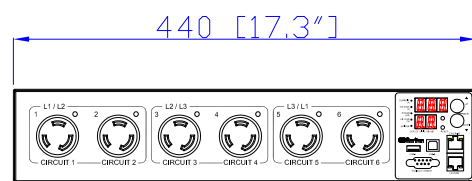
88 [3.5"]

293 [11.5"]



See VIEW B

Front



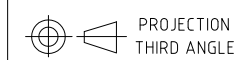
See VIEW C

440 [17.3"]

NOTES:
ALL DIMENSIONS ARE MILLIMETERS[INCHES].



Drawing Maker:	EVA LIN	Jul. 29, 2015
Design Engineer:	Sam_L	Jul. 29, 2015
Approver:	Tom_H	Jul. 29, 2015



PROJECTION
THIRD ANGLE

DO NOT SCALE DRAWING

SHEET 1 OF 1

THIS DRAWING AND SPECIFICATIONS HEREIN ARE THE PROPERTY OF RARITAN, INC. AND SHALL NOT BE COPIED, REPRODUCED OR USED, IN WHOLE OR IN PART, AS THE BASIS FOR THE MANUFACTURE OR SALE OF ITEMS WITHOUT WRITTEN PERMISSION FROM RARITAN, INC. THIS DRAWING IS BASED UPON LATEST AVAILABLE INFORMATION AND IS SUBJECT TO CHANGE WITHOUT NOTICE.

TITLE: iPDU Two U
Three Phase, 40A/208V-240V
Plug Type:CS8365C
Outlet Type:(6)NEMA L6-20R

DWG NO. **MPX2-5939R & MPX2-4939R** REV. **0B**