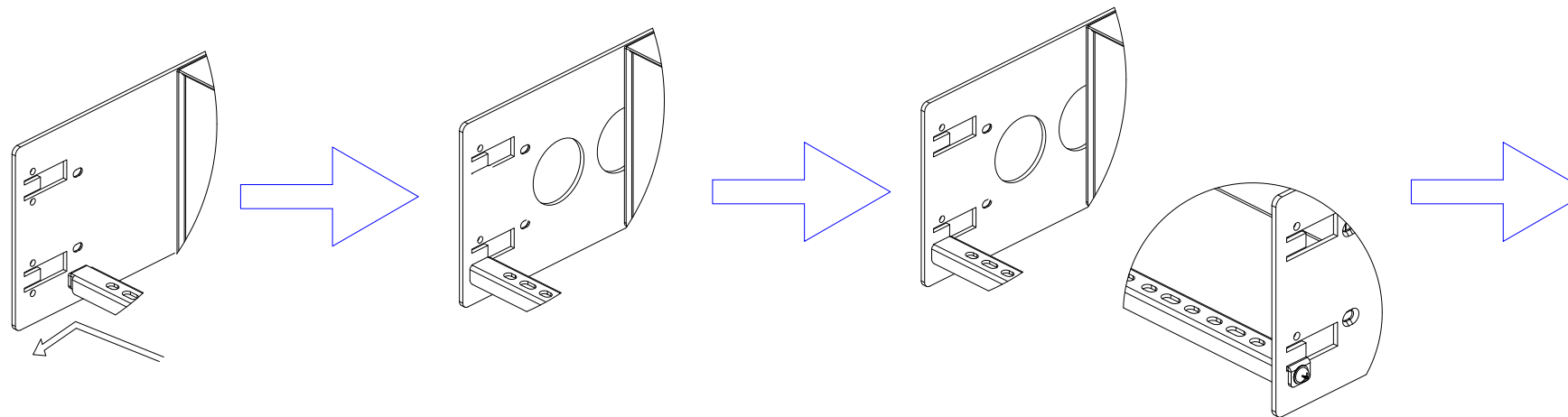
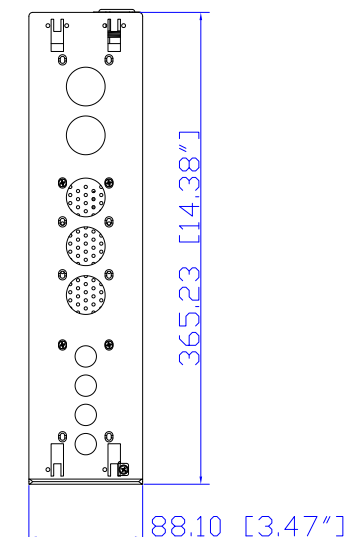


CS8365C

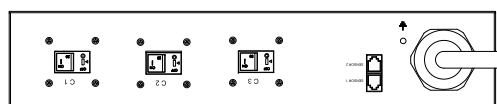
VIEW A



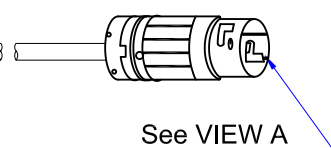
VIEW B



Rear

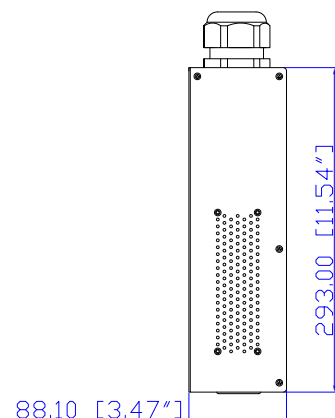
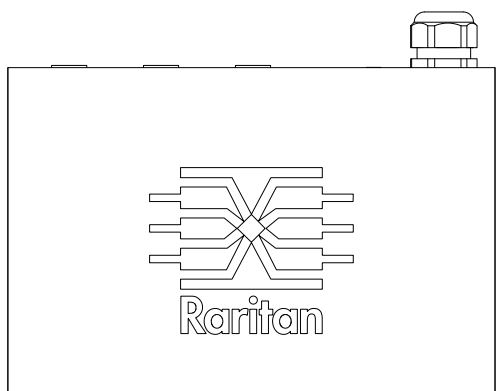


CS8365C

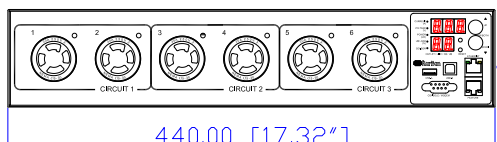


See VIEW A

TOP

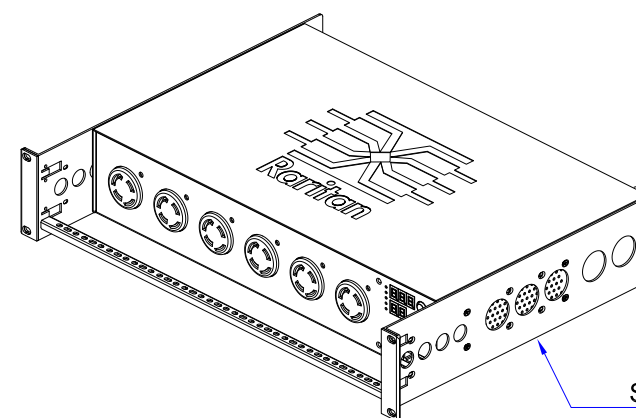
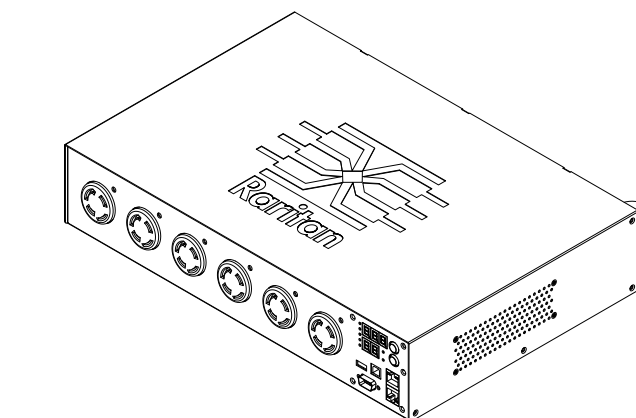


Front

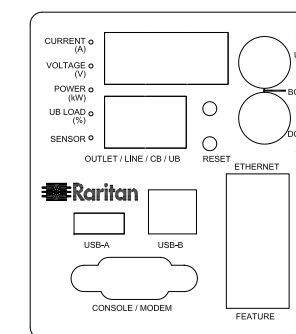


440.00 [17.32"]

See VIEW C



See VIEW B



VIEW C

NOTES:
ALL DIMENSIONS ARE MILLIMETERS(INCHES).



PROJECTION
THIRD ANGLE

DO NOT SCALE DRAWING

SHEET 1 OF 1

THIS DRAWING AND SPECIFICATIONS HEREIN ARE THE PROPERTY OF AMERICAN POWER CONVERSION AND SHALL NOT BE COPIED, REPRODUCED OR USED IN WHOLE OR IN PART, AS THE BASIS FOR THE MANUFACTURE OR SALE OF ITEMS WITHOUT WRITTEN PERMISSION FROM APC. THIS DRAWING IS BASED UPON LATEST AVAILABLE INFORMATION AND IS SUBJECT TO CHANGE WITHOUT NOTICE.

TITLE: iPDU Two U,
Three phase, 40A/208V-240V
Plug Type : CS8365C
OutputType:(6) NEMA L15-30R

DRAWN :	Eva_L	Jun, 05,2012
ENGINEER:	Sam_L	Jun, 05,2012
APPROVED:	Tom_H	Jun, 05,2012

DWG NO.	MPX2-5992R & MPX2-4992R	REV.	A
---------	-------------------------	------	---