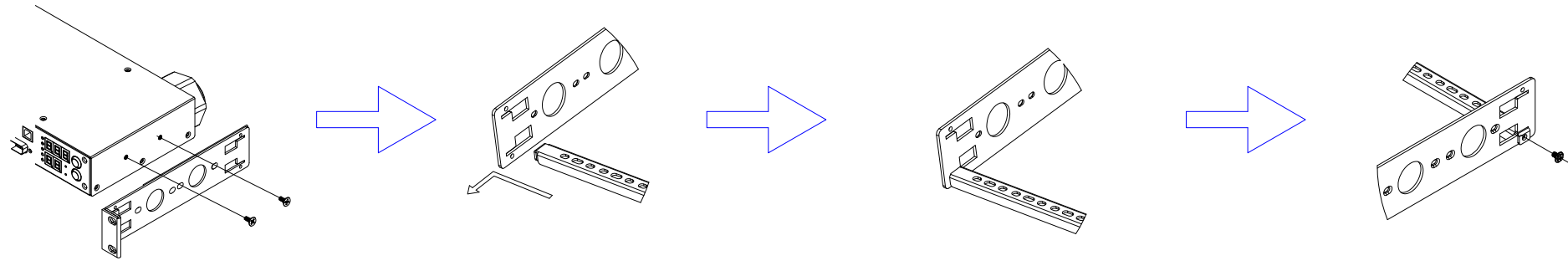
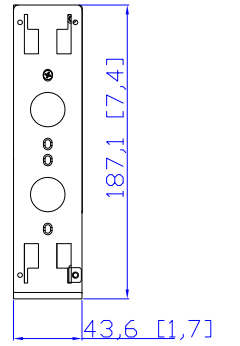


IEC60309 32A

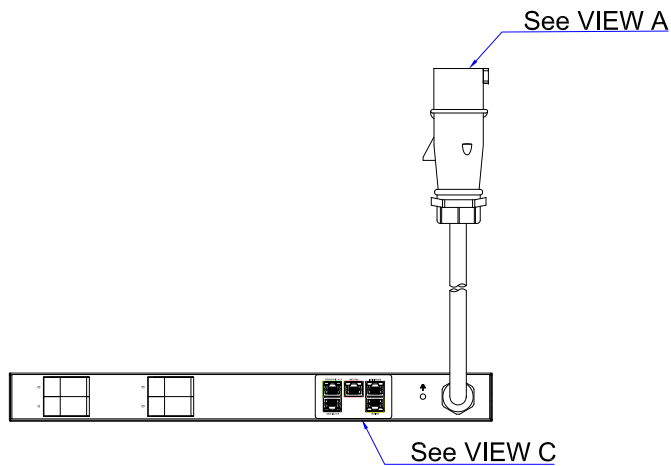
VIEW A



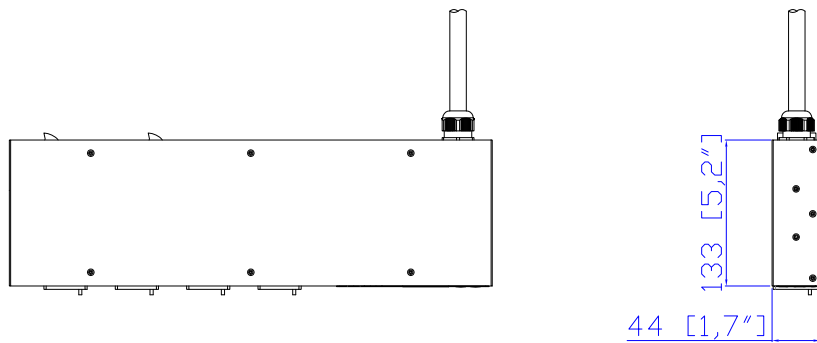
VIEW B



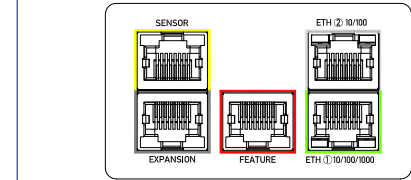
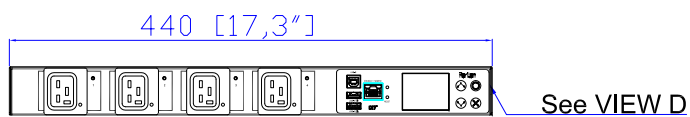
Rear



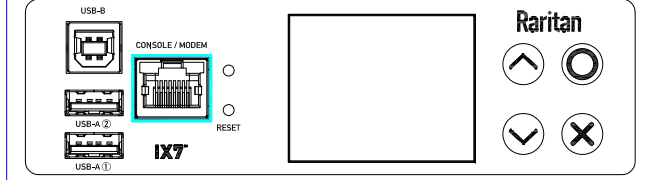
TOP



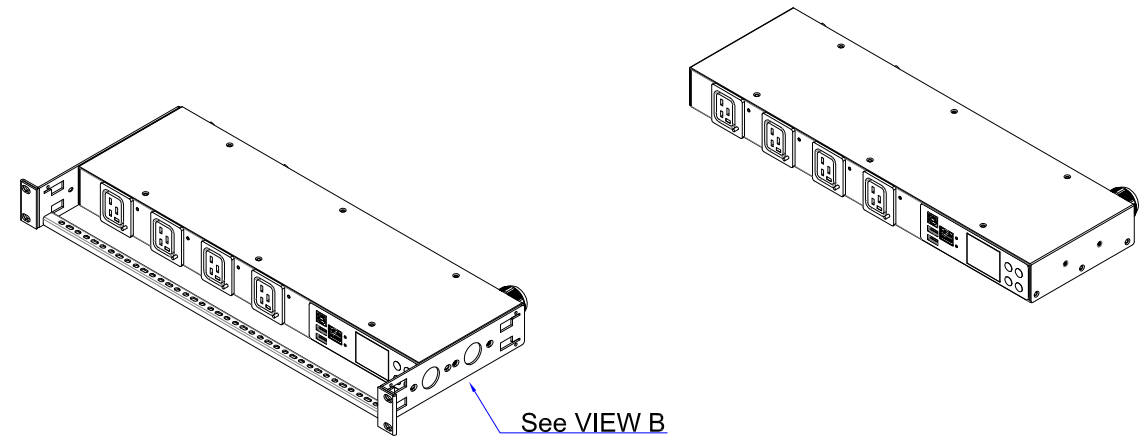
Front



VIEW C (Rotated 180 degrees)



VIEW D



NOTES:

1. INSTALLATION SHALL COMPLY WITH ALL APPLICABLE NATIONAL, STATE AND LOCAL CODES.
2. PLEASE REFER TO PRODUCT DOCUMENTATION FOR FURTHER INFORMATION.
3. UNLESS OTHERWISE SPECIFIED, ALL DIMENSIONS ARE IN MILLIMETERS (INCHES).
4. MOUNTING BUTTON IS AN ALTERNATIVE MOUNTING METHOD TO THE TOOLLESS MOUNT FOR 3RD PARTY ENCLOSURE. BUTTON IS PROVIDED WITH THE UNIT. DETAILED INSTALLATION INSTRUCTIONS CAN BE FOUND IN THE PROVIDED MANUAL.
5. BRACKET KITS TO MOUNT TO SPECIFIC 3RD PARTY ENCLOSURES ARE AVAILABLE AS OPTIONS.
6. RARITAN STANDARD LENGTH OF THE CORD IS 3000MM +/-70MM
7. DIMENSION TOLERANCE: LENGTH +/-3MM, WIDTH +/-1MM, DEPTH +/-0,5MM

<p>A brand of legrand</p>		PROJECTION THIRD ANGLE DO NOT SCALE DRAWING SHEET 1 OF 1	SPECIFICATION iPDU One U Single phase, 32A / 200-240V Plug Type: IEC60309 32A Outlet Type: Locking C19 (4)	
			Drawing Maker: EVA LIN Oct. 02, 2019 Design Engineer: Kenny_C Oct. 02, 2019 Approver: Tom_H Oct. 02, 2019	DWG NO.: MPX3-1092R-E2F12 MODEL NO.: PX3-1092R-E2F12