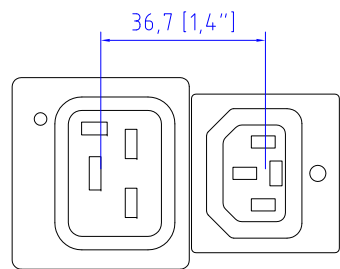


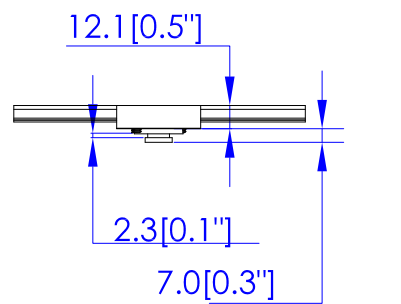
IEC60309 16A

VIEW A

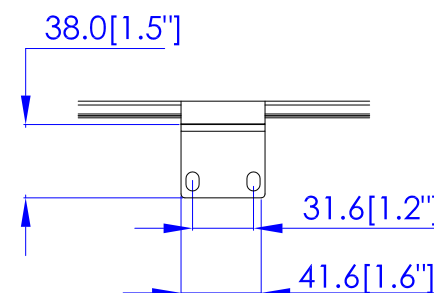


VIEW B

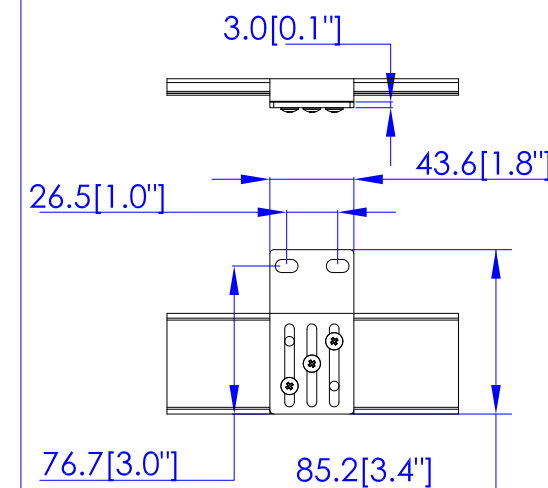
Option 1.



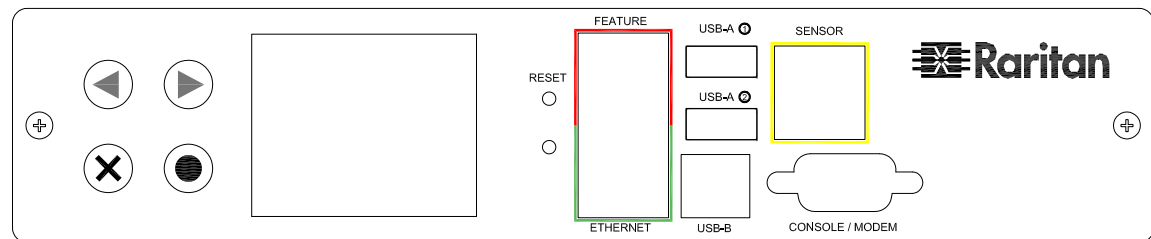
Option 2.



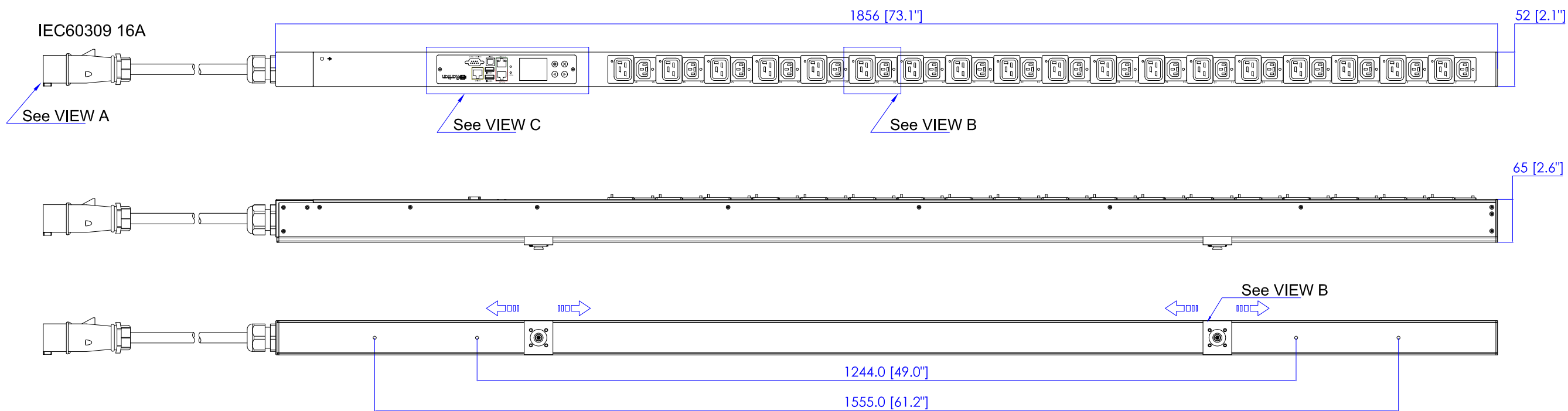
Option 3.



VIEW D



VIEW C



NOTES:

1. ALL DIMENSIONS ARE MILLIMETERS [INCHES].



DO NOT SCALE DRAWING

SHEET 1 OF 1

THIS DRAWING AND SPECIFICATIONS HEREIN ARE THE PROPERTY OF RARITAN, Inc. AND SHALL NOT BE COPIED, REPRODUCED OR USED, IN WHOLE OR IN PART, AS THE BASIS FOR THE MANUFACTURE OR SALE OF ITEMS WITHOUT WRITTEN PERMISSION FROM RARITAN, Inc. THIS DRAWING IS BASED UPON LATEST AVAILABLE INFORMATION AND IS SUBJECT TO CHANGE WITHOUT NOTICE.

TITLE:
iPDU One U
Single Phase, 16A/200V-240V
Plug Type: IEC60309 16A
Outlet Type: (18)Locking C13, (18)Locking C19

DWG NO. **MPX3-1133U-E2H4N1** REV. **0A**

Drawing Maker: EVA LIN	Dec. 04, 2014
Design Engineer: Kenny_C	Dec. 04, 2014
Approver: Tom_H	Dec. 04, 2014