

## Technical Specifications / Engineering Submittals

Raritan Model Number: PX3-1361U-N1Q1V2

rev20200701

### LINE DRAWING



### FEATURES

|                                     |  |
|-------------------------------------|--|
| Energy Metering                     | Voltage (V), Current (A), Active Power (kW), Real Power (kVA), Energy (kWh), Power Factor  |
| Metering Accuracy                   | ISO/IEC 62053-21 1%  |
| Metering per Input Line             | Yes  |
| Metering per Branch Circuit Breaker | Yes  |
| Metering per Output Receptacle      | No   |
| Remote Outlet Switching             | No   |
| Environmental Sensor Ready          | Yes  |
| Replaceable Controller              | Yes  |
| Compatible Sensors                  | Temperature, Humidity, Air Flow, Differential Pressure, Water Leak, and Contact Closure  |
| Networking                          | Gigabit (10/100/1000 BaseT) Ethernet port; secondary, redundant (10/100/1000 BaseT) Ethernet port. Optional WiFi (802.11a/b/g/n)   |
| Remote Management                   | HTTP(s); SSH; Telnet; RS-232 (Serial); Power IQ; SNMP version v2/v3; SMTP; JSON-RPC; Modbus over TCP   |
| Cascading                           | Yes, Max 16 PDUs can be daisy chained using a single Ethernet or USB connection  |
| Onboard Display                     | Color, matrix LCD display : Voltage, current, or active power (per line or per breaker); Alarms; Configuration information (name, ratings, IP / Networking information); Auto-flip orientation |
| Embedded Processor                  | ARM Cortex A5 500MHZ (Atmel A5D21C), 16MB SPI Flash, 128MB DDR2 RAM  |

## Technical Specifications / Engineering Submittals

Raritan Model Number: PX3-1361U-N1Q1V2

rev20200701

### INPUT

|                       |                                  |
|-----------------------|----------------------------------|
| Input Plug            | IEC 60309 3P+E 9h 60A (3P4W)     |
| Cord Length           | 3 meters (9.84 feet) standard    |
| Cord Entry            | Top-end feed                     |
| Cable Type            | IP67("Watertight")               |
| Number of Power Cords | 1                                |
| Maximum Input Current | 60A                              |
| Nominal Input Voltage | 208V 3 phase                     |
| Rated Input Voltage   | 208 - 240V 3 phase               |
| Input Frequency       | 50/60Hz                          |
| Power Capacity        | 17.3kVA at 208V, 20.0kVA at 240V |

### OUTPUT

|                                  |   |
|----------------------------------|---|
| Nominal Output Voltage           | 208V  |
| Rated Output Voltage             | 208 - 240V                                  |
| Receptacles (Output Connections) | (36) IEC320 C13, 12A<br>(6) IEC320 C19, 16A |
| Securelock Support               | No  |
| Cord Retention                   | Yes   |
| Overload Protection              | (6) LEGBXA66-20                             |

### PHYSICAL

|                             |  |
|-----------------------------|--|
| Color                       | Black powder coat (custom colors available)      |
| Unit Dimensions (WxDxH)     | 2.3" x 2.0" x 79.9" ; 59mm x 51mm x 2030mm       |
| Unit Weight                 | 13 kg  |
| Shipping Weight             | 17.1 kg  |
| Shipping Dimensions (WxDxH) | 16.73" x 5.31" x 96.65" ; 425mm x 135mm x 2455mm |
| Mounting                    | Tool-less button mount                           |

## Technical Specifications / Engineering Submittals

Raritan Model Number: PX3-1361U-N1Q1V2

rev20200701

### ENVIRONMENTAL

---

|                             |             |
|-----------------------------|-------------|
| Operating Temperature       | 60°C        |
| Operating Relative Humidity | 85%         |
| Operating Elevation         | 0-6000ft    |
| Storage Temperature         | -25 to 65°C |
| Storage Humidity            | 0-100%      |
| Storage Elevation           | 0-10000ft   |

---

### CONFORMANCE

---

|                      |   |
|----------------------|---|
| Regulatory Approvals | UL Listed, Canada ICES-003, Part 15 Class A of the FCC rules, RoHS compliant      |
| Warranty             | Standard 2 years manufacturer warranty (Extended warranty available for purchase) |

---

## Technical Specifications / Engineering Submittals

Raritan Model Number: PX3-1361U-N1Q1V2

rev20200701

### CONTROL PANEL

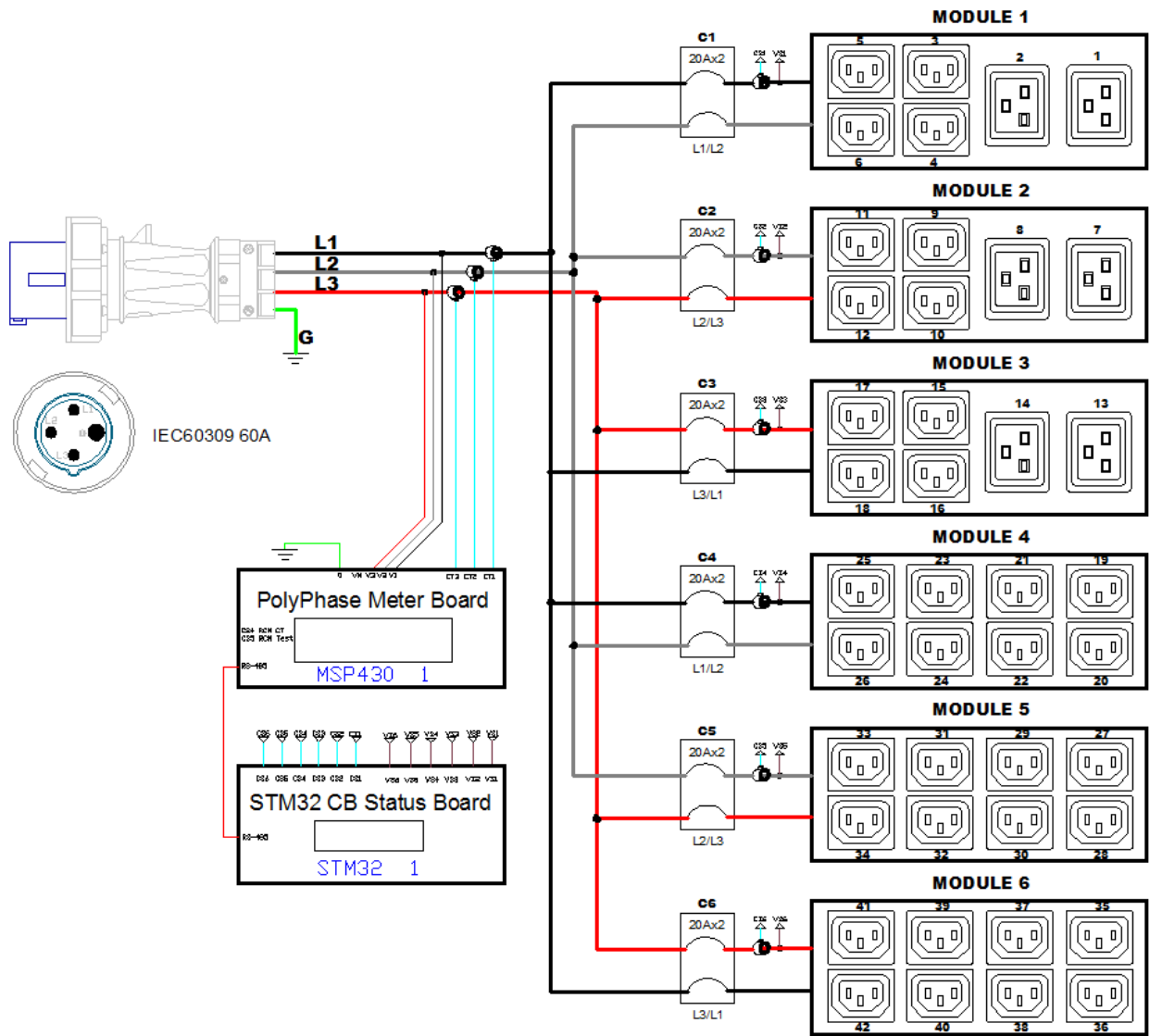


## Technical Specifications / Engineering Submittals

Raritan Model Number: PX3-1361U-N1Q1V2

rev20200701

### ELECTRICAL (ONE LINE) DIAGRAM

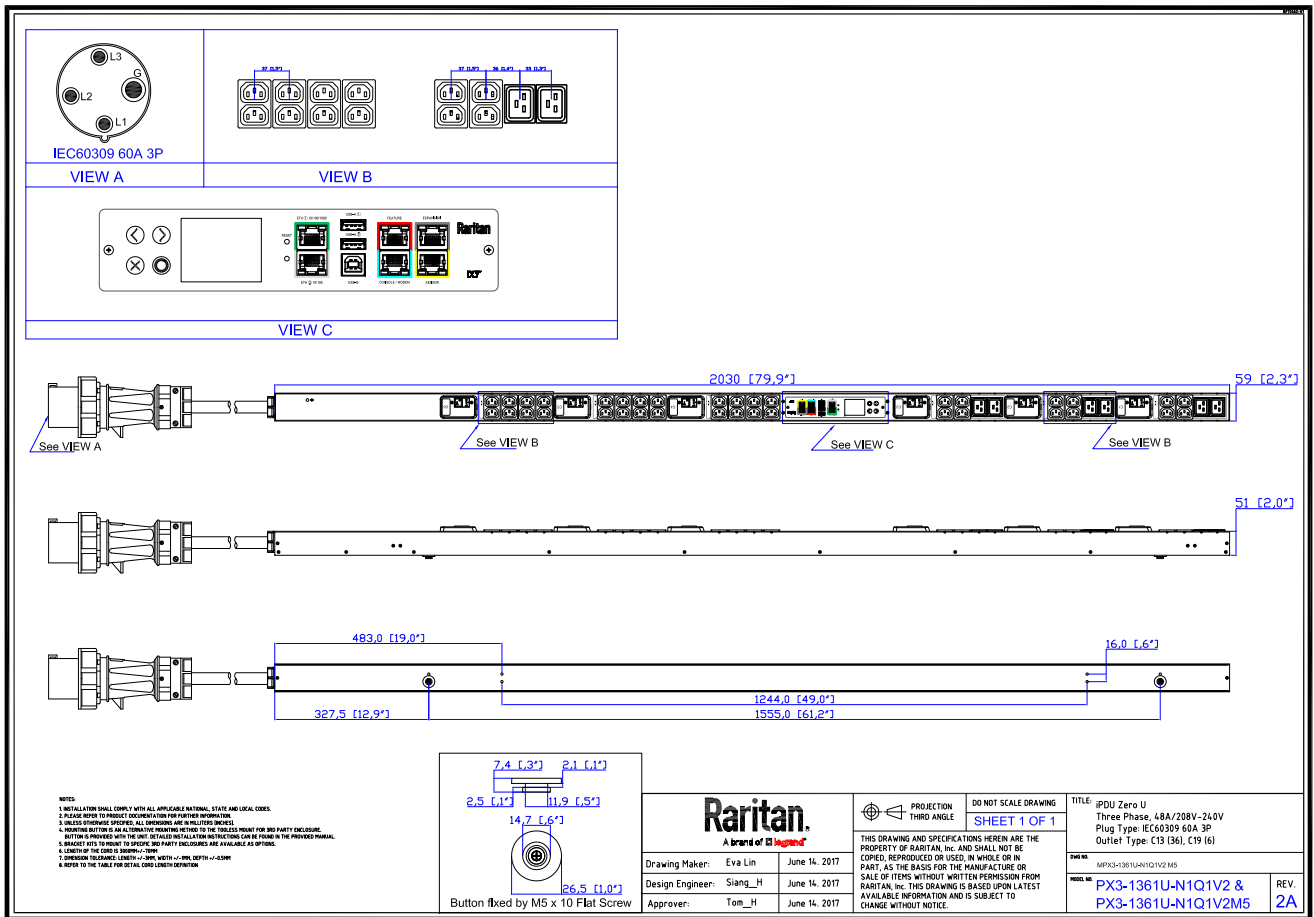


## Technical Specifications / Engineering Submittals

Raritan Model Number: PX3-1361U-N1Q1V2

rev20200701

### MECHANICAL DIAGRAM

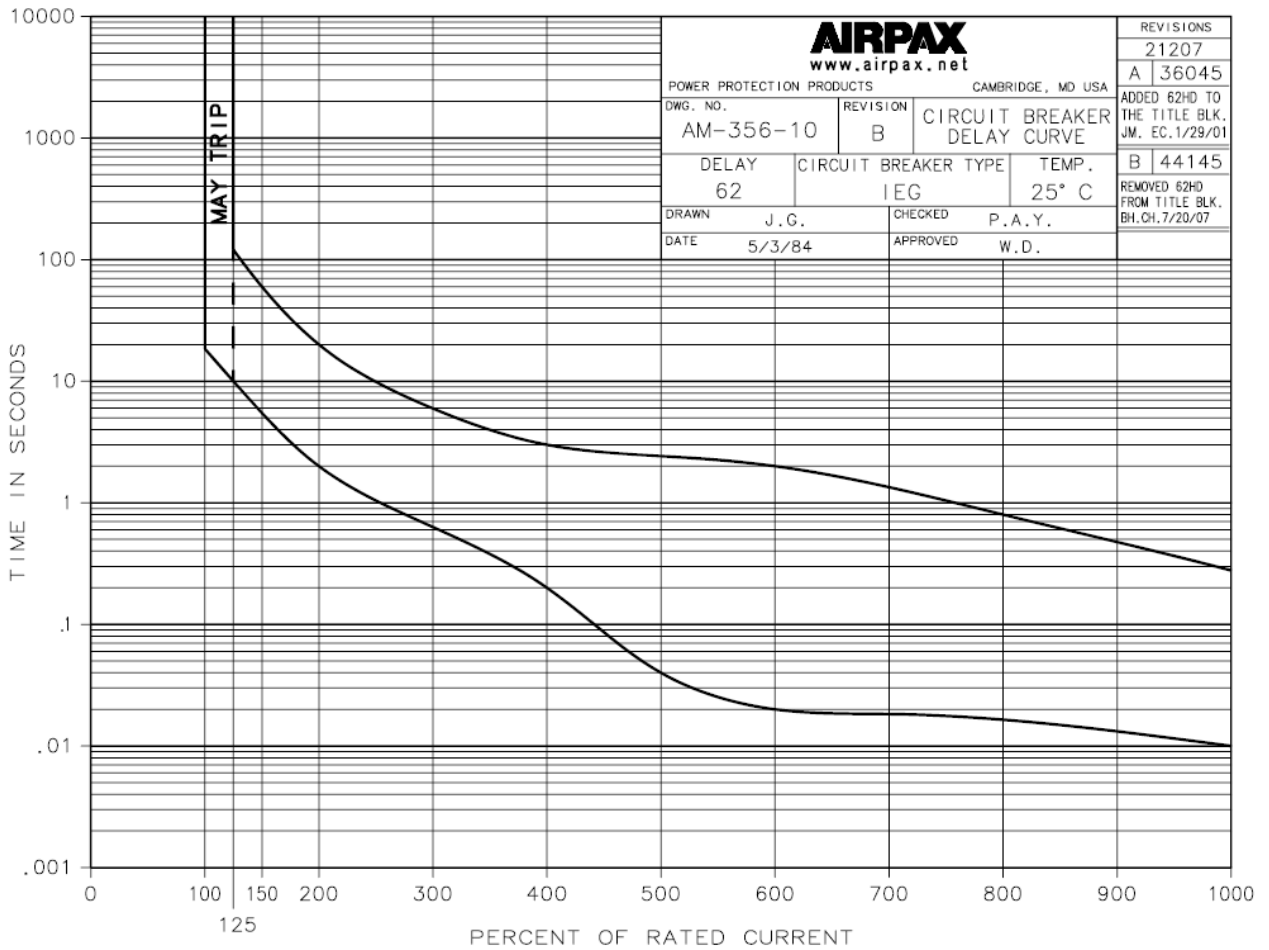


**Technical Specifications / Engineering Submittals**

Raritan Model Number: PX3-1361U-N1Q1V2

rev20200701

**TRIP CURVE**



This file generated on: Wed, July 01, 2020 - 07:03:09