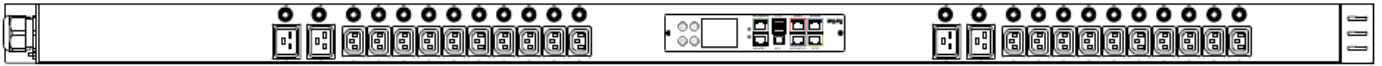


Technical Specifications / Engineering Submittals

Raritan Model Number: PX3-1493V-F8

rev20200701

LINE DRAWING



FEATURES

Energy Metering	Voltage (V), Current (A), Active Power (kW), Real Power (kVA), Energy (kWh), Power Factor
Metering Accuracy	ISO/IEC 62053-21 1%
Metering per Input Line	Yes
Metering per Branch Circuit Breaker	Yes
Metering per Output Receptacle	No
Remote Outlet Switching	No
Environmental Sensor Ready	Yes
Replaceable Controller	Yes
Compatible Sensors	Temperature, Humidity, Air Flow, Differential Pressure, Water Leak, and Contact Closure
Networking	Gigabit (10/100/1000 BaseT) Ethernet port; secondary, redundant (10/100/1000 BaseT) Ethernet port. Optional WiFi (802.11a/b/g/n)
Remote Management	HTTP(s); SSH; Telnet; RS-232 (Serial); Power IQ; SNMP version v2/v3; SMTP; JSON-RPC; Modbus over TCP
Cascading	Yes, Max 16 PDUs can be daisy chained using a single Ethernet or USB connection
Onboard Display	Color, matrix LCD display : Voltage, current, or active power (per line or per breaker); Alarms; Configuration information (name, ratings, IP / Networking information); Auto-flip orientation
Embedded Processor	ARM Cortex A5 500MHZ (Atmel A5D21C), 16MB SPI Flash, 128MB DDR2 RAM

Technical Specifications / Engineering Submittals

Raritan Model Number: PX3-1493V-F8

rev20200701

INPUT

Input Plug	IEC 60309 2P+E 6h 32A (2P3W)
Cord Length	3 meters (9.84 feet) standard
Cord Entry	Bottom-bottom feed
Cable Type	IP44("splashproof")
Number of Power Cords	1
Maximum Input Current	32A
Nominal Input Voltage	230V
Rated Input Voltage	200 - 240V
Input Frequency	50/60Hz
Power Capacity	6.4kVA at 200V, 7.7kVA at 240V

OUTPUT

Nominal Output Voltage	230V
Rated Output Voltage	200 - 240V
Receptacles (Output Connections)	(20) IEC320 C13, 10A (4) IEC320 C19, 16A
Securelock Support	Yes
Cord Retention	No
Overload Protection	(20) RFMB-10; (4) RFMB-16

PHYSICAL

Color	Black powder coat (custom colors available)
Unit Dimensions (WxDxH)	2.8" x 2.4" x 60.6" ; 70mm x 60mm x 1539mm
Unit Weight	6.5 kg
Shipping Weight	9.5 kg
Shipping Dimensions (WxDxH)	14.37" x 5.31" x 75.59" ; 365mm x 135mm x 1920mm
Mounting	Tool-less button mount

Technical Specifications / Engineering Submittals

Raritan Model Number: PX3-1493V-F8

rev20200701

ENVIRONMENTAL

Operating Temperature	60°C
Operating Relative Humidity	85%
Operating Elevation	0-10000ft
Storage Temperature	-25 to 65°C
Storage Humidity	0-100%
Storage Elevation	0-10000ft

CONFORMANCE

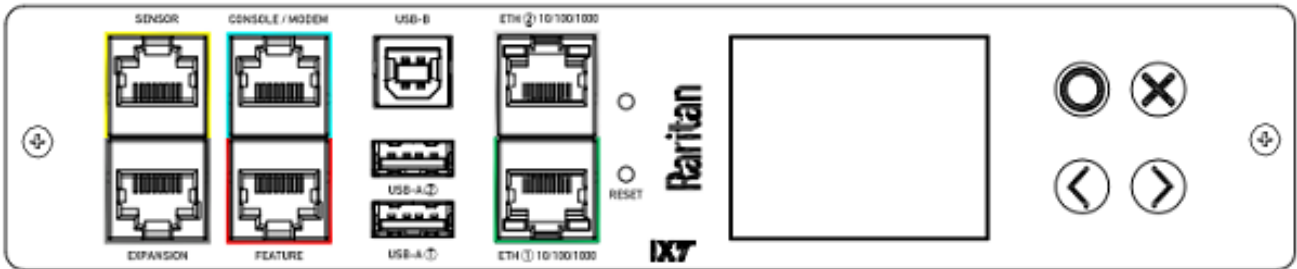
Regulatory Approvals	CE, Canada ICES-003, Part 15 Class A of the FCC rules, RoHS compliant
Warranty	Standard 2 years manufacturer warranty (Extended warranty available for purchase)

Technical Specifications / Engineering Submittals

Raritan Model Number: PX3-1493V-F8

rev20200701

CONTROL PANEL

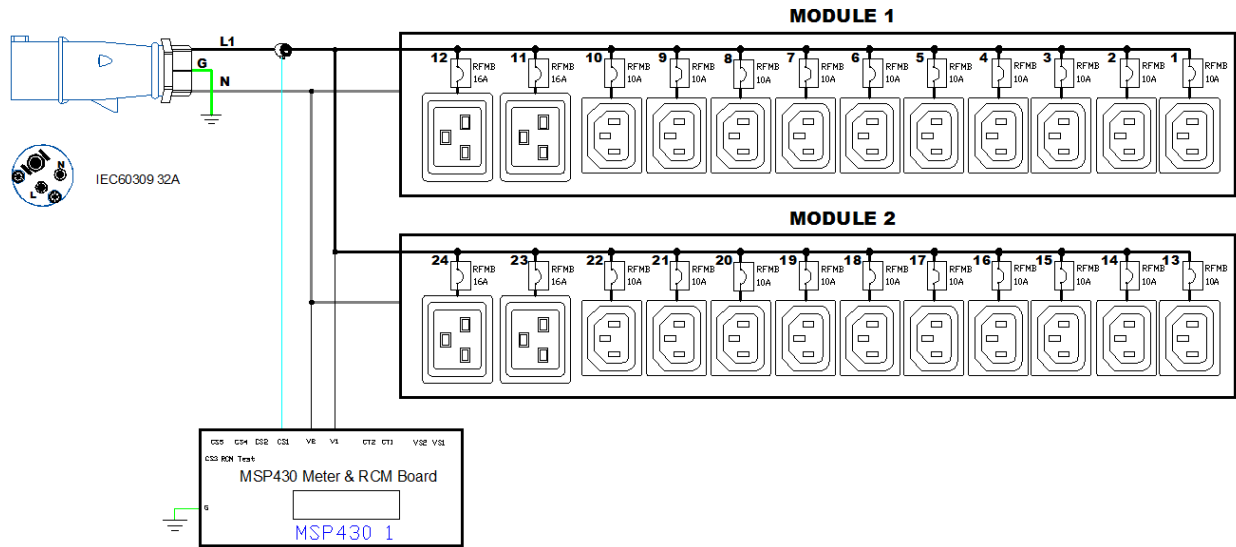


Technical Specifications / Engineering Submittals

Raritan Model Number: PX3-1493V-F8

rev20200701

ELECTRICAL (ONE LINE) DIAGRAM

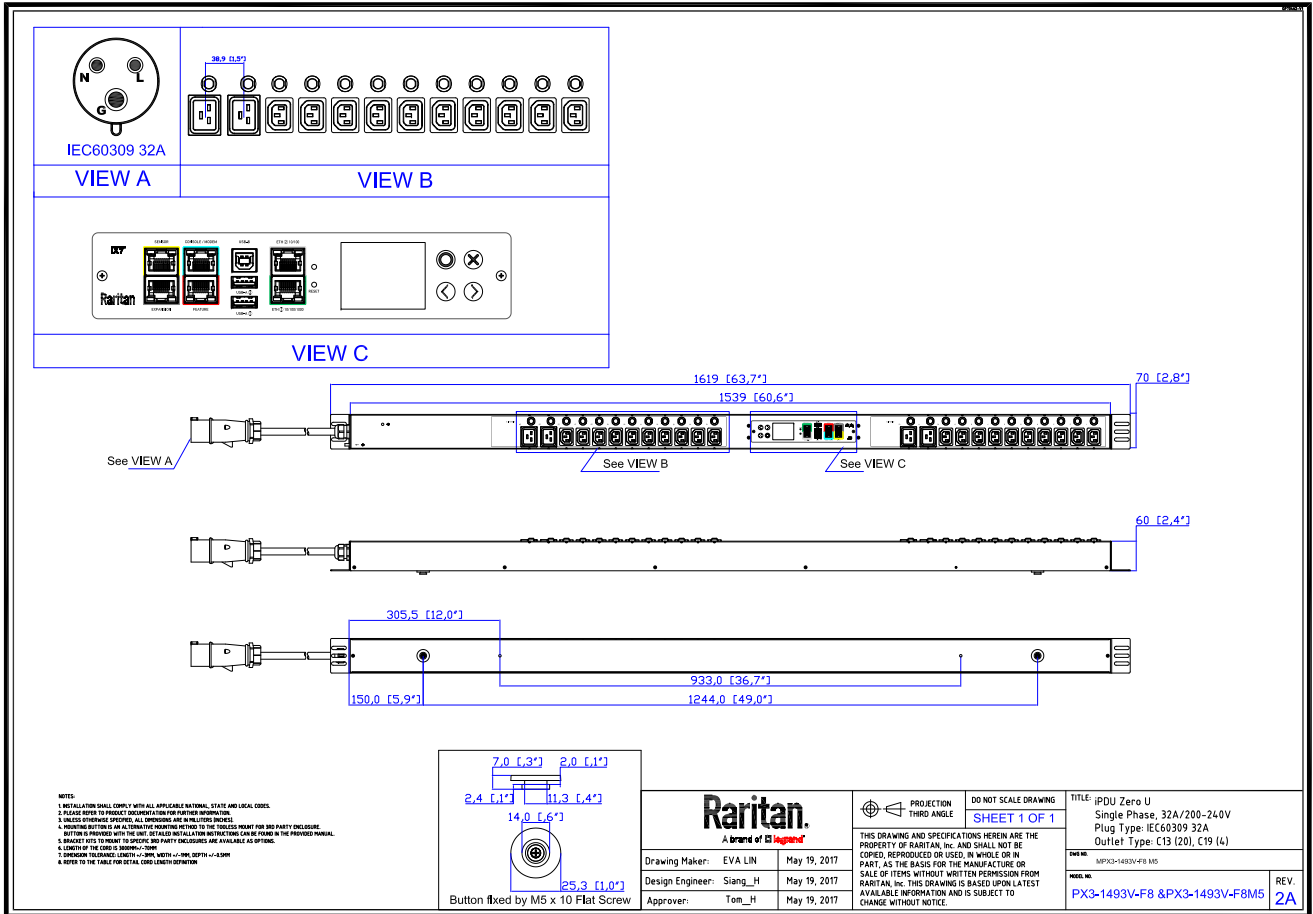


Technical Specifications / Engineering Submittals

Raritan Model Number: PX3-1493V-F8

rev20200701

MECHANICAL DIAGRAM



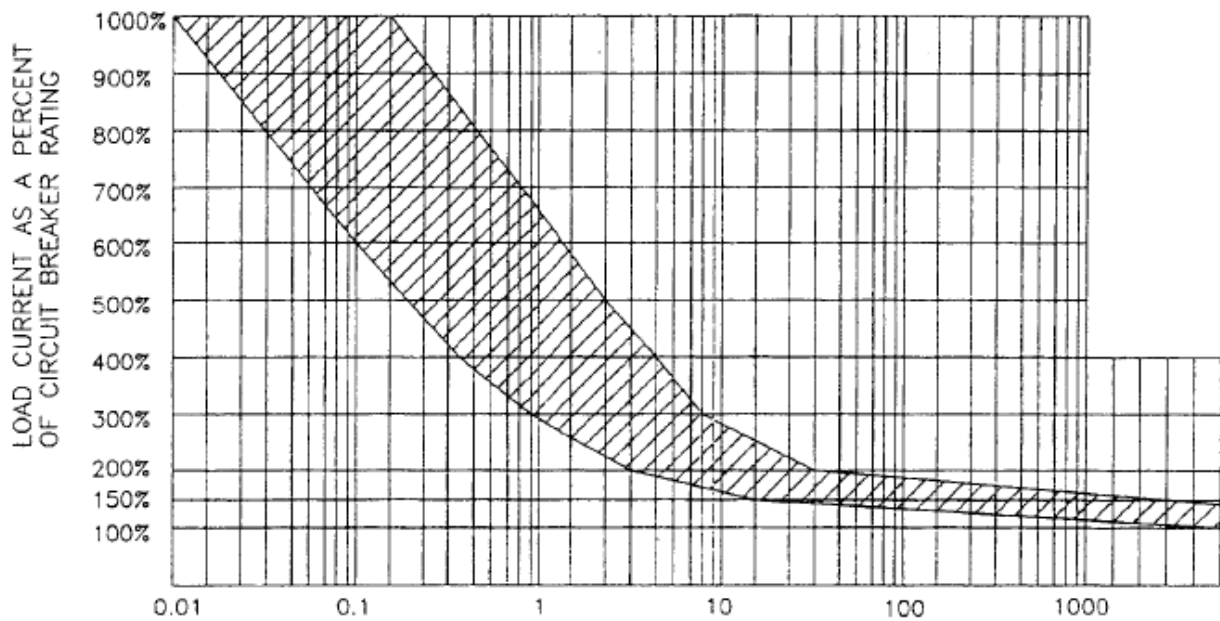
Technical Specifications / Engineering Submittals

Raritan Model Number: PX3-1493V-F8

rev20200701

TRIP CURVE

Trip Curves



TRIP TIME FACTOR	
-10°C	X1.70
-5°C	X1.60
0°C	X1.50
5°C	X1.40
10°C	X1.30
15°C	X1.20
20°C	X1.10
25°C	X1.00

TRIP TIME FACTOR	
30°C	X0.90
35°C	X0.85
40°C	X0.80
45°C	X0.75
50°C	X0.70
55°C	X0.65
60°C	X0.60

OVERLOAD	TRIP TIME
100 %	NO TRIP
150 %	TRIP IN 1 HR
200 %	4.0~40 sec
300 %	0.9~8.0 sec
400 %	0.42~5.0 sec
500 %	0.25~3.0 sec
600 %	0.1~1.8 sec