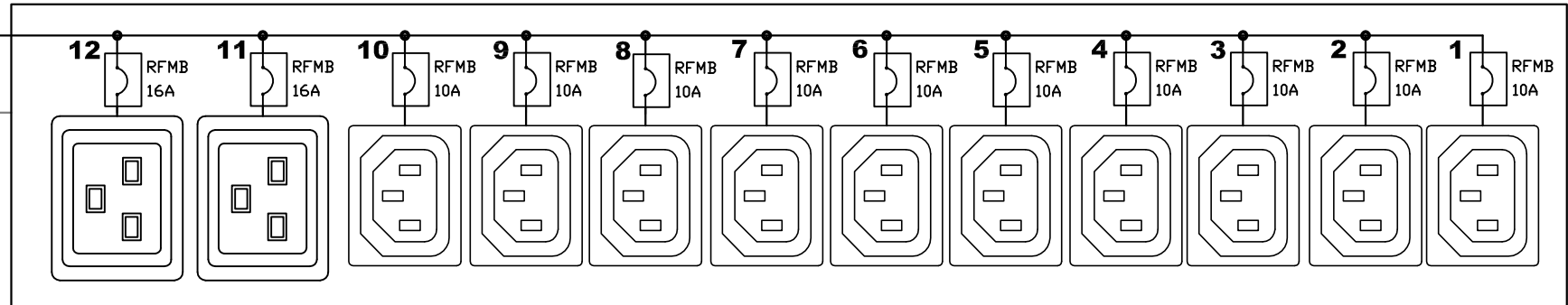
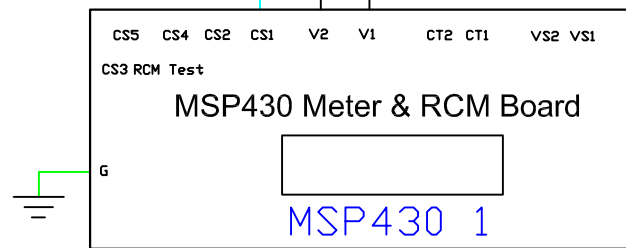
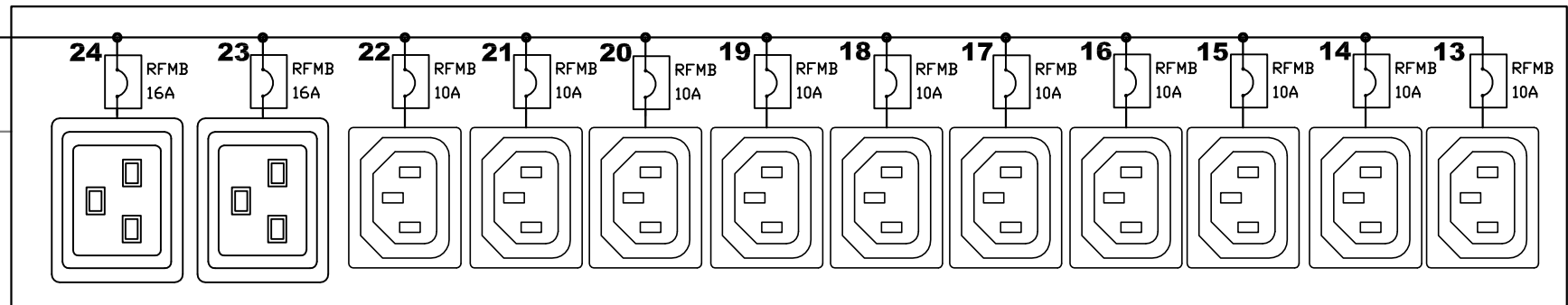


IEC60309 32A

MODULE 1



MODULE 2



<p>A brand of Legrand</p>	PROJECTION THIRD ANGLE	DO NOT SCALE DRAWING	TITLE: iPDU 0U, Metered only, Single phase 32A / 200-240V Input : IEC60309 32A Output : (20) C13, (4) C19
		SHEET 1 OF 1	
Drawing Maker: Caspar Design Engineer: Approver: Alex Lee	MAR/13/2015 MAR/13/2015	THIS DRAWING AND SPECIFICATIONS HEREIN ARE THE PROPERTY OF RARITAN, INC. AND SHALL NOT BE COPIED, REPRODUCED OR USED, IN WHOLE OR IN PART, AS THE BASIS FOR THE MANUFACTURE OR SALE OF ITEMS WITHOUT WRITTEN PERMISSION FROM RARITAN, INC. THIS DRAWING IS BASED UPON LATEST AVAILABLE INFORMATION AND IS SUBJECT TO CHANGE WITHOUT NOTICE.	DWG NO. TPX3-1493-F8
			REV. 2A