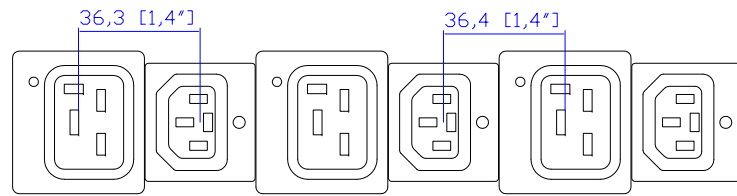


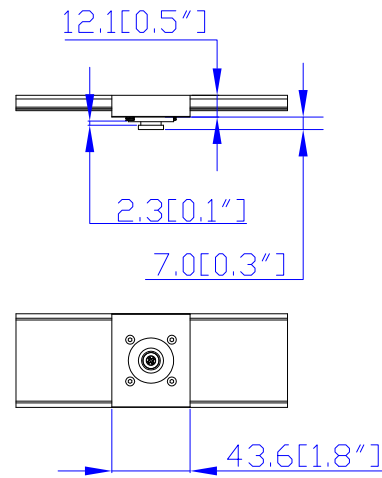
IEC60309 32A 3PY

VIEW A

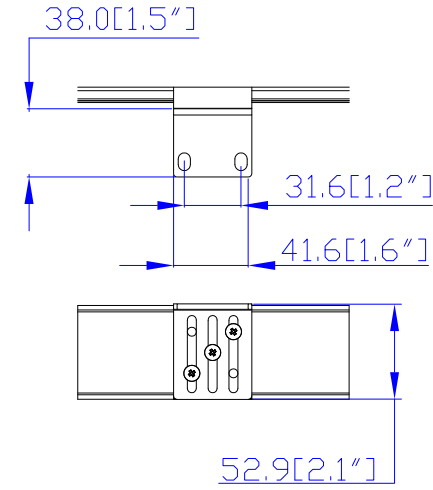


VIEW B

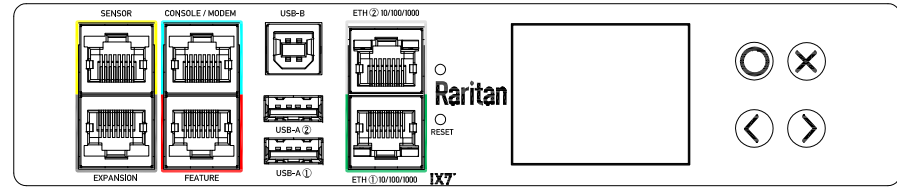
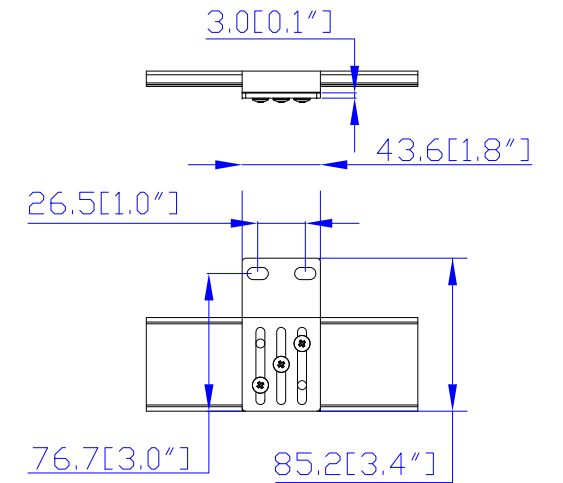
Option 1.



Option 2.

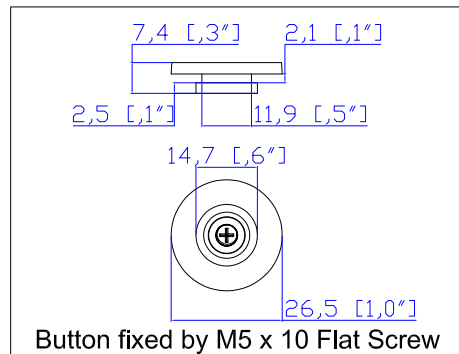
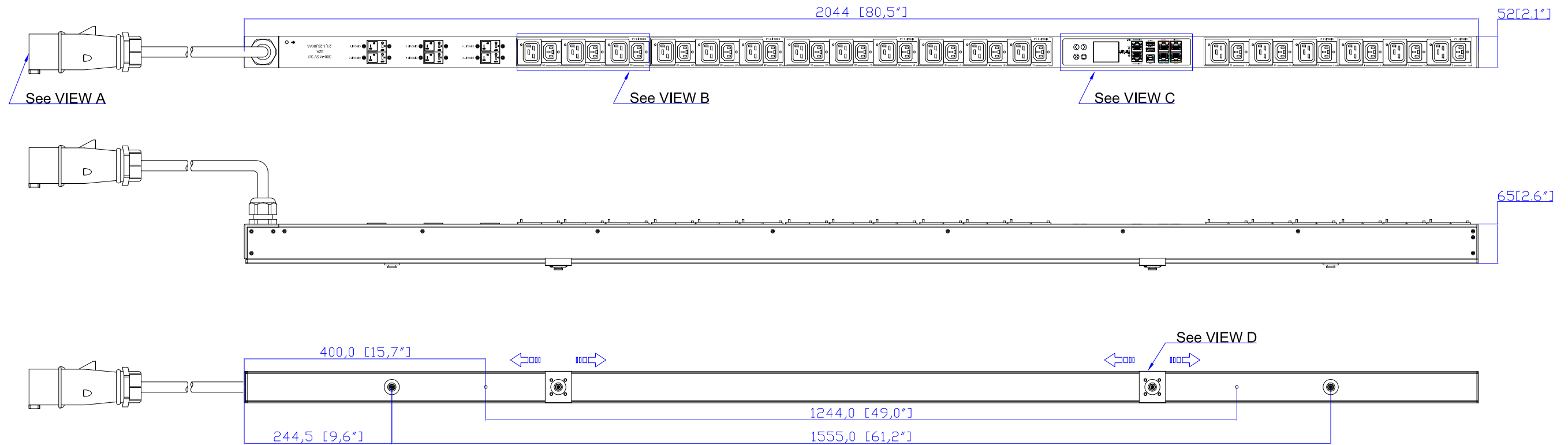


Option 3.



VIEW C (Rotated 180 degrees)

VIEW D



- NOTES:
1. INSTALLATION SHALL COMPLY WITH ALL APPLICABLE NATIONAL, STATE AND LOCAL CODES.
 2. PLEASE REFER TO PRODUCT DOCUMENTATION FOR FURTHER INFORMATION.
 3. UNLESS OTHERWISE SPECIFIED, ALL DIMENSIONS ARE IN MILLIMETERS (INCHES).
 4. MOUNTING BUTTON IS AN ALTERNATIVE MOUNTING METHOD TO THE TOOLLESS MOUNT FOR 3RD PARTY ENCLOSURE. BUTTON IS PROVIDED WITH THE UNIT. DETAILED INSTALLATION INSTRUCTIONS CAN BE FOUND IN THE PROVIDED MANUAL.
 5. BRACKET KITS TO MOUNT TO SPECIFIC 3RD PARTY ENCLOSURES ARE AVAILABLE AS OPTIONS.
 6. RARITAN STANDARD LENGTH OF THE CORD IS 3000MM +/- 70MM
 7. DIMENSION TOLERANCE: LENGTH +/- 3MM, WIDTH +/- 1MM, DEPTH +/- 0,5MM

Raritan
A brand of **legrand**

Drawing Maker: EVA LIN Nov. 11. 2019
Design Engineer: Kenny_C Nov. 11. 2019
Approver: Tom_H Nov. 11. 2019

PROJECTION THIRD ANGLE
DO NOT SCALE DRAWING
SHEET 1 OF 1
THIS DRAWING AND SPECIFICATIONS HEREIN ARE THE PROPERTY OF RARITAN, Inc. AND SHALL NOT BE COPIED, REPRODUCED OR USED, IN WHOLE OR IN PART, AS THE BASIS FOR THE MANUFACTURE OR SALE OF ITEMS WITHOUT WRITTEN PERMISSION FROM RARITAN, Inc. THIS DRAWING IS BASED UPON LATEST AVAILABLE INFORMATION AND IS SUBJECT TO CHANGE WITHOUT NOTICE.

SPECIFICATION
IPDU Zero U
Three Phase, 32A / 380-415V
Plug Type: IEC60309 32A 3PY
Outlet Type: Locking C13 (18), Locking C19 (18)
DWG NO.: MPX3-1699-E2N1
MODEL NO.: **PX3-1699-E2N1**
REV. **2B**