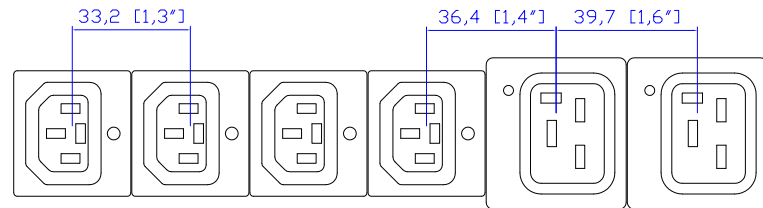
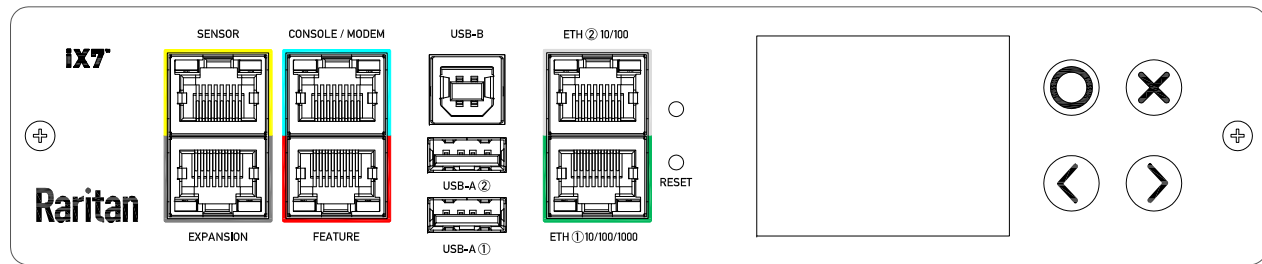


IEC60309 32A 3PY

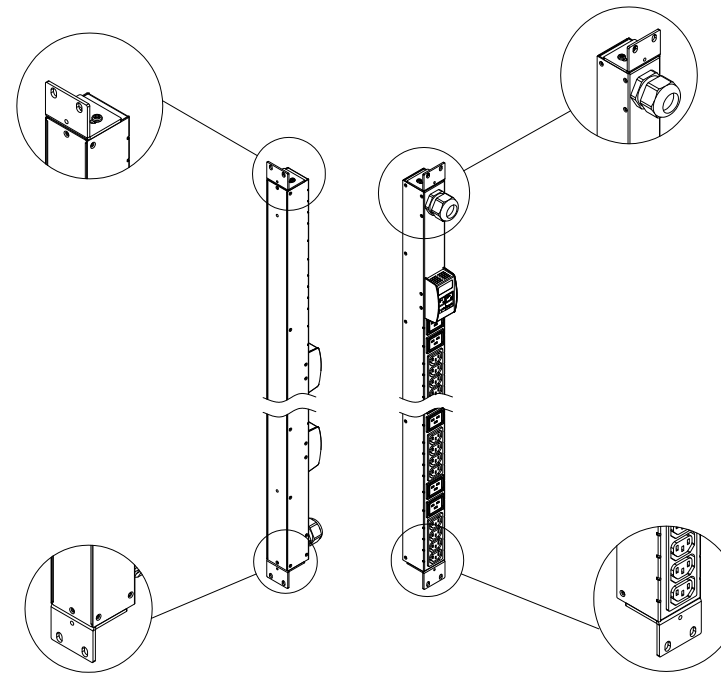
VIEW A



VIEW B

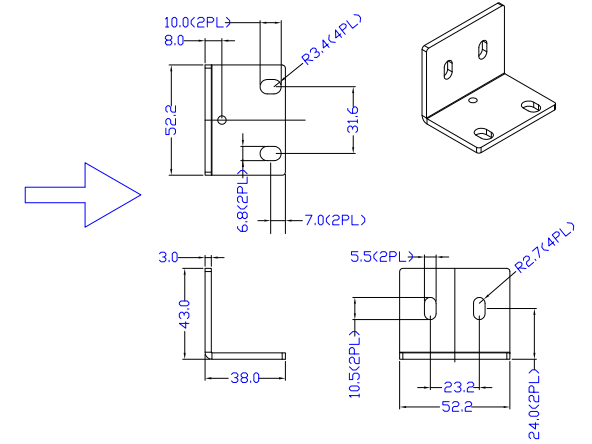


VIEW C

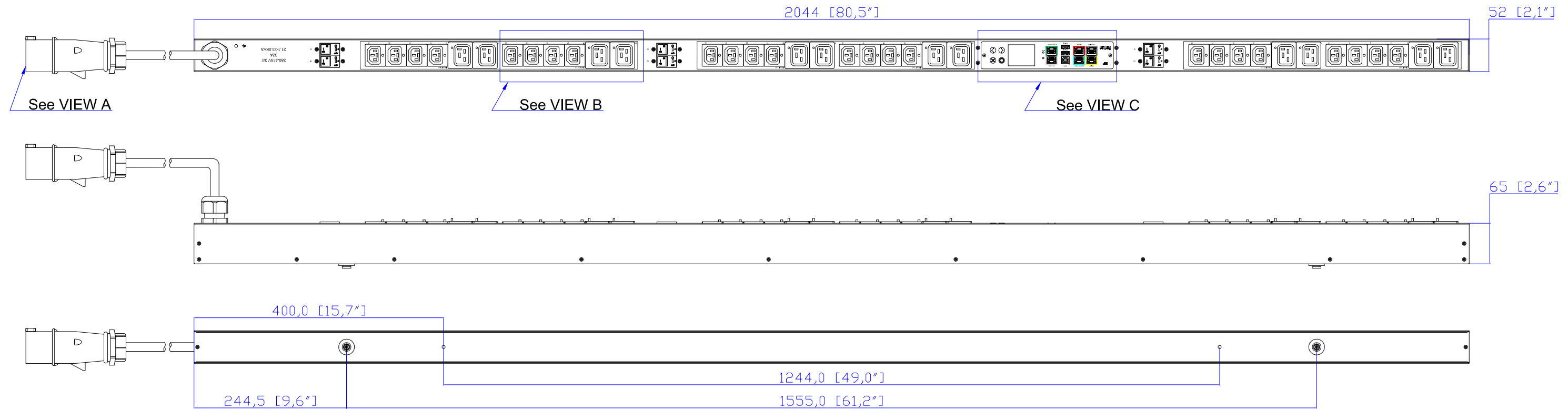


Option A

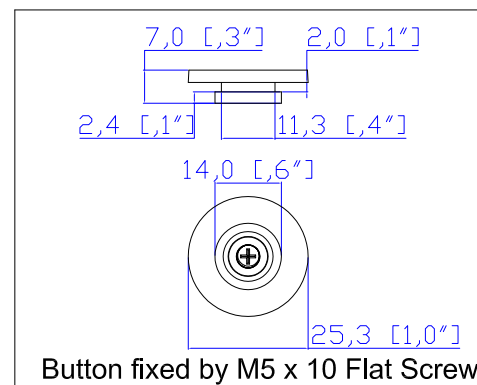
Option B



Raritan Mounting Bracket Installation Diagram

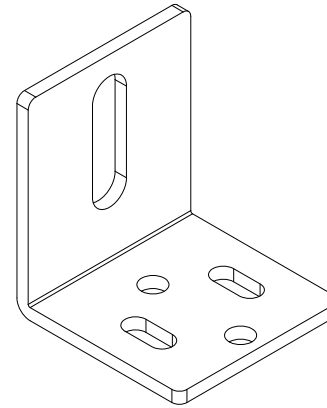
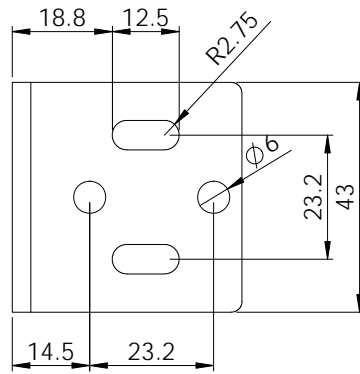
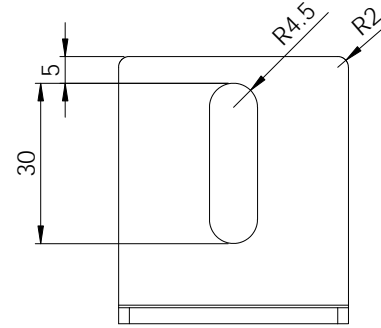
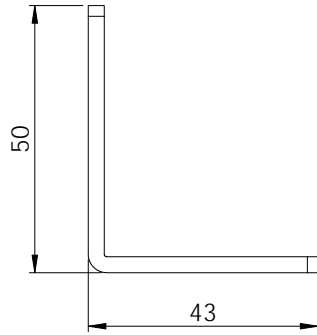


- NOTES:
1. INSTALLATION SHALL COMPLY WITH ALL APPLICABLE NATIONAL, STATE AND LOCAL CODES.
  2. PLEASE REFER TO PRODUCT DOCUMENTATION FOR FURTHER INFORMATION.
  3. UNLESS OTHERWISE SPECIFIED, ALL DIMENSIONS ARE IN MILLIMETERS [INCHES].
  4. MOUNTING BUTTON IS AN ALTERNATIVE MOUNTING METHOD TO THE TOOLLESS MOUNT FOR 3RD PARTY ENCLOSURE. BUTTON IS PROVIDED WITH THE UNIT. DETAILED INSTALLATION INSTRUCTIONS CAN BE FOUND IN THE PROVIDED MANUAL.
  5. BRACKET KITS TO MOUNT TO SPECIFIC 3RD PARTY ENCLOSURES ARE AVAILABLE AS OPTIONS.
  6. STANDARD LENGTH OF THE CORD IS 3000MM +/- 70MM
  7. DIMENSION TOLERANCE: LENGTH +/- 3MM, WIDTH +/- 1MM, DEPTH +/- 0.5MM
  8. T-Systems BRACKET: 251-01-0034-00 & 251-01-0102-00. CHECK DETAIL SPECIFICATION FROM PDF PAGE 2




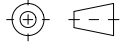
<p>A brand of </p>		PROJECTION THIRD ANGLE	DO NOT SCALE DRAWING	TITLE: iPDU Zero U Three Phase, 32A/380-415V Plug Type: IEC60309 32A 3PY Outlet Type: Locking C13 (24), Locking C19 (12)
		SHEET 1 OF 1		
Drawing Maker:	Tom Hsueh	Sep. 11. 2018	THIS DRAWING AND SPECIFICATIONS HEREIN ARE THE PROPERTY OF RARITAN, Inc. AND SHALL NOT BE COPIED, REPRODUCED OR USED, IN WHOLE OR IN PART, AS THE BASIS FOR THE MANUFACTURE OR SALE OF ITEMS WITHOUT WRITTEN PERMISSION FROM RARITAN, Inc. THIS DRAWING IS BASED UPON LATEST AVAILABLE INFORMATION AND IS SUBJECT TO CHANGE WITHOUT NOTICE.	DWG NO. MPX3-1730-E2V2 & PX3-1730-E2M5V2
Design Engineer:	Tom Hsueh	Sep. 11. 2018		MODEL NO.
Approver:	Tom Hsueh	Sep. 11. 2018		PX3-1730-E2V2 & PX3-1730-E2M5V2 REV. <b>2B</b>

Rev.	Change Description
0A	RELEASED TO PRODUCTION

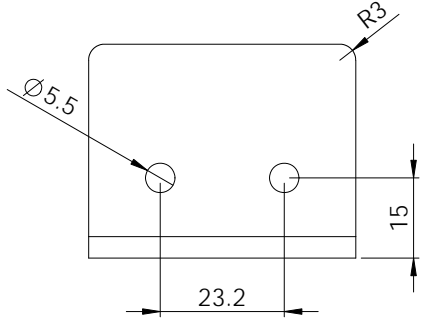
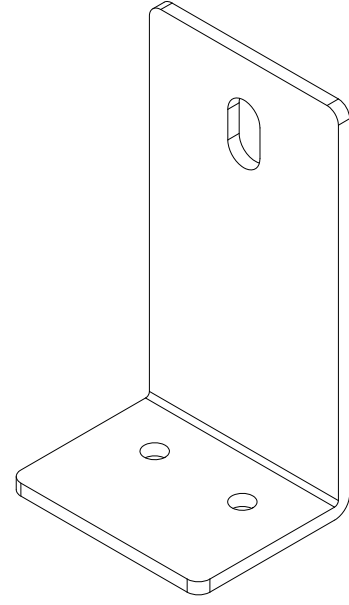
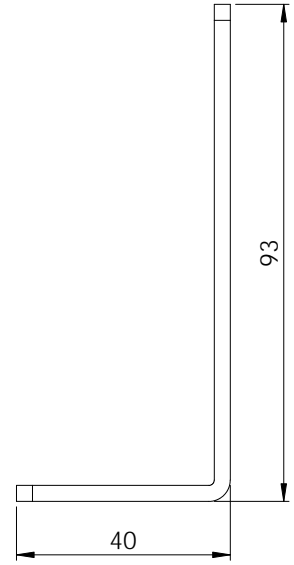
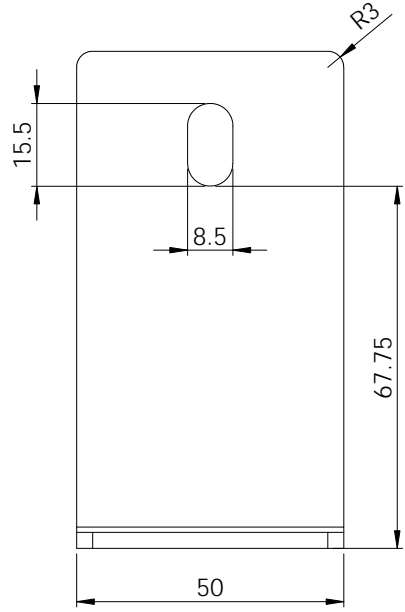


**Notes:**

1. Material: Aluminum, 3.0MM thickness
2. Color: Black liquid painting
3. Tolerance: +/- 0.2mm
4. Remove bur around the edge
5. No any deformation mark & bending on the finished product
6. Must meet Rohs Compliance

 <a href="http://www.raritan.com">www.raritan.com</a>		THIRD ANGLE PROJECTION	DON'T SCALE DRAWING	TITLE: <b>T-Systems ZERO U          Mounting Bracket</b>	
			SHEET 1 OF 1		
DRAWN:	Tom Hsueh	Oct. 16. 2013	THIS DRAWING AND SPECIFICATION HEREIN ARE THE PROPERTY OF RARITAN, INC. AND SHALL NOT BE COPIED, REPRODUCED OR USED, IN WHOLE OR IN PART, AS THE BASIS FOR THE MANUFACTURE FROM RARITAN, INC. THIS DRAWING IS BASED UPON LATEST AVAILABLE INFORMATION AND IS SUBJECT TO CHANGE WITHOUT NOTICE.		
ENGINEER:	Tom Hsueh	Oct. 16. 2013			
APPROVED:	Tom Hsueh	Oct. 16. 2013			
DWG NO.		251-01-0034-00	REV		0A

Rev.	Change Description
0A	RELEASED TO PRODUCTION



Notes:

1. Material: Aluminum, 3.0MM thickness
2. Color: Black liquid painting
3. Tolerance: +/- 0.2mm
4. Remove bur around the edge
5. No any deformation mark & bending on the finished product
6. Must meet Rohs Compliance

		THIRD ANGLE PROJECTION	DON'T SCALE DRAWING	TITLE: <b>T-Systems          PX3-1730-E2M5V2          Mounting Bracket</b>	
			SHEET 1 OF 1		
DRAWN:	Tom Hsueh	Sep. 05. 2018	THIS DRAWING AND SPECIFICATION HEREIN ARE THE PROPERTY OF RARITAN, INC. AND SHALL NOT BE COPIED, REPRODUCED OR USED, IN WHOLE OR IN PART, AS THE BASIS FOR THE MANUFACTURE FROM RARITAN, INC. THIS DRAWING IS BASED UPON LATEST AVAILABLE INFORMATION AND IS SUBJECT TO CHANGE WITHOUT NOTICE.		
ENGINEER:	Tom Hsueh	Sep. 05. 2018			
APPROVED:	Tom Hsueh	Sep. 05. 2018			
DWG NO.			REV		
251-01-0102-00			0A		