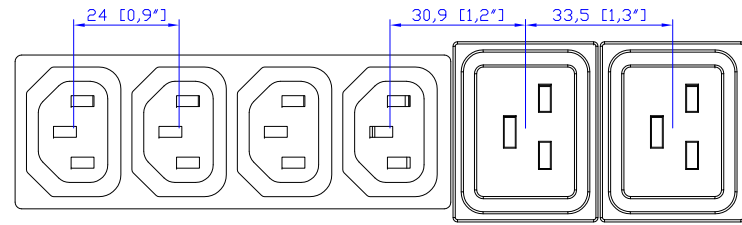
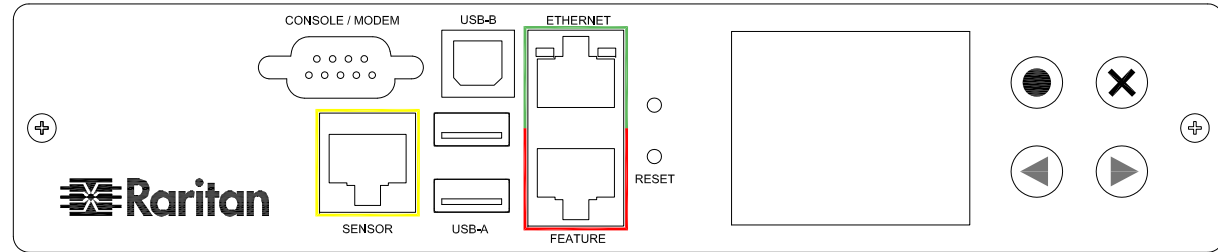


IEC60309 32A 3PY

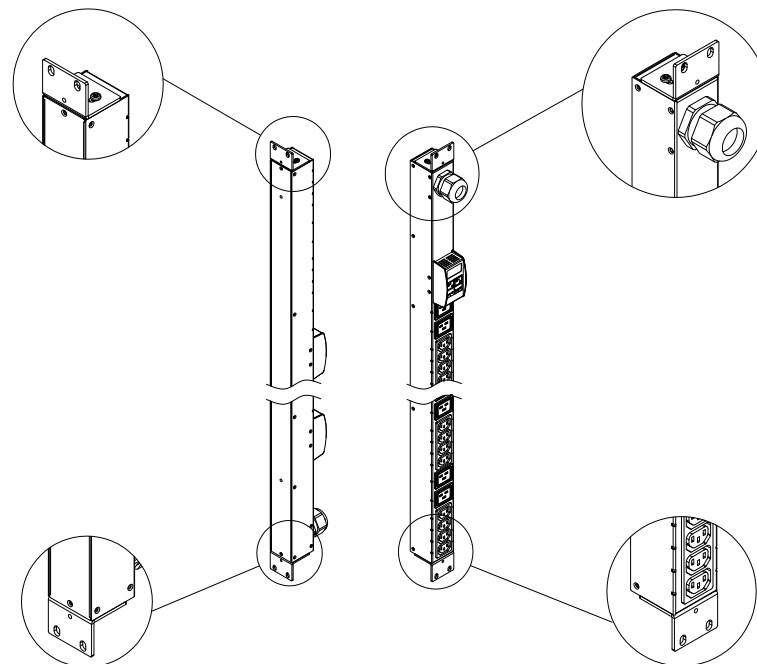
VIEW A



VIEW B



VIEW C

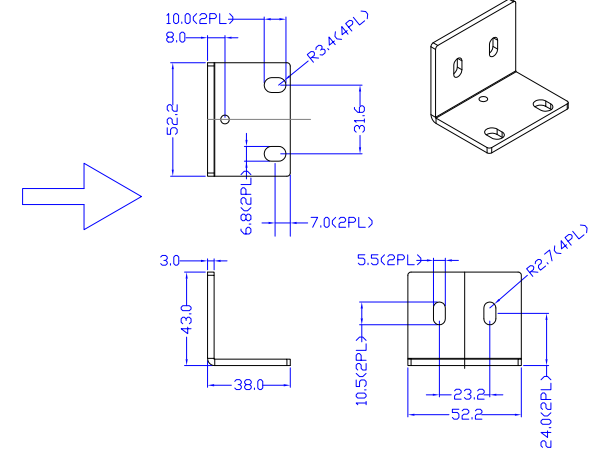


Option A

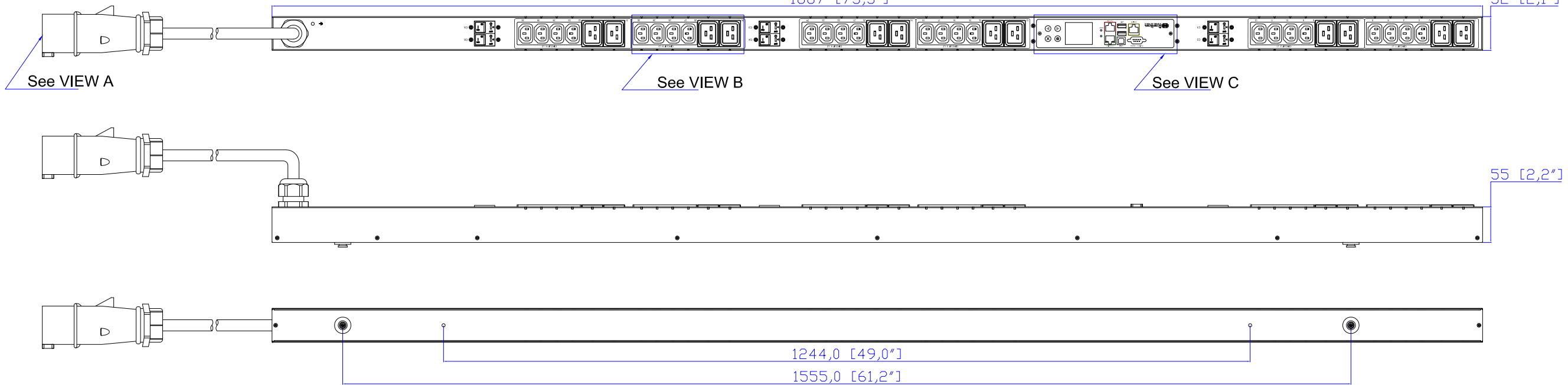
Option B

Rack mount L type detailed

Mounting options



IEC60309 32A 3PY (UL)



NOTES:  
1.ALL DIMENSIONS ARE MILLIMETERS[INCHES].



DO NOT SCALE DRAWING  
SHEET 1 OF 1

THIS DRAWING AND SPECIFICATIONS HEREIN ARE THE PROPERTY OF RARITAN, INC. AND SHALL NOT BE COPIED, REPRODUCED OR USED, IN WHOLE OR IN PART, AS THE BASIS FOR THE MANUFACTURE OR SALE OF ITEMS WITHOUT WRITTEN PERMISSION FROM RARITAN, INC. THIS DRAWING IS BASED UPON LATEST AVAILABLE INFORMATION AND IS SUBJECT TO CHANGE WITHOUT NOTICE.

TITLE:  
iPDU Zero U  
Three Phase, 32A/380V-415V  
Plug Type: IEC60309 32A 3PY  
Outlet Type: (24)IEC320 C13,(12)IEC320 C19

DWG NO. **MPX3-1730-M5** REV. **0A**

|                  |         |               |
|------------------|---------|---------------|
| Drawing Maker:   | Eva Lin | Jan. 07, 2015 |
| Design Engineer: | Siang_H | Jan. 07, 2015 |
| Approver:        | Tom_H   | Jan. 07, 2015 |