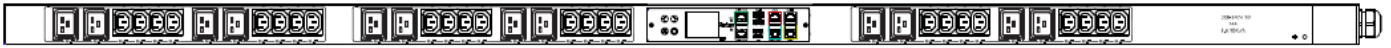


Technical Specifications / Engineering Submittals

Raritan Model Number: PX3-1732NU

rev20250209

LINE DRAWING



FEATURES

| | |
|-------------------------------------|---|
| Energy Metering | Voltage (V), Current (A), Active Power (kW), Real Power (kVA), Energy (kWh), Power Factor |
| Metering Accuracy | ISO/IEC 62053-21 1% (see page 3 for details) |
| Metering per Input Line | Yes |
| Metering per Branch Circuit Breaker | No |
| Metering per Output Receptacle | No |
| Remote Outlet Switching | No |
| Environmental Sensor Ready | Yes |
| Replaceable Controller | Yes |
| Compatible Sensors | Temperature, Humidity, Air Flow, Differential Pressure, Water Leak, and Contact Closure |
| Networking | Gigabit (10/100/1000 BaseT) Ethernet port; secondary, redundant (10/100/1000 BaseT) Ethernet port. Optional WiFi (802.11a/b/g/n) |
| Remote Management | HTTP(s); SSH; Telnet; RS-232 (Serial); Power IQ; SNMP version v2/v3; SMTP; JSON-RPC; Modbus over TCP |
| Cascading | Yes, Max 32 PDUs can be daisy chained using a USB connection and 32 PDUs using Ethernet connection |
| Onboard Display | Color, matrix LCD display : Voltage, current, or active power (per line); Alarms; Configuration information (name, ratings, IP / Networking information); Auto-flip orientation |
| Embedded Processor | ARM Cortex A5 536MHZ (Atmel A5D35A), 16MB SPI Flash, 64MB DDR2 RAM |

Technical Specifications / Engineering Submittals

Raritan Model Number: PX3-1732NU

rev20250209

INPUT

| | |
|-----------------------|----------------------------------|
| Input Plug | Cord (N/A) |
| Cord Length | 3 meters (9.84 feet) standard |
| Cord Entry | Top-end feed |
| Cable Type | N/A |
| Number of Power Cords | 1 |
| Maximum Input Current | 16A |
| Nominal Input Voltage | 400V 3 phase |
| Rated Input Voltage | 380 - 415V 3 phase |
| Input Frequency | 50/60Hz |
| Power Capacity | 10.6kVA at 380V, 11.5kVA at 415V |

OUTPUT

| | |
|----------------------------------|--|
| Nominal Output Voltage | 230V |
| Rated Output Voltage | 220 - 240V |
| Receptacles (Output Connections) | (24) IEC320 C13, 10A (12) IEC320 C19, 16A |
| Securelock Support | Yes |
| Cord Retention | Yes |
| Overload Protection | N/A |

PHYSICAL

| | |
|-----------------------------|--|
| Color | Black powder coat (custom colors available) |
| Unit Dimensions (WxDxH) | 2.1" x 1.7" x 70.1" ; 52mm x 43mm x 1780mm |
| Unit Weight | 5.3 kg |
| Shipping Weight | 7.6 kg |
| Shipping Dimensions (WxDxH) | 12.64" x 4.53" x 80.71" ; 321mm x 115mm x 2050mm |
| Mounting | Tool-less button mount |

Technical Specifications / Engineering Submittals

Raritan Model Number: PX3-1732NU

rev20250209

ENVIRONMENTAL

| | |
|-----------------------------|----------|
| Operating Temperature | 60°C |
| Operating Relative Humidity | 85% |
| Operating Elevation | 0-6000ft |

CONFORMANCE

| | |
|----------------------|---|
| Regulatory Approvals | CE, Canada ICES-003, Part 15 Class A of the FCC rules, RoHS compliant |
| Warranty | Standard 2 years manufacturer warranty |

ACCURACY

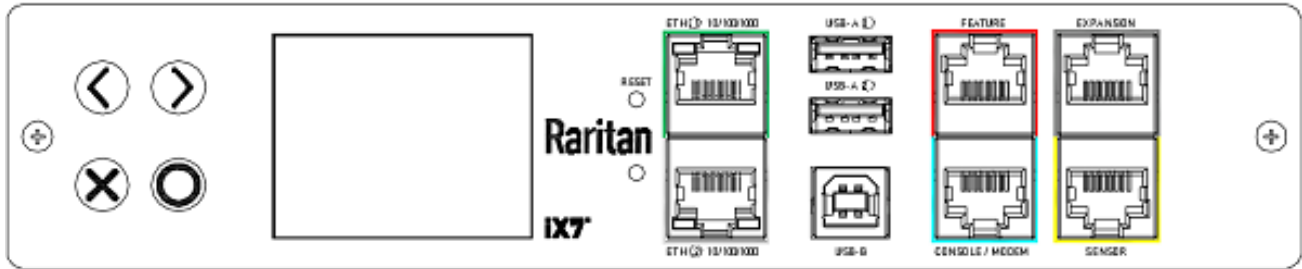
| | Input Measurement |
|-------------------|---------------------------|
| LCD & GUI Current | ±1% at 0.1 A resolution |
| Voltage | ±1% at 0.1 V resolution |
| Active Power | ±1% at 1 W resolution |
| Apparent Power | ±1% at 1 VA resolution |
| Power Factor | ±1% at 0.1 resolution |
| Active Energy | ±1% at 0.1 kWh resolution |

Technical Specifications / Engineering Submittals

Raritan Model Number: PX3-1732NU

rev20250209

CONTROL PANEL

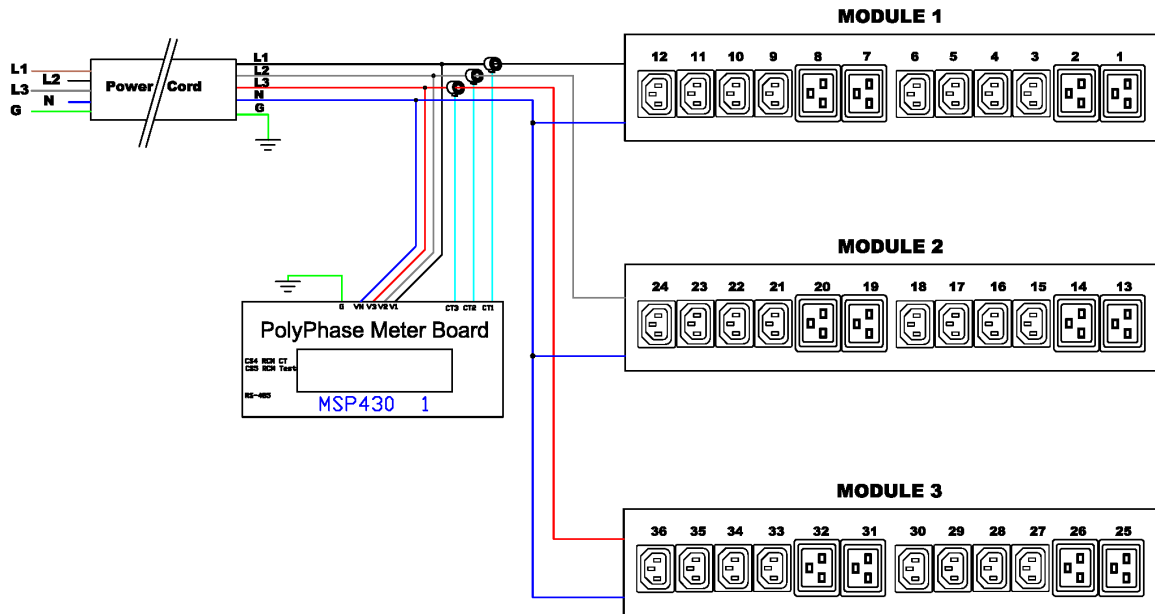


Technical Specifications / Engineering Submittals

Raritan Model Number: PX3-1732NU

rev20250209

ELECTRICAL (ONE LINE) DIAGRAM

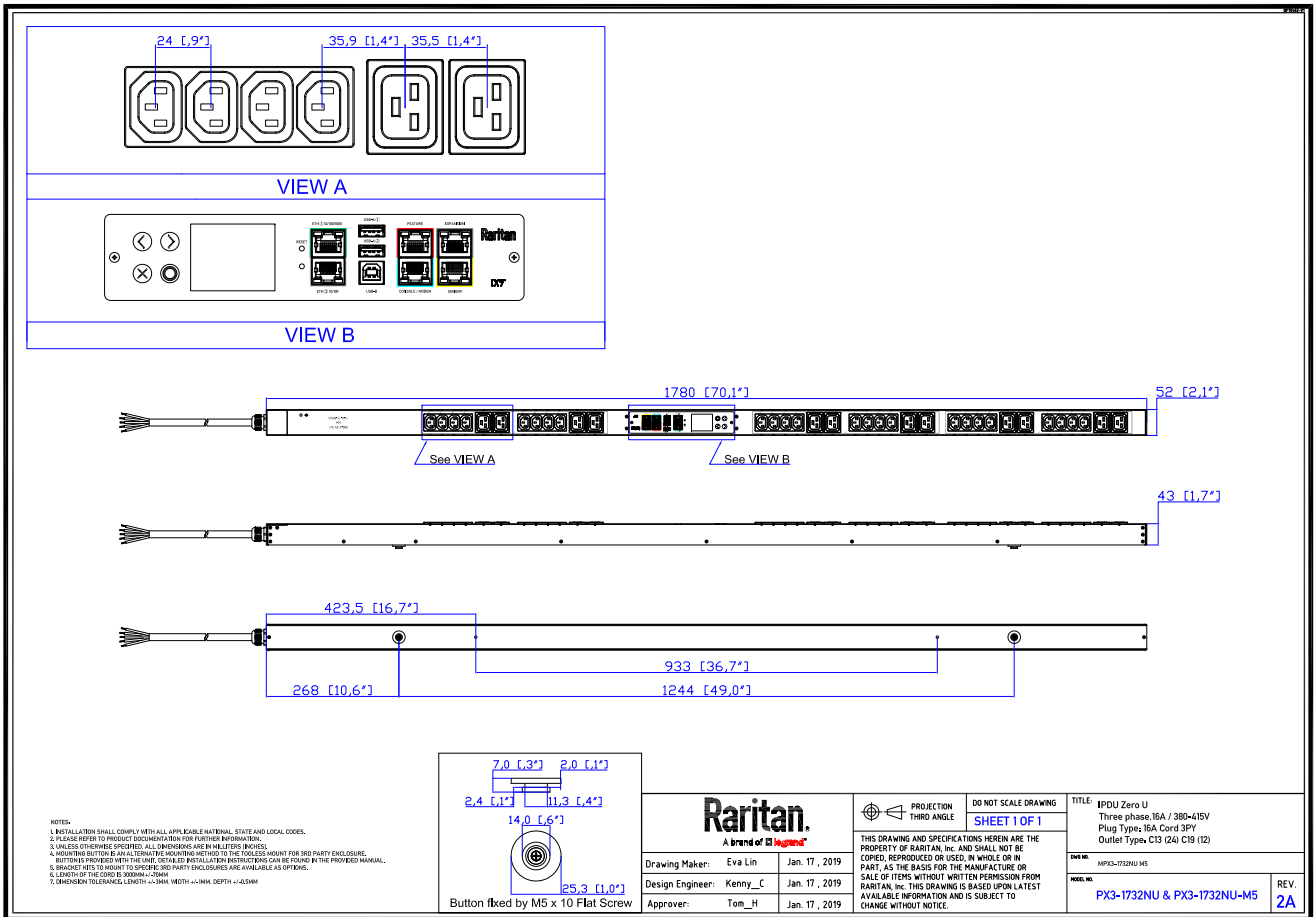


Technical Specifications / Engineering Submittals

Raritan Model Number: PX3-1732NU

rev20250209

MECHANICAL DIAGRAM



Technical Specifications / Engineering Submittals
Raritan Model Number: PX3-1732NU

rev20250209

TRIP CURVE

This file generated on: Sun, February 09, 2025 - 22:36:39