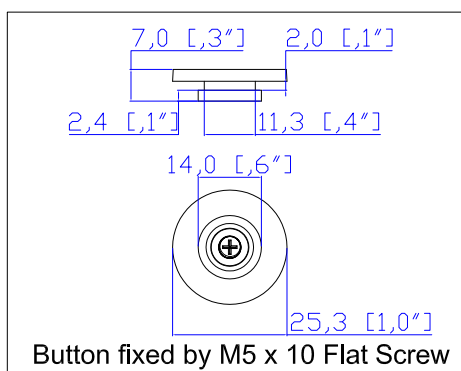
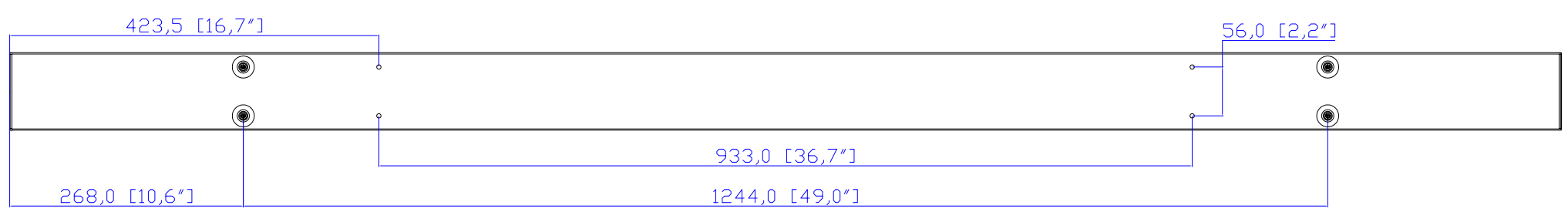
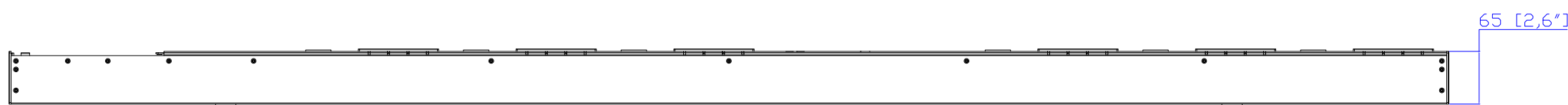
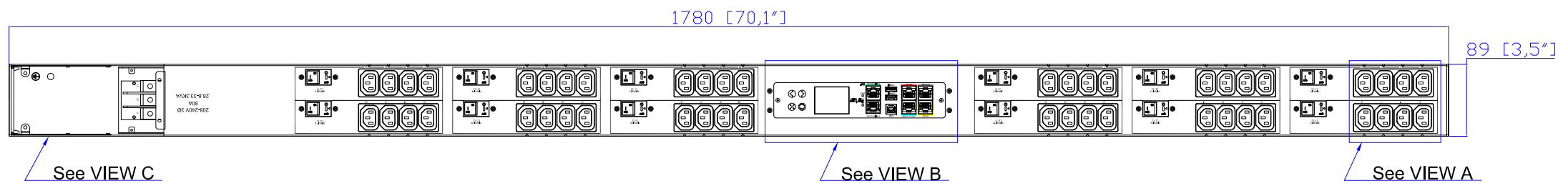
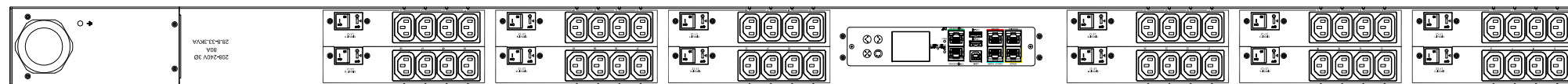


1. KST RNBS 38-6 or equivalent terminals for 2 AWG Wire
2. Inside diameter 6.4 mm & Outside diameter 15.3 mm ring for M6 screw



- NOTES:
1. INSTALLATION SHALL COMPLY WITH ALL APPLICABLE NATIONAL, STATE AND LOCAL CODES.
  2. PLEASE REFER TO PRODUCT DOCUMENTATION FOR FURTHER INFORMATION.
  3. UNLESS OTHERWISE SPECIFIED, ALL DIMENSIONS ARE IN MILLIMETERS (INCHES).
  4. MOUNTING BUTTON IS AN ALTERNATIVE MOUNTING METHOD TO THE TOOLLESS MOUNT FOR 3RD PARTY ENCLOSURE. BUTTON IS PROVIDED WITH THE UNIT. DETAILED INSTALLATION INSTRUCTIONS CAN BE FOUND IN THE PROVIDED MANUAL.
  5. BRACKET KITS TO MOUNT TO SPECIFIC 3RD PARTY ENCLOSURES ARE AVAILABLE AS OPTIONS.
  6. DIMENSION TOLERANCE: LENGTH +/-3MM, WIDTH +/-1MM, DEPTH +/-0.5MM

<p><b>Raritan</b> A brand of  <b>legrand</b></p>		PROJECTION THIRD ANGLE	DO NOT SCALE DRAWING	SPECIFICATION	
			SHEET 1 OF 1	iPDU Zero U 208-240V 3Φ-Δ, 80A Plug Type: 80A Terminal 3P Outlet Type: C13 (48)	
Drawing Maker: Eva Lin	Jan. 28, 2022	THIS DRAWING AND SPECIFICATIONS HEREIN ARE THE PROPERTY OF RARITAN, Inc. AND SHALL NOT BE COPIED, REPRODUCED OR USED, IN WHOLE OR IN PART, AS THE BASIS FOR THE MANUFACTURE OR SALE OF ITEMS WITHOUT WRITTEN PERMISSION FROM RARITAN, Inc. THIS DRAWING IS BASED UPON LATEST AVAILABLE INFORMATION AND IS SUBJECT TO CHANGE WITHOUT NOTICE.		DWG NO.	MPX3-1786X-V2
Design Engineer: Eva Lin	Jan. 28, 2022			MODEL NO.	
Approver: Tom_H	Jan. 28, 2022			PX3-1786X-V2	
				REV.	2B