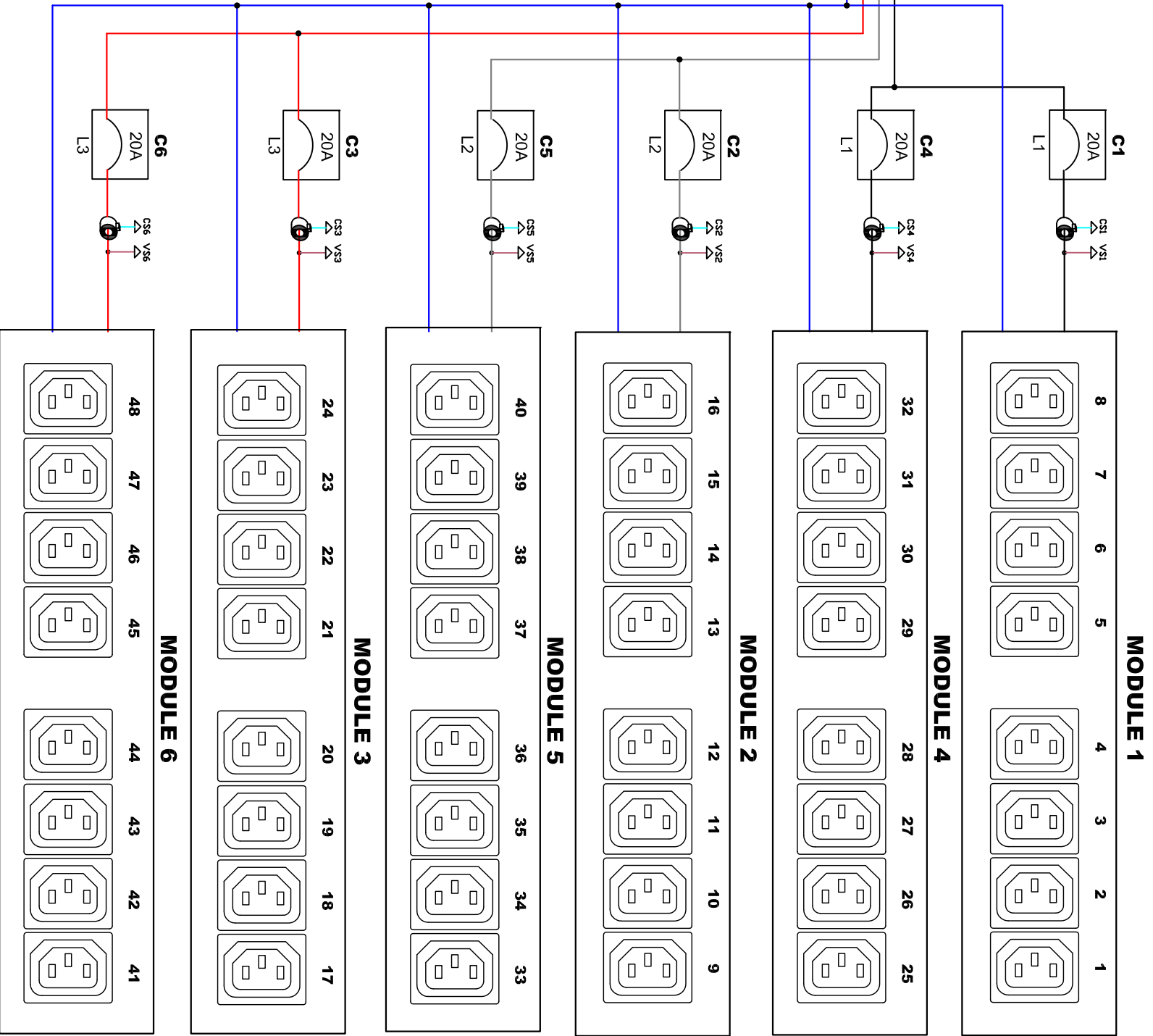
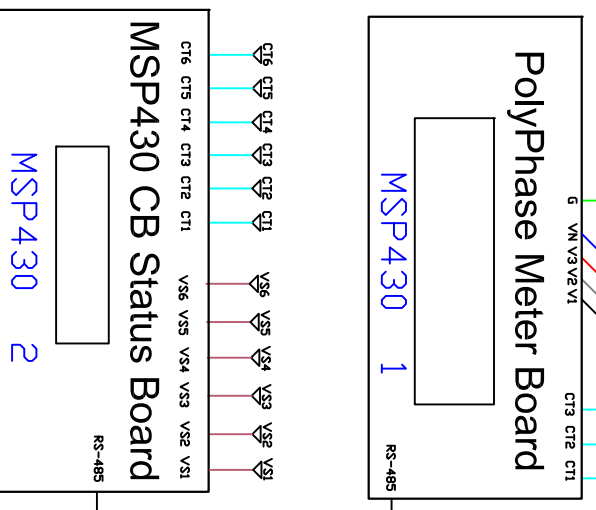
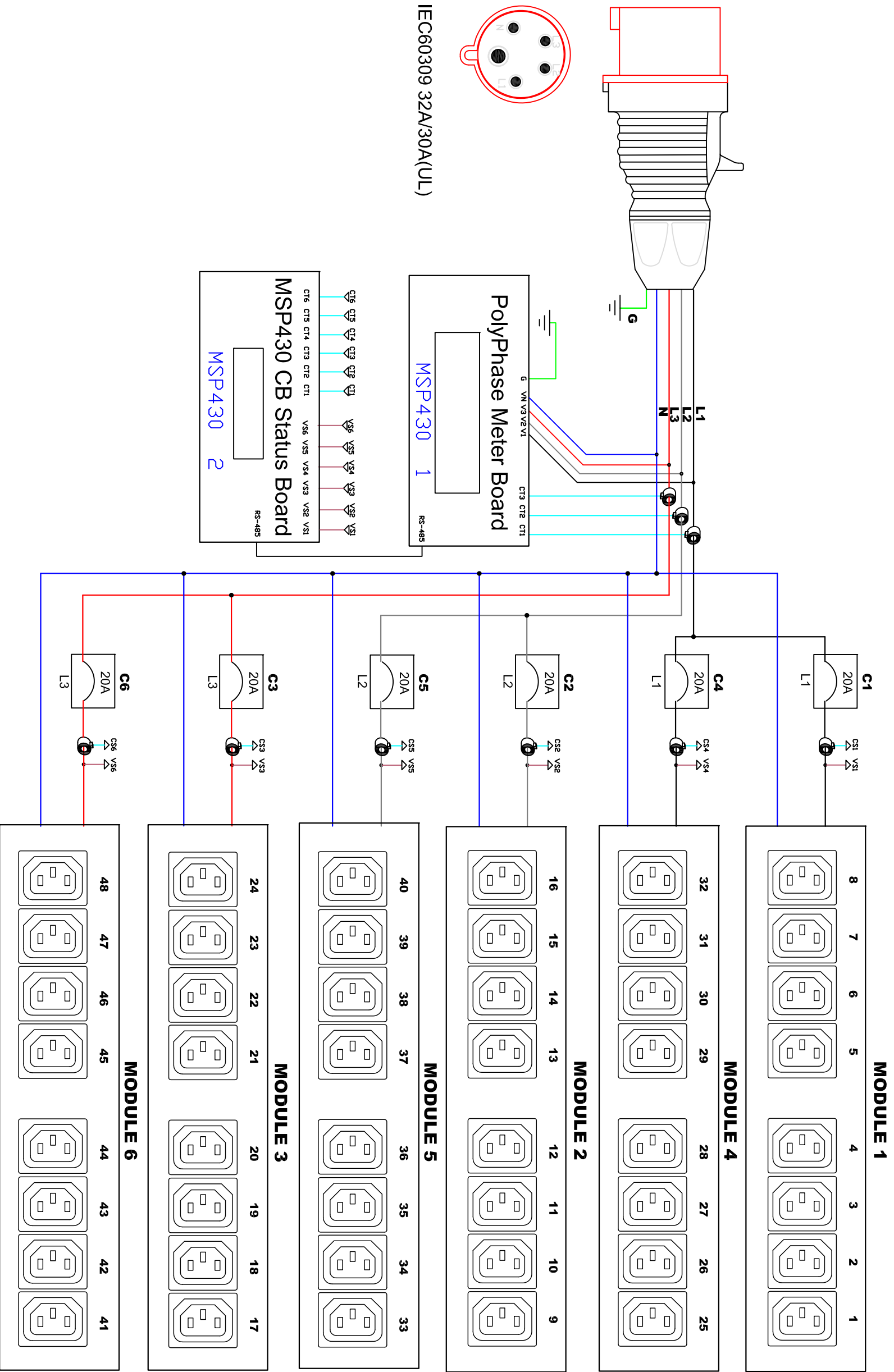


IEC60309 32A/30A(UL)



<p>Raritan A brand of Legrand</p>		PROJECTION	DO NOT SCALE DRAWING	TITLE:
		THIRD ANGLE		SHEET 1 OF 1
Drawing Maker: Albert Lee	JUL/18/2019	THIS DRAWING AND SPECIFICATIONS HEREIN ARE THE PROPERTY OF RARITAN, INC. AND SHALL NOT BE COPIED, REPRODUCED OR USED, IN WHOLE OR IN PART, AS THE BASIS FOR THE MANUFACTURE OR SALE OF ITEMS WITHOUT WRITTEN PERMISSION FROM RARITAN, INC. THIS DRAWING IS BASED UPON LATEST AVAILABLE INFORMATION AND IS SUBJECT TO CHANGE WITHOUT NOTICE.		
Design Engineer:		DWG NO. TPX3-191812-V2		
Approver: Alex Lee	JUL/18/2019	REV. 2A		