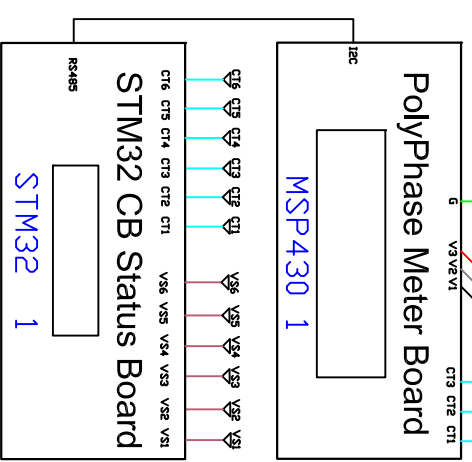


IEC60309 60A



 A brand of Legrand		PROJECTION	DO NOT SCALE DRAWING	TITLE:
		THIRD ANGLE		SHEET 1 OF 1
DRAWN : Albert	SEP/07/2017	THIS DRAWING AND SPECIFICATIONS HEREIN ARE THE PROPERTY OF PARITAN, INC. AND SHALL NOT BE COPIED, REPRODUCED OR USED, IN WHOLE OR IN PART, AS THE BASIS FOR THE MANUFACTURE OR SALE OF ITEMS WITHOUT WRITTEN PERMISSION FROM PARITAN, INC. THIS DRAWING IS BASED UPON LATEST AVAILABLE INFORMATION AND IS SUBJECT TO CHANGE WITHOUT NOTICE...		DWG NO.
ENGINEER:				TPX3-197613-V2
APPROVED: Alex.Lee	SEP/07/2017			REV. 2B