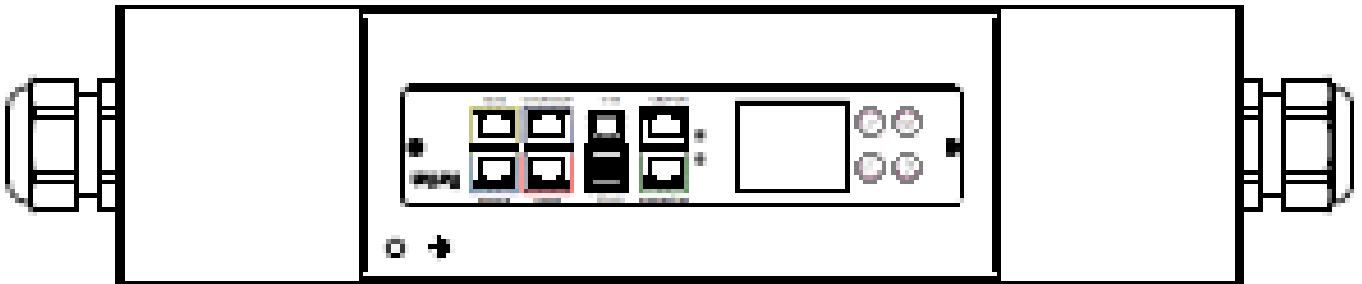


## Technical Specifications / Engineering Submittals

Raritan Model Number: PX3-3187

rev20250209

### LINE DRAWING



### FEATURES

Energy Metering	Voltage (V), Current (A), Active Power (kW), Real Power (kVA), Energy (kWh), Power Factor
Metering Accuracy	ISO/IEC 62053-21 1%
Metering per Input Line	Yes
Metering per Branch Circuit Breaker	No
Metering per Output Receptacle	No
Remote Outlet Switching	No
Environmental Sensor Ready	Yes
Replaceable Controller	No
Compatible Sensors	Temperature, Humidity, Air Flow, Differential Pressure, Water Leak, and Contact Closure
Networking	Gigabit (10/100/1000 BaseT) Ethernet port; secondary, redundant (10/100 BaseT) Ethernet port. Optional WiFi (802.11a/b/g/n)
Remote Management	HTTP(s); SSH; Telnet; RS-232 (Serial); Power IQ; SNMP version v2/v3; SMTP; JSON-RPC; Modbus over TCP
Cascading	Yes, Max 32 PDUs can be daisy chained using a USB connection and 32 PDUs using Ethernet connection
Onboard Display	Color, matrix LCD display : Voltage, current, or active power (per line); Alarms; Configuration information (name, ratings, IP / Networking information); Auto-flip orientation
Embedded Processor	ARM Cortex A5 536MHZ (Atmel A5D35A), 16MB SPI Flash, 64MB DDR2 RAM

## Technical Specifications / Engineering Submittals

Raritan Model Number: PX3-3187

rev20250209

### INPUT

Input Plug	AC Terminal (N/A)
Cord Length	N/A
Cord Entry	Bottom-front feed
Cable Type	N/A
Number of Power Cords	N/A
Maximum Input Current	48A
Nominal Input Voltage	208V 3 phase
Rated Input Voltage	208 - 240V 3 phase
Input Frequency	50/60Hz
Power Capacity	0.0kVA at 208V, 0.0kVA at 240V

### OUTPUT

Nominal Output Voltage	208V
Rated Output Voltage	208 - 240V
Receptacles (Output Connections)	(1) AC Terminal, 48A
Securelock Support	No
Cord Retention	Yes
Overload Protection	N/A

### PHYSICAL

Color	Black powder coat (custom colors available)
Unit Dimensions (WxDxH)	4.2" x 4.5" x 17.1" ; 107mm x 114mm x 435mm
Unit Weight	2.6 kg
Shipping Weight	3.2 kg
Shipping Dimensions (WxDxH)	7.32" x 7.52" x 21.85" ; 186mm x 191mm x 555mm
Mounting	Tool-less button mount

## Technical Specifications / Engineering Submittals

Raritan Model Number: PX3-3187

rev20250209

### ENVIRONMENTAL

---

Operating Temperature	60°C
-----------------------	------

---

Operating Relative Humidity	85%
-----------------------------	-----

---

Operating Elevation	0-6000ft
---------------------	----------

---

### CONFORMANCE

---

Regulatory Approvals	UL Listed, Canada ICES-003, Part 15 Class A of the FCC rules, RoHS compliant
----------------------	--

---

Warranty	Standard 2 years manufacturer warranty
----------	--

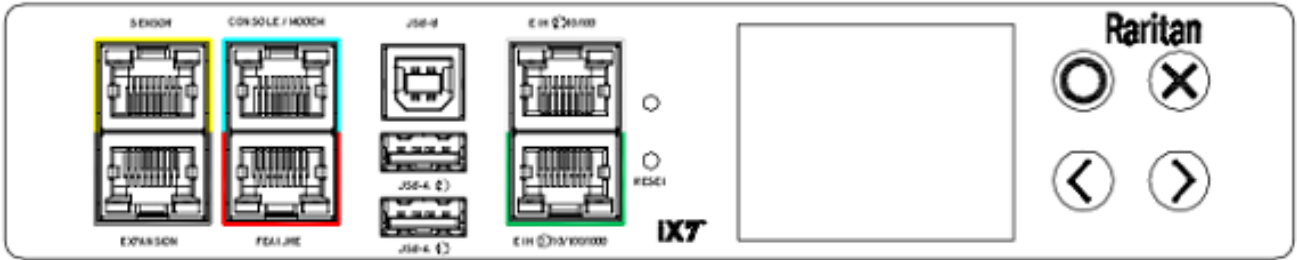
---

## Technical Specifications / Engineering Submittals

Raritan Model Number: PX3-3187

rev20250209

### CONTROL PANEL

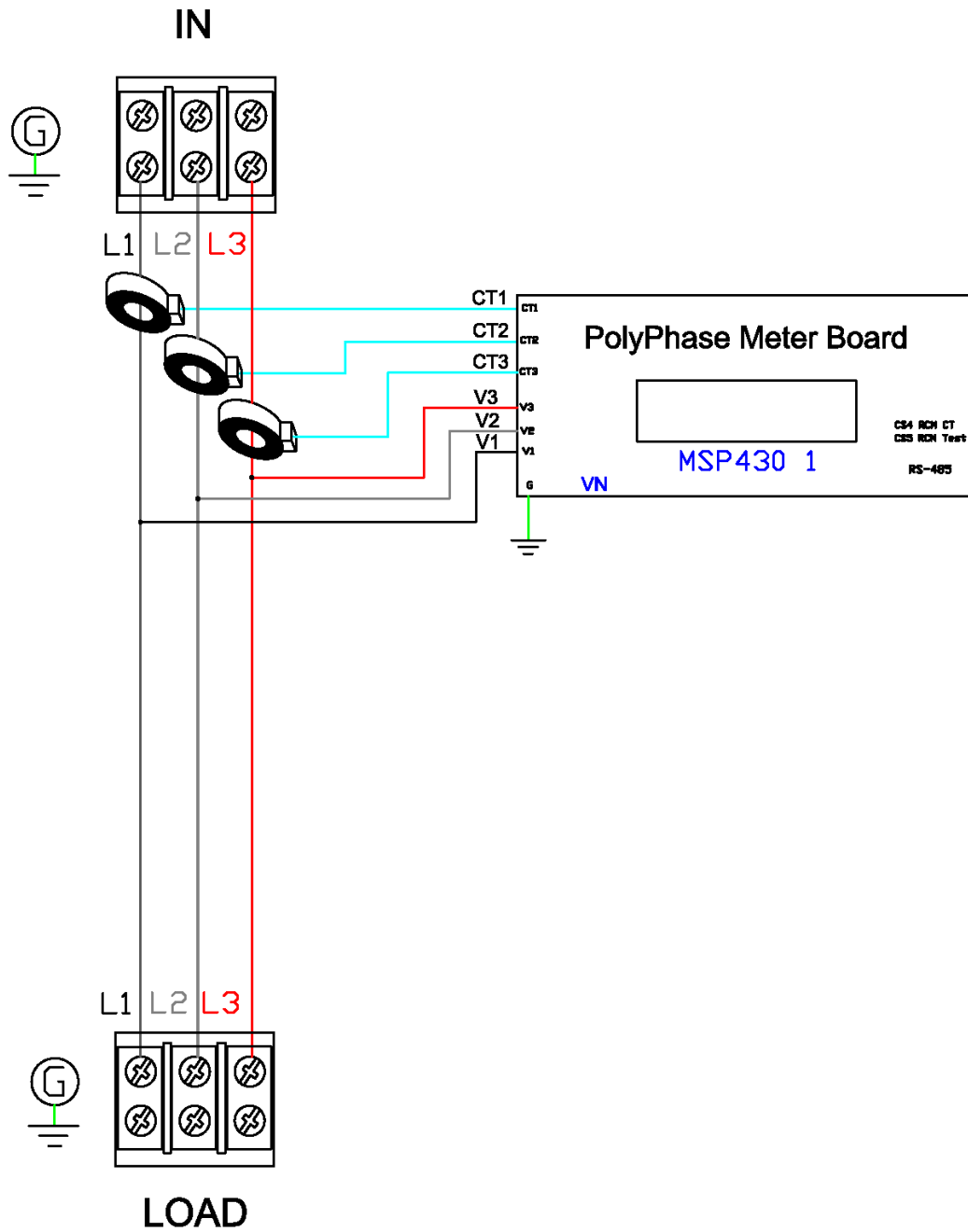


# Technical Specifications / Engineering Submittals

Raritan Model Number: PX3-3187

rev20250209

## ELECTRICAL (ONE LINE) DIAGRAM

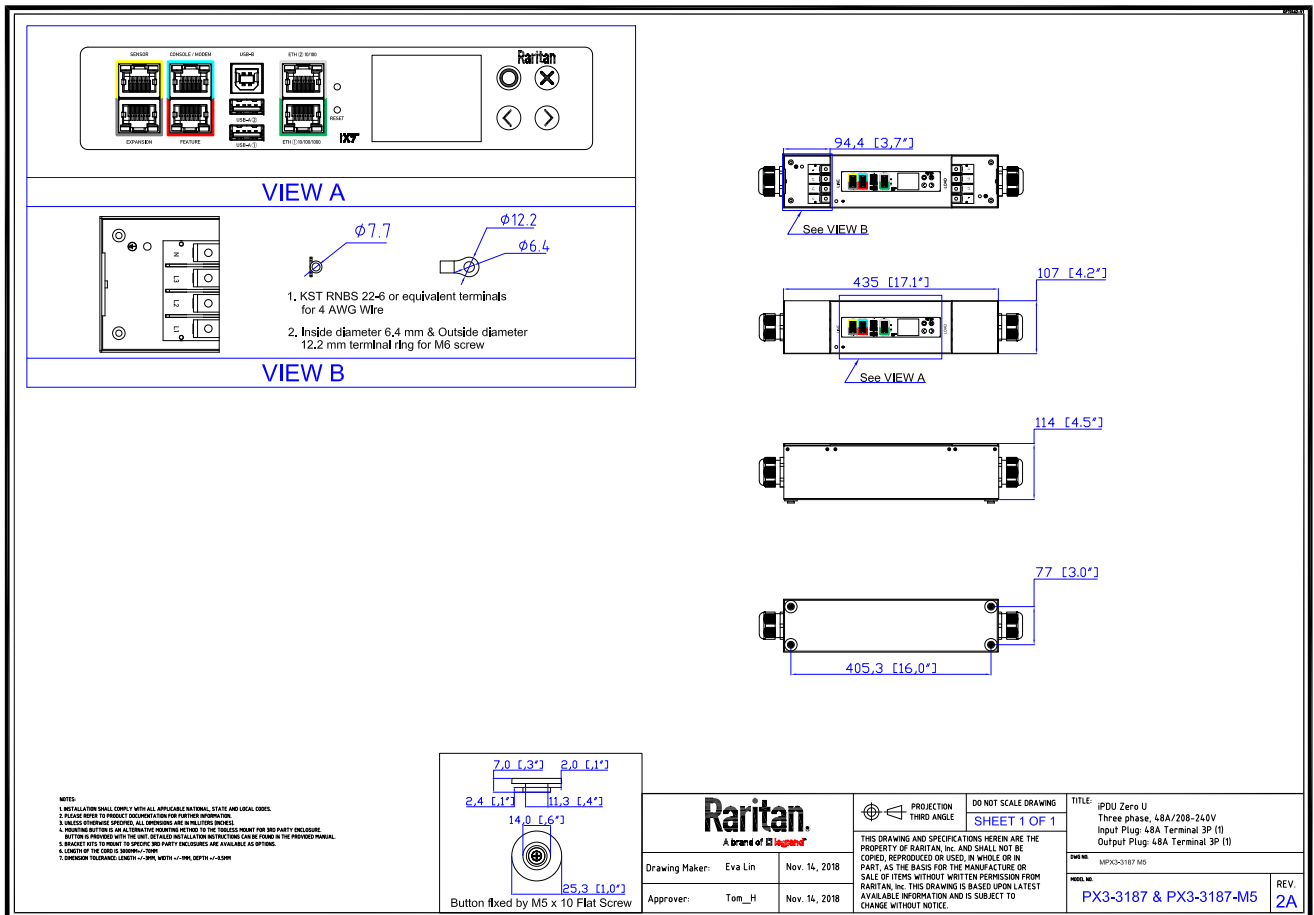


## Technical Specifications / Engineering Submittals

Raritan Model Number: PX3-3187

rev20250209

### MECHANICAL DIAGRAM



## Technical Specifications / Engineering Submittals

Raritan Model Number: PX3-3187

rev20250209

### TRIP CURVE

This file generated on: Sun, February 09, 2025 - 22:44:10