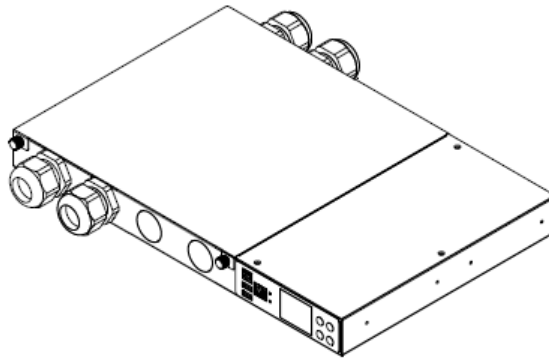


## Technical Specifications / Engineering Submittals

Raritan Model Number: PX3-3222

rev20250209

### LINE DRAWING



### FEATURES

<b>Energy Metering</b>	Voltage (V), Current (A), Active Power (kW), Real Power (kVA), Energy (kWh), Power Factor
<b>Metering Accuracy</b>	ISO/IEC 62053-21 1%
<b>Metering per Input Line</b>	Yes
<b>Metering per Branch Circuit Breaker</b>	No
<b>Metering per Output Receptacle</b>	No
<b>Remote Outlet Switching</b>	No
<b>Environmental Sensor Ready</b>	Yes
<b>Replaceable Controller</b>	No
<b>Compatible Sensors</b>	Temperature, Humidity, Air Flow, Differential Pressure, Water Leak, and Contact Closure
<b>Networking</b>	Gigabit (10/100/1000 BaseT) Ethernet port; secondary, redundant (10/100 BaseT) Ethernet port. Optional WiFi (802.11a/b/g/n)
<b>Remote Management</b>	HTTP(s); SSH; Telnet; RS-232 (Serial); Power IQ; SNMP version v2/v3; SMTP; JSON-RPC; Modbus over TCP
<b>Cascading</b>	Yes, Max 32 PDUs can be daisy chained using a USB connection and 32 PDUs using Ethernet connection
<b>Onboard Display</b>	Color, matrix LCD display : Voltage, current, or active power (per line); Alarms; Configuration information (name, ratings, IP / Networking information)
<b>Embedded Processor</b>	ARM Cortex A5 536MHZ (Atmel A5D35A), 16MB SPI Flash, 64MB DDR2 RAM

## Technical Specifications / Engineering Submittals

Raritan Model Number: PX3-3222

rev20250209

### INPUT

Input Plug	IEC 60309 2P+E 6h 32A (2P3W), IP44
Cord Length	3 meters (9.84 feet) standard
Cord Entry	Rear feed
Cable Type	N-S LSOH 3G6.0
Number of Power Cords	2
Maximum Input Current	32A
Nominal Input Voltage	230V
Rated Input Voltage	200 - 240V
Input Frequency	50/60Hz
Power Capacity	0.0kVA at 200V, 0.0kVA at 240V

### OUTPUT

Nominal Output Voltage	230V
Rated Output Voltage	200 - 240V
Receptacles (Output Connections)	(2) IEC 60309 2P+E 6h 32A, 32A
Securelock Support	No
Cord Retention	No
Overload Protection	N/A

### PHYSICAL

Color	Black powder coat (custom colors available)
Unit Dimensions (WxDxH)	17.3" x 11.3" x 1.7" ; 440mm x 287mm x 44mm
Unit Weight	7.7 kg
Shipping Weight	10.6 kg
Shipping Dimensions (WxDxH)	21.85" x 21.46" x 9.65" ; 555mm x 545mm x 245mm
Mounting	RACK-KIT-PX-1U-P

## Technical Specifications / Engineering Submittals

Raritan Model Number: PX3-3222

rev20250209

### ENVIRONMENTAL

---

Operating Temperature 60°C

---

Operating Relative Humidity 85%

---

Operating Elevation 0-6000ft

---

### CONFORMANCE

---

Regulatory Approvals CE, Canada ICES-003, Part 15 Class A of the FCC rules,  
RoHS compliant

---

Warranty Standard 2 years manufacturer warranty

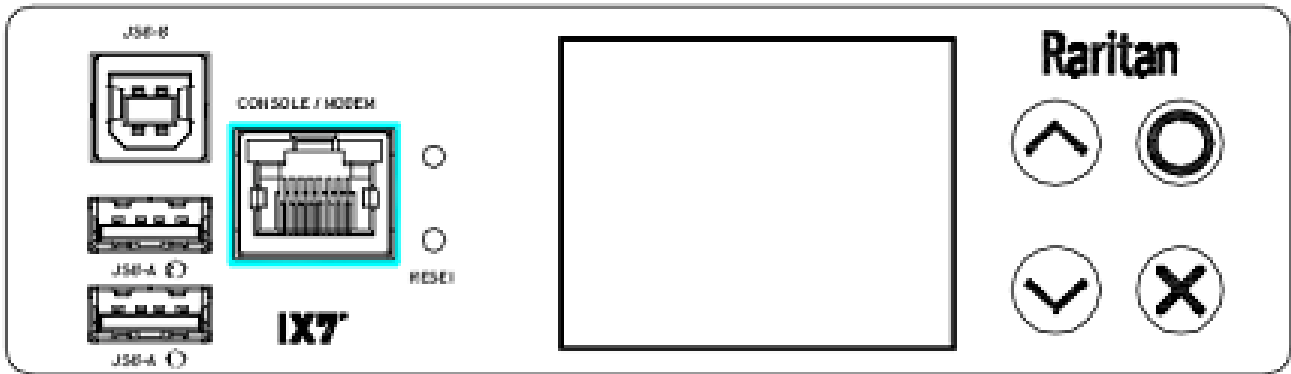
---

## Technical Specifications / Engineering Submittals

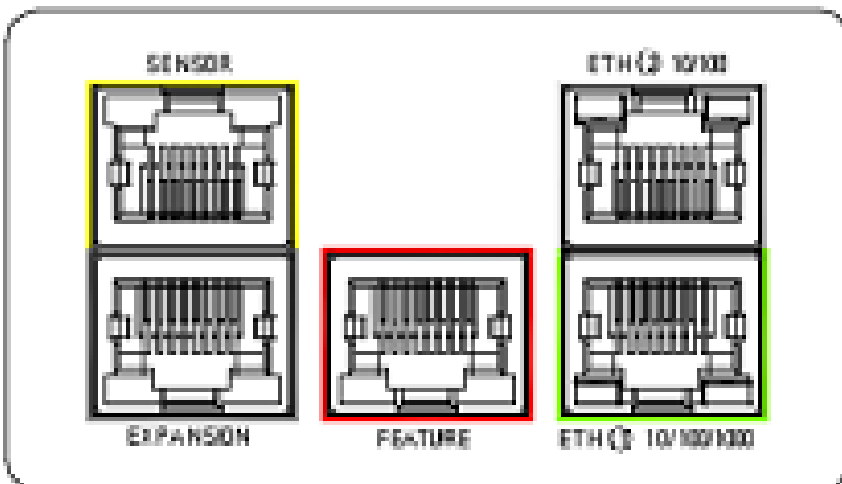
Raritan Model Number: PX3-3222

rev20250209

### CONTROL PANEL



### CONTROL PANEL2

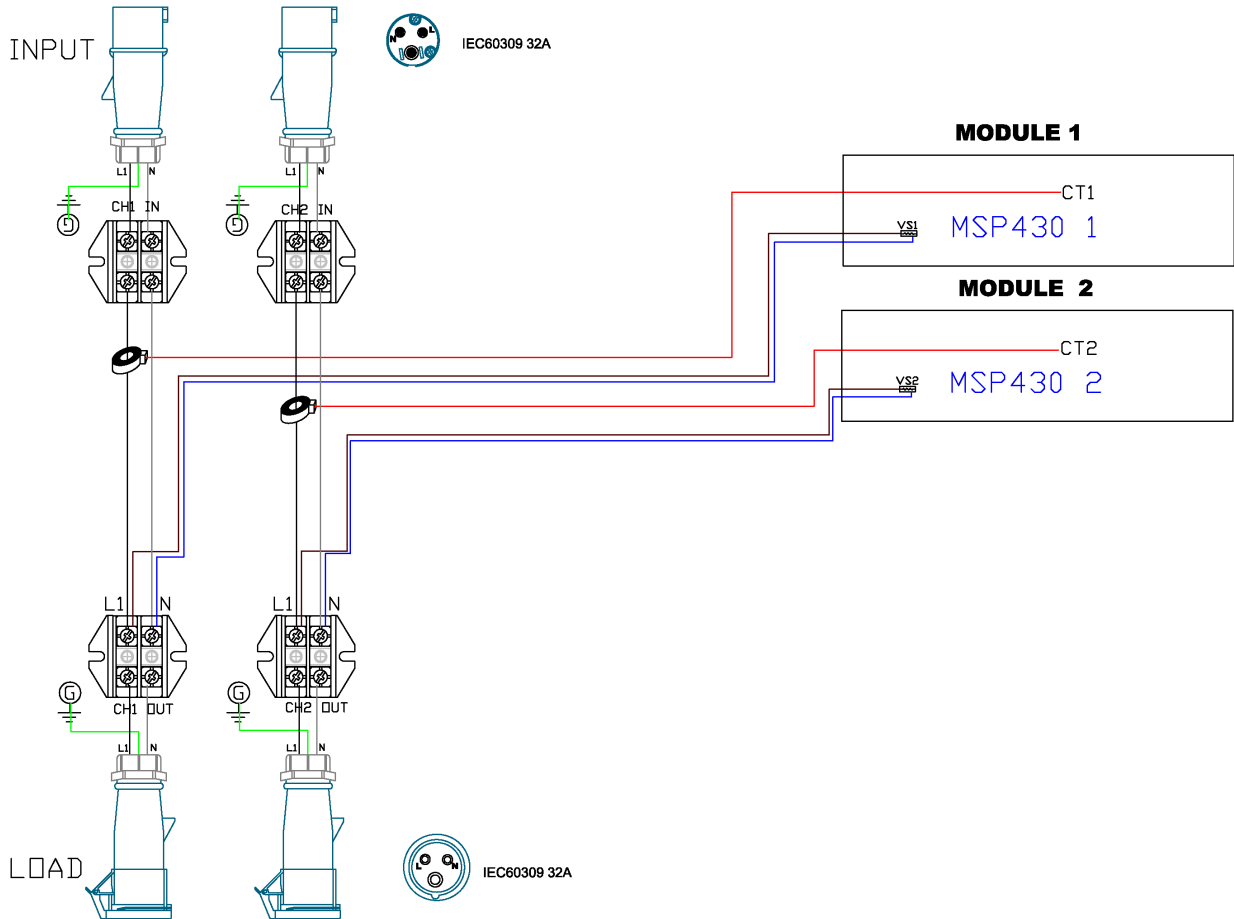


# Technical Specifications / Engineering Submittals

Raritan Model Number: PX3-3222

rev20250209

## ELECTRICAL (ONE LINE) DIAGRAM

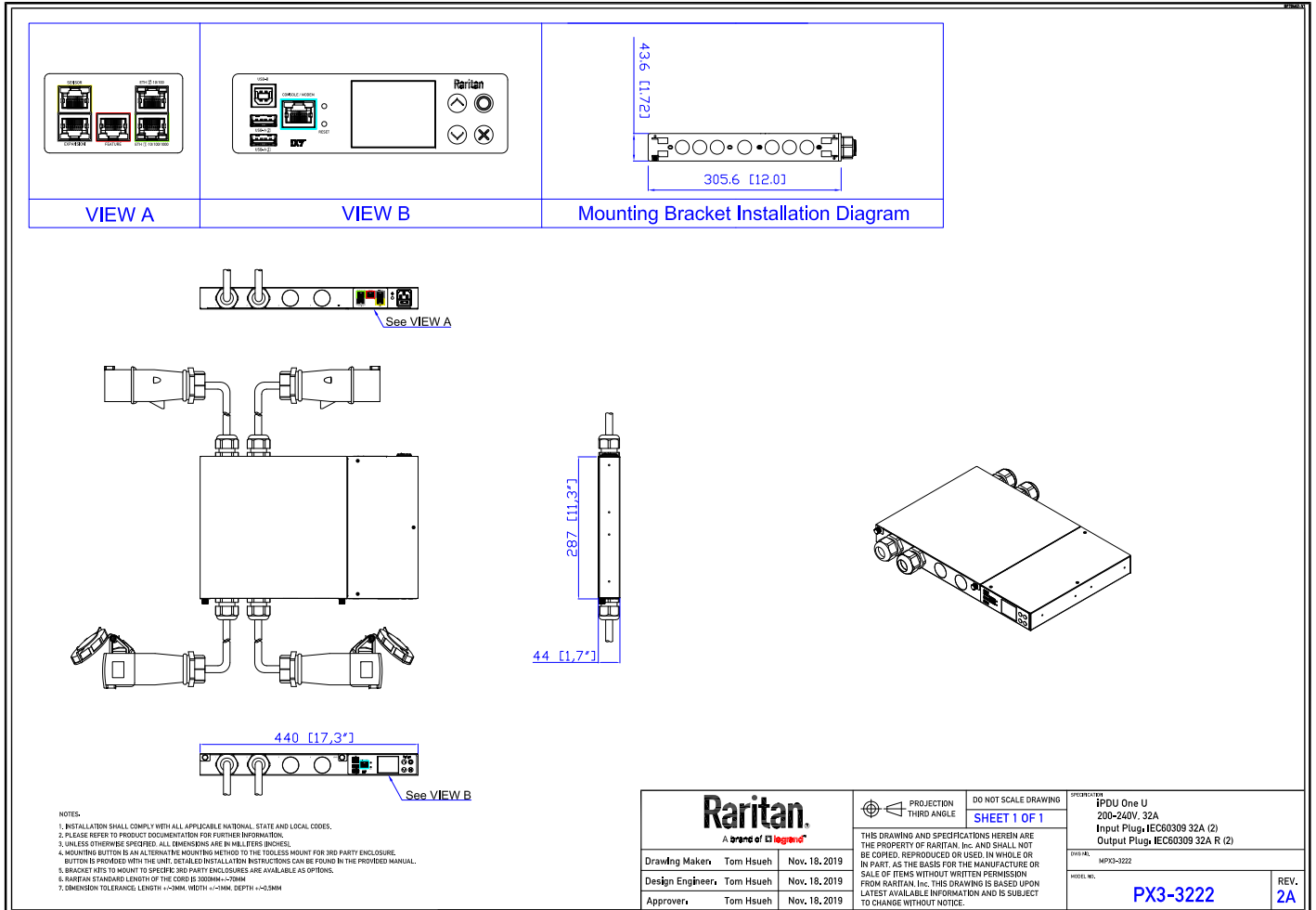


## Technical Specifications / Engineering Submittals

Raritan Model Number: PX3-3222

rev20250209

### MECHANICAL DIAGRAM



## Technical Specifications / Engineering Submittals

Raritan Model Number: PX3-3222

rev20250209

### TRIP CURVE

This file generated on: Sun, February 09, 2025 - 22:44:22