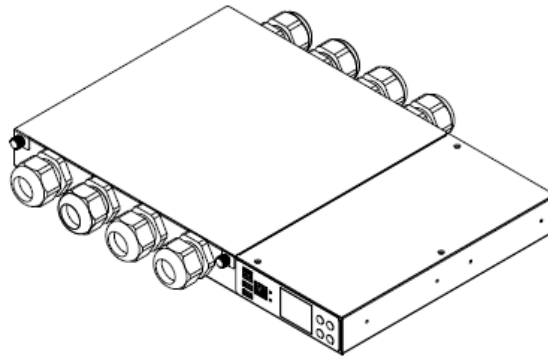


## Technical Specifications / Engineering Submittals

Raritan Model Number: PX3-3420

rev20200701

### LINE DRAWING



### FEATURES

|                                     |  |
|-------------------------------------|--|
| Energy Metering                     | Voltage (V), Current (A), Active Power (kW), Real Power (kVA), Energy (kWh), Power Factor  |
| Metering Accuracy                   | ISO/IEC 62053-21 1%  |
| Metering per Input Line             | Yes  |
| Metering per Branch Circuit Breaker | No   |
| Metering per Output Receptacle      | No   |
| Remote Outlet Switching             | No   |
| Environmental Sensor Ready          | Yes  |
| Replaceable Controller              | No   |
| Compatible Sensors                  | Temperature, Humidity, Air Flow, Differential Pressure, Water Leak, and Contact Closure  |
| Networking                          | Gigabit (10/100/1000 BaseT) Ethernet port; secondary, redundant (10/100 BaseT) Ethernet port. Optional WiFi (802.11a/b/g/n)                              |
| Remote Management                   | HTTP(s); SSH; Telnet; RS-232 (Serial); Power IQ; SNMP version v2/v3; SMTP; JSON-RPC; Modbus over TCP   |
| Cascading                           | Yes, Max 16 PDUs can be daisy chained using a single Ethernet or USB connection  |
| Onboard Display                     | Color, matrix LCD display : Voltage, current, or active power (per line); Alarms; Configuration information (name, ratings, IP / Networking information) |
| Embedded Processor                  | ARM Cortex A5 536MHZ (Atmel A5D35A), 16MB SPI Flash, 128MB DDR2 RAM  |

## Technical Specifications / Engineering Submittals

Raritan Model Number: PX3-3420

rev20200701

### INPUT

|                       |                                |
|-----------------------|--------------------------------|
| Input Plug            | AC Terminal (N/A)              |
| Cord Length           | N/A                            |
| Cord Entry            | Rear feed                      |
| Cable Type            |                                |
| Number of Power Cords | N/A                            |
| Maximum Input Current | 32A                            |
| Nominal Input Voltage | 208V                           |
| Rated Input Voltage   | 100 - 240V                     |
| Input Frequency       | 50/60Hz                        |
| Power Capacity        | 0.0kVA at 100V, 0.0kVA at 240V |

### OUTPUT

|                                  |                      |
|----------------------------------|----------------------|
| Nominal Output Voltage           | 208V                 |
| Rated Output Voltage             | 100 - 240V           |
| Receptacles (Output Connections) | (4) AC Terminal, 32A |
| Securelock Support               | No                   |
| Cord Retention                   | No                   |
| Overload Protection              | N/A                  |

### PHYSICAL

|                             |   |
|-----------------------------|---|
| Color                       | Black powder coat (custom colors available)     |
| Unit Dimensions (WxDxH)     | 17.3" x 11.3" x 1.7" ; 440mm x 287mm x 44mm     |
| Unit Weight                 | 6.35 kg   |
| Shipping Weight             | 6.75 kg   |
| Shipping Dimensions (WxDxH) | 22.05" x 18.5" x 11.02" ; 560mm x 470mm x 280mm |
| Mounting                    | RACK-KIT-PX-1U-P                                |

## Technical Specifications / Engineering Submittals

Raritan Model Number: PX3-3420

rev20200701

### ENVIRONMENTAL

---

|                             |             |
|-----------------------------|-------------|
| Operating Temperature       | 60°C        |
| Operating Relative Humidity | 85%         |
| Operating Elevation         | 0-6000ft    |
| Storage Temperature         | -25 to 65°C |
| Storage Humidity            | 0-100%      |
| Storage Elevation           | 0-10000ft   |

---

### CONFORMANCE

---

|                      |   |
|----------------------|---|
| Regulatory Approvals | UL Listed and CE, Canada ICES-003, Part 15 Class A of the FCC rules, RoHS compliant |
| Warranty             | Standard 2 years manufacturer warranty (Extended warranty available for purchase)   |

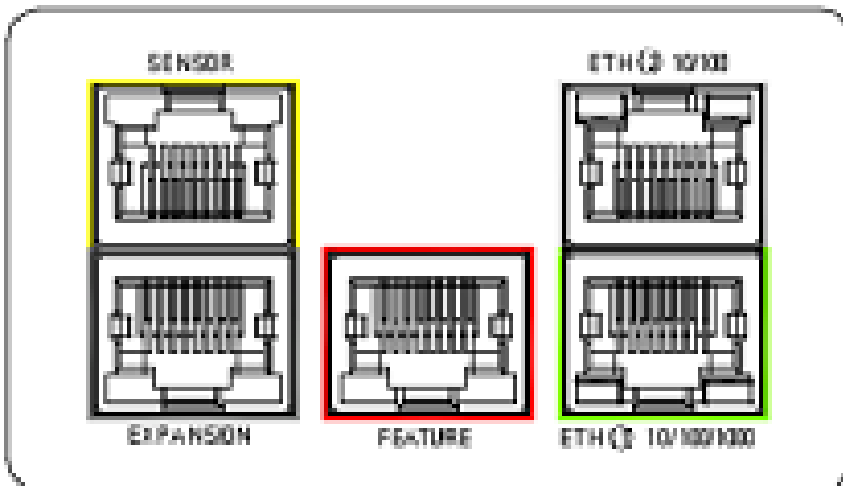
---

## Technical Specifications / Engineering Submittals

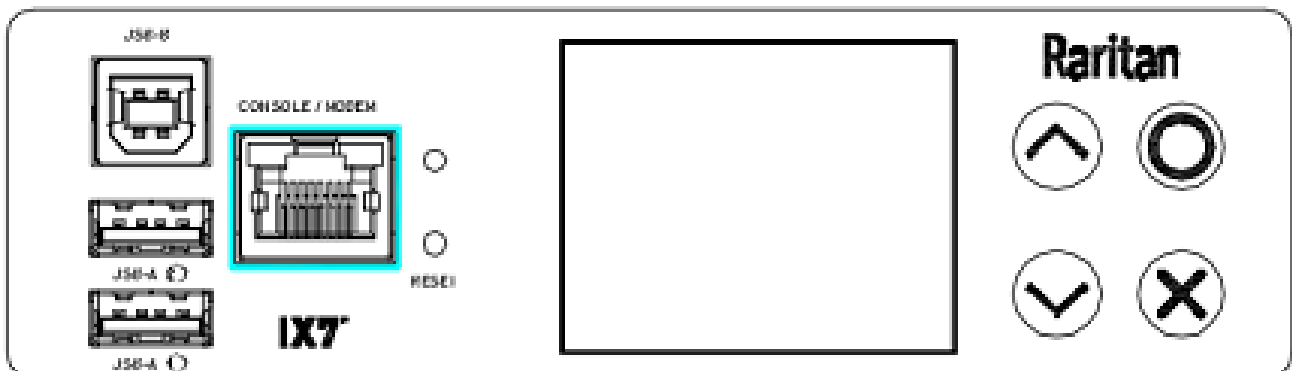
Raritan Model Number: PX3-3420

rev20200701

### CONTROL PANEL



### CONTROL PANEL2

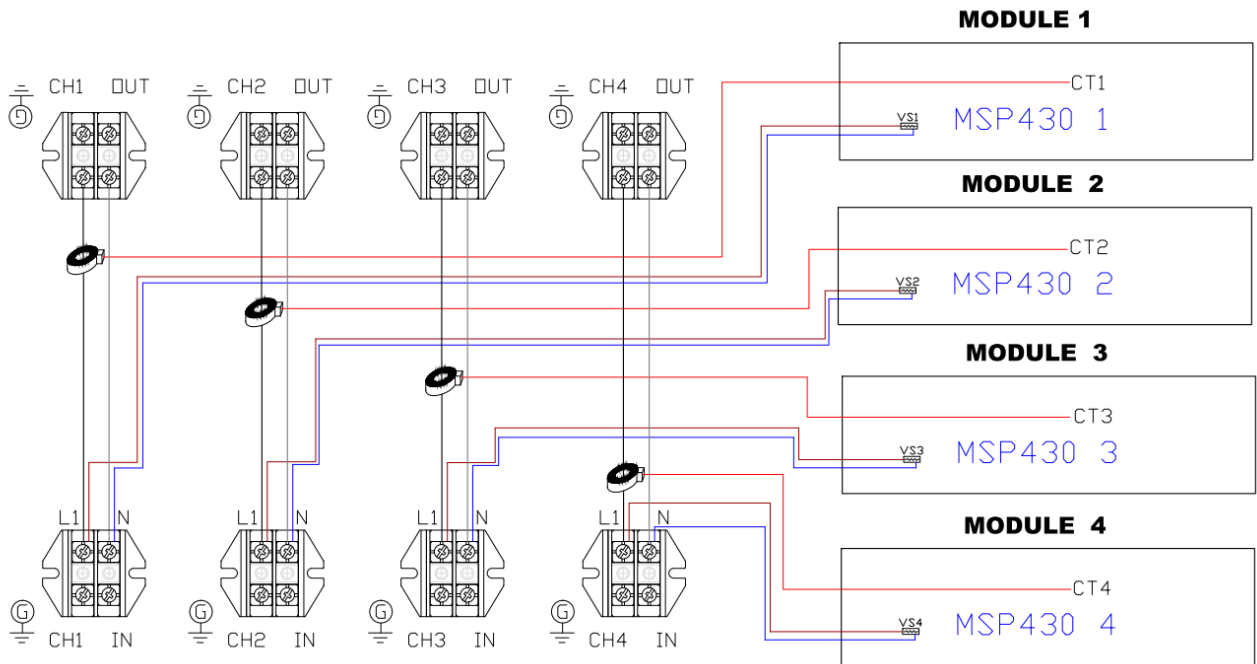


## Technical Specifications / Engineering Submittals

Raritan Model Number: PX3-3420

rev20200701

### ELECTRICAL (ONE LINE) DIAGRAM



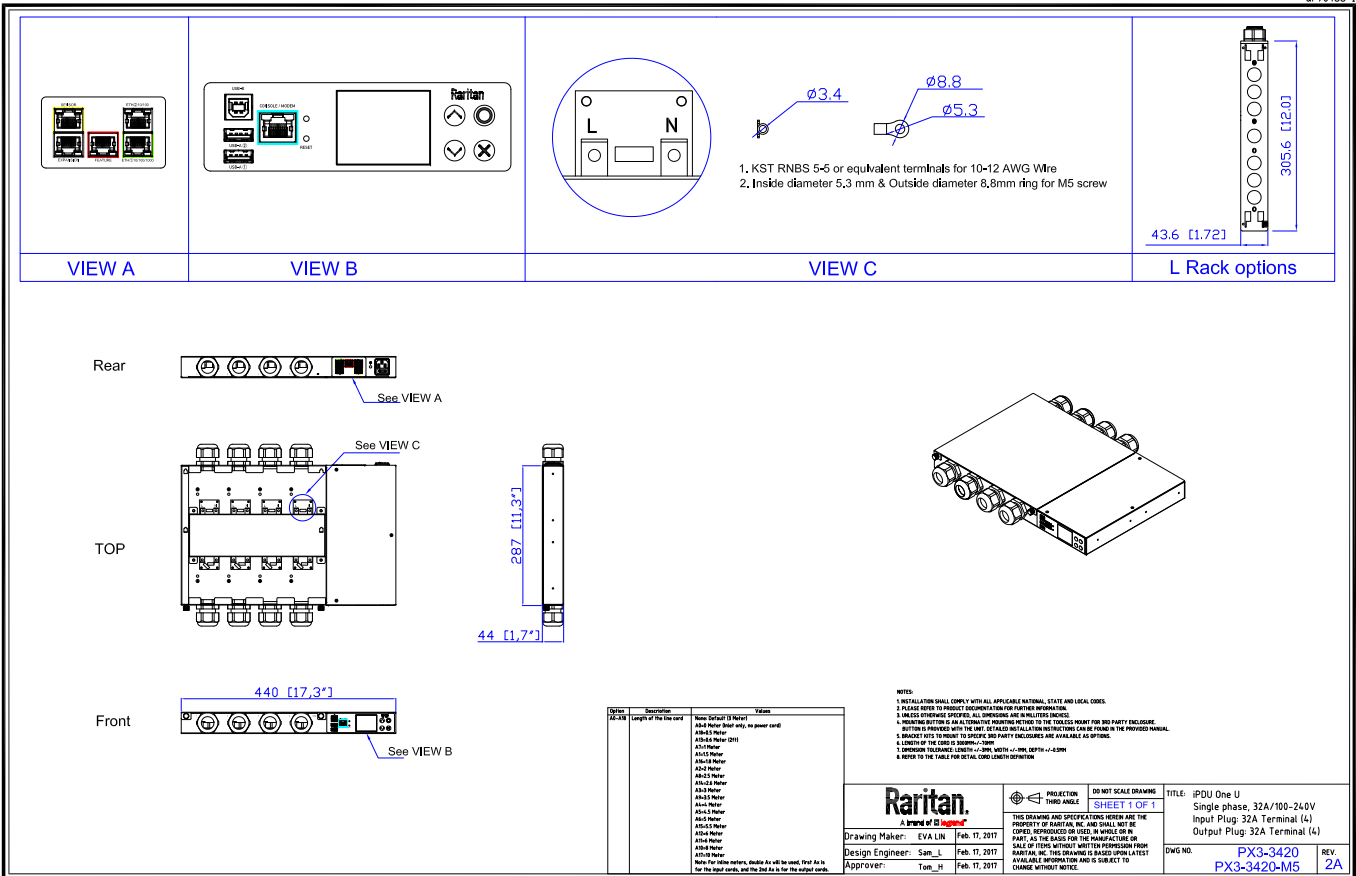
## Technical Specifications / Engineering Submittals

Raritan Model Number: PX3-3420

rev20200701

### MECHANICAL DIAGRAM

QF70455-1



## Technical Specifications / Engineering Submittals

Raritan Model Number: PX3-3420

rev20200701

### TRIP CURVE

This file generated on: Wed, July 01, 2020 - 05:32:35