

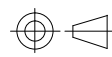


NEMA L14-30P

 Raritan. A brand of  Legend		 PROJECTION THIRD ANGLE	DO NOT SCALE DRAWING		TITLE: iPDU 0U, Metered only, Three phase Wye 24A / 200-240V Input : NEMA L14-30P Output : (20) C13 Locking, (6) C19 Locking, (6) 5-20R
			SHEET 1 OF 1		
Drawing Maker: Michael Lin	MAR/14/2017	THIS DRAWING AND SPECIFICATIONS HEREIN ARE THE PROPERTY OF RARITAN, INC. AND SHALL NOT BE COPIED, REPRODUCED OR USED, IN WHOLE OR IN PART, AS THE BASIS FOR THE MANUFACTURE OR SALE OF ITEMS WITHOUT WRITTEN PERMISSION FROM RARITAN, INC. THIS DRAWING IS BASED UPON LATEST AVAILABLE INFORMATION AND IS SUBJECT TO CHANGE WITHOUT NOTICE.		DWG NO. TPX3-4039-E2P1	REV. 2A
Design Engineer: Albert Lee	JUL/17/2015				
Approver: Alex Lee	MAR/14/2017				