

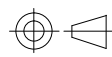


NEMA L14-30P

 Raritan. A brand of  Legrand	 PROJECTION THIRD ANGLE	DO NOT SCALE DRAWING SHEET 1 OF 1	TITLE:
	THIS DRAWING AND SPECIFICATIONS HEREIN ARE THE PROPERTY OF RARITAN, INC. AND SHALL NOT BE COPIED, REPRODUCED OR USED, IN WHOLE OR IN PART, AS THE BASIS FOR THE MANUFACTURE OR SALE OF ITEMS WITHOUT WRITTEN PERMISSION FROM RARITAN, INC. THIS DRAWING IS BASED UPON LATEST AVAILABLE INFORMATION AND IS SUBJECT TO CHANGE WITHOUT NOTICE.		iPDU 0U, Metered only, Three phase Wye 24A / 200-240V Input : NEMA L14-30P Output : (20) C13 Locking, (6) C19 Locking, (6) 5-20R
Drawing Maker: Michael Lin MAR/14/2017 Design Engineer: Caspar Chen FEB/26/2015 Approver: Alex Lee MAR/14/2017	TPX3-4039-E2		REV. 2A