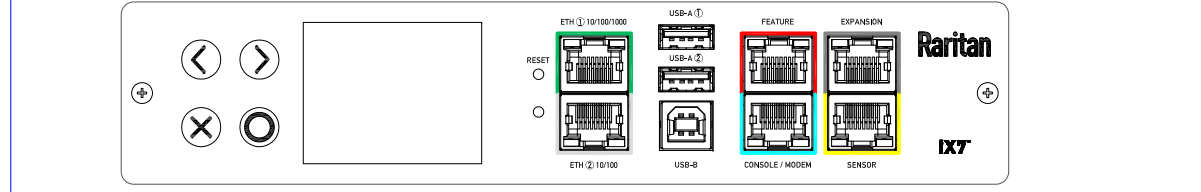
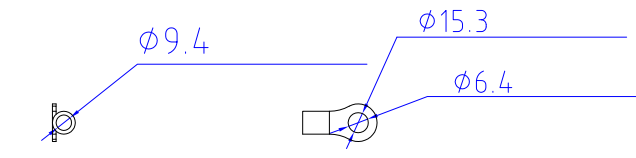
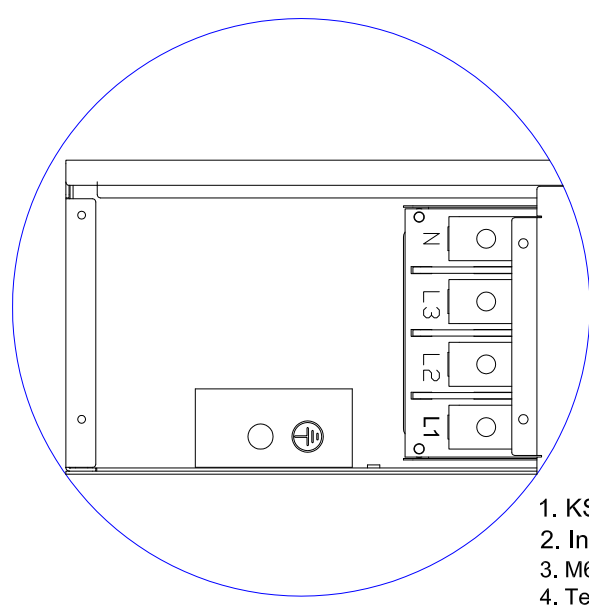


VIEW A

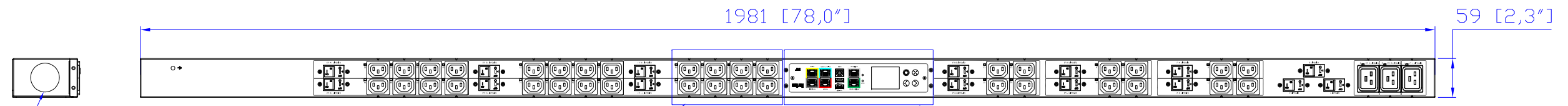


VIEW B



1. KST RNBS 38-6 or equivalent terminals for 2 AWG Wire
2. Inside diameter 6.4 mm & Outside diameter 13.5 mm terminal for M6 screw
3. M6 screw torque: 30Kgf.cm
4. Temperature rating for the terminal block: 105 °C

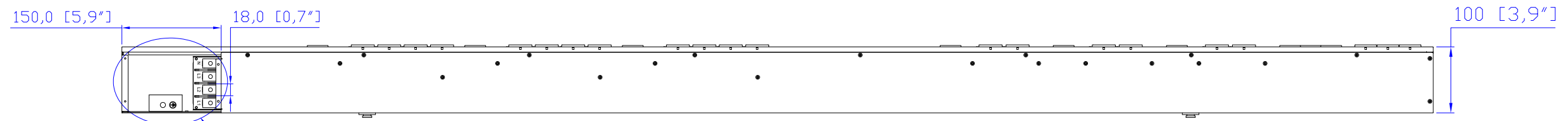
VIEW C



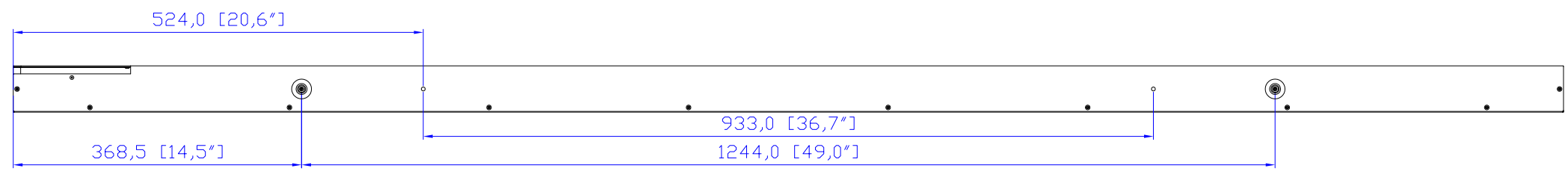
Knockout size: Ø1.734" for 1 1/4" flexible steel conduit cable and fitting

See VIEW A

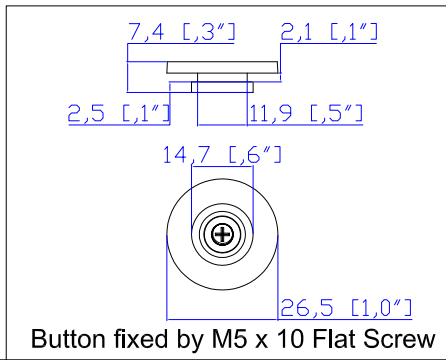
See VIEW B



See VIEW C



- NOTES:
1. INSTALLATION SHALL COMPLY WITH ALL APPLICABLE NATIONAL, STATE AND LOCAL CODES.
  2. PLEASE REFER TO PRODUCT DOCUMENTATION FOR FURTHER INFORMATION.
  3. UNLESS OTHERWISE SPECIFIED, ALL DIMENSIONS ARE IN MILLIMETERS [INCHES].
  4. MOUNTING BUTTON IS AN ALTERNATIVE MOUNTING METHOD TO THE TOOLLESS MOUNT FOR 3RD PARTY ENCLOSURE. BUTTON IS PROVIDED WITH THE UNIT. DETAILED INSTALLATION INSTRUCTIONS CAN BE FOUND IN THE PROVIDED MANUAL.
  5. BRACKET KITS TO MOUNT TO SPECIFIC 3RD PARTY ENCLOSURES ARE AVAILABLE AS OPTIONS.
  6. LENGTH OF THE CORD IS 3000MM +/- 70MM
  7. DIMENSION TOLERANCE: LENGTH +/- 3MM, WIDTH +/- 1MM, DEPTH +/- 0.5MM
  8. REFER TO THE TABLE FOR DETAIL CORD LENGTH DEFINITION



<p><b>Raritan</b> A brand of  <b>legrand</b></p>	PROJECTION THIRD ANGLE DO NOT SCALE DRAWING <b>SHEET 1 OF 1</b>	TITLE: iPDU Zero U Three Phase, 80A/380-415V Plug Type: 80A Terminal 3PY Outlet Type: C13 (36), C19 (3)	
		Drawing Maker: Eva Lin      June 07. 2017 Design Engineer: Kenny_C      June 07. 2017 Approver: Tom_H      June 07. 2017	DWG NO: MPX3-4087YU-V2 M5  MODEL NO: <b>PX3-4087YU-V2 &amp; PX3-4087YU-V2M5</b>