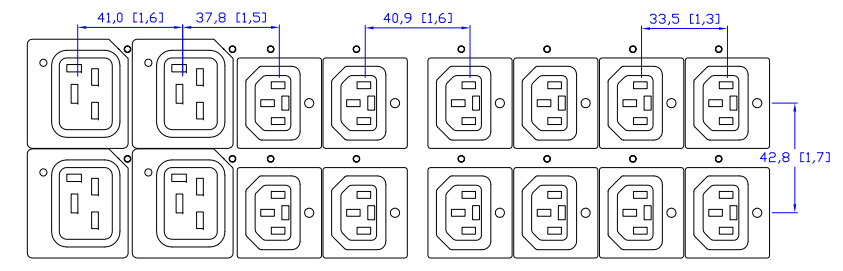
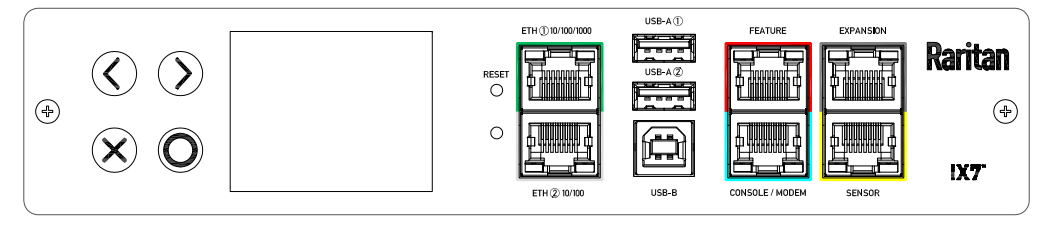


- 1. KST RNBS 22-6 or equivalent terminals for 4 AWG Wire
- 2. Inside diameter 6.4 mm & Outside diameter 12.2 mm terminal ring for M6 screw

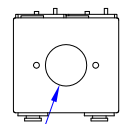
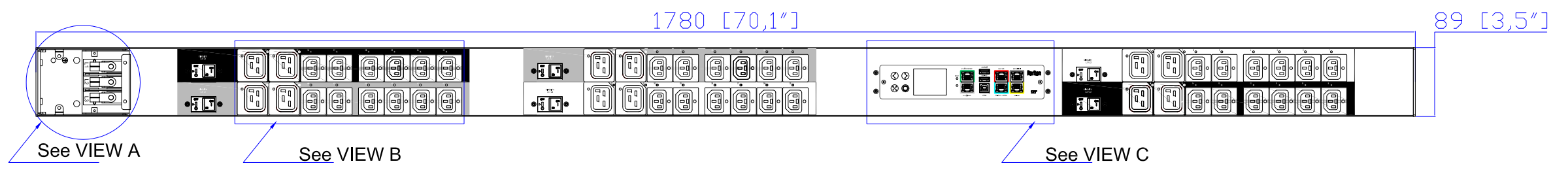
VIEW A



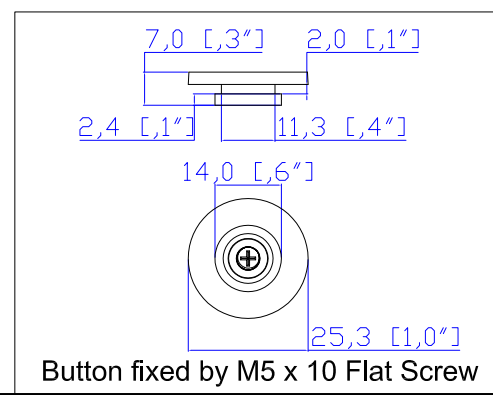
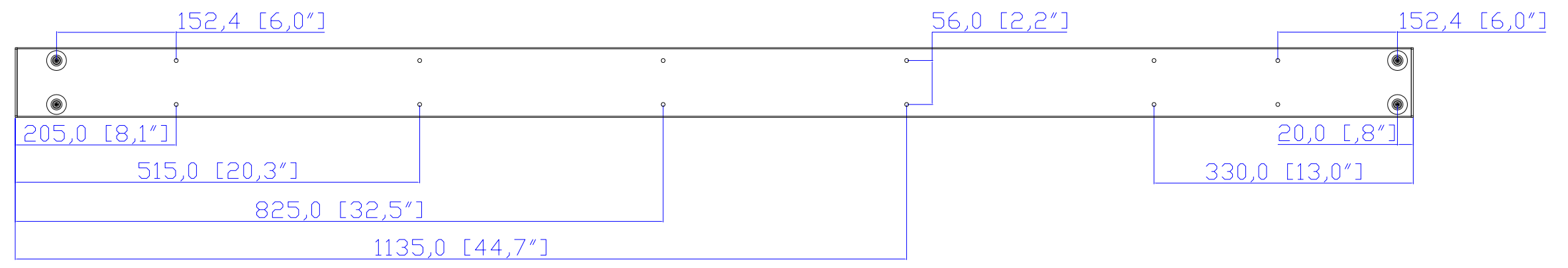
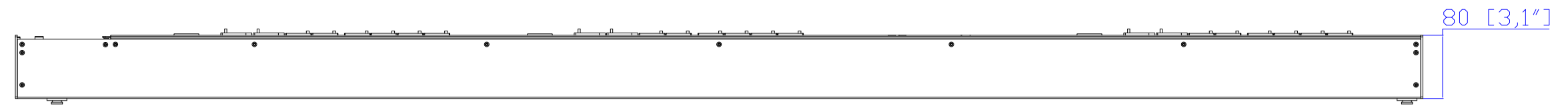
VIEW B



VIEW C



Knockout size (opening): 1.375" for Ø1" flexible steel conduit cable and fitting



- NOTES:
1. INSTALLATION SHALL COMPLY WITH ALL APPLICABLE NATIONAL, STATE AND LOCAL CODES.
 2. PLEASE REFER TO PRODUCT DOCUMENTATION FOR FURTHER INFORMATION.
 3. UNLESS OTHERWISE SPECIFIED, ALL DIMENSIONS ARE IN MILLIMETERS (INCHES).
 4. MOUNTING BUTTON IS AN ALTERNATIVE MOUNTING METHOD TO THE TOOLLESS MOUNT FOR 3RD PARTY ENCLOSURE. BUTTON IS PROVIDED WITH THE UNIT. DETAILED INSTALLATION INSTRUCTIONS CAN BE FOUND IN THE PROVIDED MANUAL.
 5. BRACKET KITS TO MOUNT TO SPECIFIC 3RD PARTY ENCLOSURES ARE AVAILABLE AS OPTIONS.
 6. LENGTH OF THE CORD IS 3000MM +/- 70MM
 7. DIMENSION TOLERANCE: LENGTH +/- 3MM, WIDTH +/- 1MM, DEPTH +/- 0.5MM
 8. REFER TO THE TABLE FOR DETAIL CORD LENGTH DEFINITION

Raritan A brand of Legrand	
Drawing Maker: Eva Lin	Nov. 20, 2017
Design Engineer: Kenny_C	Nov. 20, 2017
Approver: Tom_H	Nov. 20, 2017

PROJECTION THIRD ANGLE
DO NOT SCALE DRAWING
SHEET 1 OF 1

THIS DRAWING AND SPECIFICATIONS HEREIN ARE THE PROPERTY OF RARITAN, Inc. AND SHALL NOT BE COPIED, REPRODUCED OR USED, IN WHOLE OR IN PART, AS THE BASIS FOR THE MANUFACTURE OR SALE OF ITEMS WITHOUT WRITTEN PERMISSION FROM RARITAN, Inc. THIS DRAWING IS BASED UPON LATEST AVAILABLE INFORMATION AND IS SUBJECT TO CHANGE WITHOUT NOTICE.

TITLE: iPDU Zero U Three Phase, 48A/208-240V Plug Type: 48A Terminal 3P Outlet Type: Locking C13 (36), Locking C19 (12)	
DWG NO. MPX3-4098YV-E2P1V2 M5 & MPX3-5098YV-E2P1V2 M5	
MODEL NO. PX3-4098YV-E2P1V2 & PX3-5098YV-E2P1V2 PX3-4098YV-E2P1V2M5 & PX3-5098YV-E2P1V2M5	REV. 2A