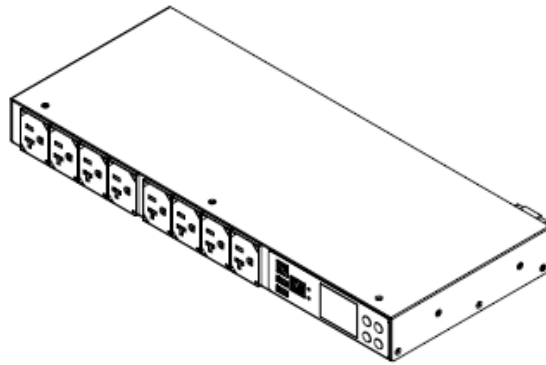


## Technical Specifications / Engineering Submittals

Raritan Model Number: PX3-4146R

rev20250209

### LINE DRAWING



### FEATURES

|                                     |   |
|-------------------------------------|---|
| Energy Metering                     | Voltage (V), Current (A), Active Power (kW), Real Power (kVA), Energy (kWh), Power Factor   |
| Metering Accuracy                   | ISO/IEC 62053-21 1% (see page 3 for details)  |
| Metering per Input Line             | Yes   |
| Metering per Branch Circuit Breaker | No  |
| Metering per Output Receptacle      | Yes   |
| Remote Outlet Switching             | No  |
| Environmental Sensor Ready          | Yes   |
| Replaceable Controller              | No  |
| Compatible Sensors                  | Temperature, Humidity, Air Flow, Differential Pressure, Water Leak, and Contact Closure   |
| Networking                          | Gigabit (10/100/1000 BaseT) Ethernet port; secondary, redundant (10/100 BaseT) Ethernet port. Optional WiFi (802.11a/b/g/n)   |
| Remote Management                   | HTTP(s); SSH; Telnet; RS-232 (Serial); Power IQ; SNMP version v2/v3; SMTP; JSON-RPC; Modbus over TCP  |
| Cascading                           | Yes, Max 32 PDUs can be daisy chained using a USB connection and 32 PDUs using Ethernet connection  |
| Onboard Display                     | Color, matrix LCD display : Voltage, current, or active power (per line, or per receptacle /outlet); Alarms; Configuration information (name, ratings, IP / Networking information) |
| Embedded Processor                  | ARM Cortex A5 536MHZ (Atmel A5D35A), 16MB SPI Flash, 64MB DDR2 RAM  |

## Technical Specifications / Engineering Submittals

Raritan Model Number: PX3-4146R

rev20250209

### INPUT

|                       |                                |
|-----------------------|--------------------------------|
| Input Plug            | NEMA 5-20P (2P3W), IP44        |
| Cord Length           | 3 meters (9.84 feet) standard  |
| Cord Entry            | Rear feed                      |
| Cable Type            | SJT 3C#12                      |
| Number of Power Cords | 1                              |
| Maximum Input Current | 20A                            |
| Nominal Input Voltage | 120V                           |
| Rated Input Voltage   | 100 - 120V                     |
| Input Frequency       | 50/60Hz                        |
| Power Capacity        | 1.6kVA at 100V, 1.9kVA at 120V |

### OUTPUT

|                                  |                     |
|----------------------------------|---------------------|
| Nominal Output Voltage           | 120V                |
| Rated Output Voltage             | 100 - 120V          |
| Receptacles (Output Connections) | (8) NEMA 5-20R, 16A |
| Securelock Support               | No                  |
| Cord Retention                   | No                  |
| Overload Protection              | N/A                 |

### PHYSICAL

|                             |   |
|-----------------------------|---|
| Color                       | Black powder coat (custom colors available)     |
| Unit Dimensions (WxDxH)     | 17.3" x 7.2" x 1.7" ; 440mm x 183mm x 44mm      |
| Unit Weight                 | 2 kg  |
| Shipping Weight             | 3.5 kg  |
| Shipping Dimensions (WxDxH) | 22.44" x 16.34" x 12.6" ; 570mm x 415mm x 320mm |
| Mounting                    | RACK-KIT-DPX-1U                                 |

## Technical Specifications / Engineering Submittals

Raritan Model Number: PX3-4146R

rev20250209

### ENVIRONMENTAL

|                             |          |
|-----------------------------|----------|
| Operating Temperature       | 60°C     |
| Operating Relative Humidity | 85%      |
| Operating Elevation         | 0-6000ft |

### CONFORMANCE

|                      |  |
|----------------------|--|
| Regulatory Approvals | UL Listed, Canada ICES-003, Part 15 Class A of the FCC rules, RoHS compliant |
| Warranty             | Standard 2 years manufacturer warranty                                       |

### ACCURACY

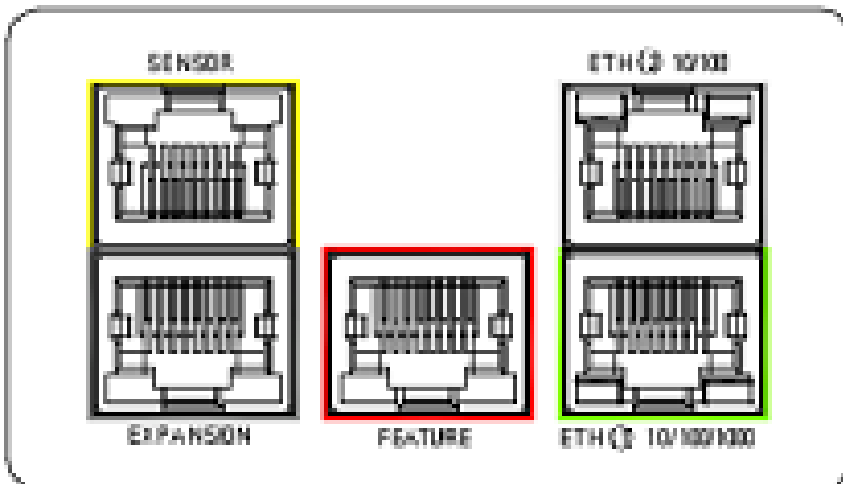
|                   | Input Measurement         | Output Measurement        |
|-------------------|---------------------------|---------------------------|
| LCD & GUI Current | ±1% at 0.1 A resolution   | ±1% at 0.1 A resolution   |
| Voltage           | ±1% at 0.1 V resolution   | ±1% at 0.1 V resolution   |
| Active Power      | ±1% at 1 W resolution     | ±1% at 1 W resolution     |
| Apparent Power    | ±1% at 1 VA resolution    | ±1% at 1 VA resolution    |
| Power Factor      | ±1% at 0.1 resolution     | ±1% at 0.1 resolution     |
| Active Energy     | ±1% at 0.1 kWh resolution | ±1% at 0.1 kWh resolution |

## Technical Specifications / Engineering Submittals

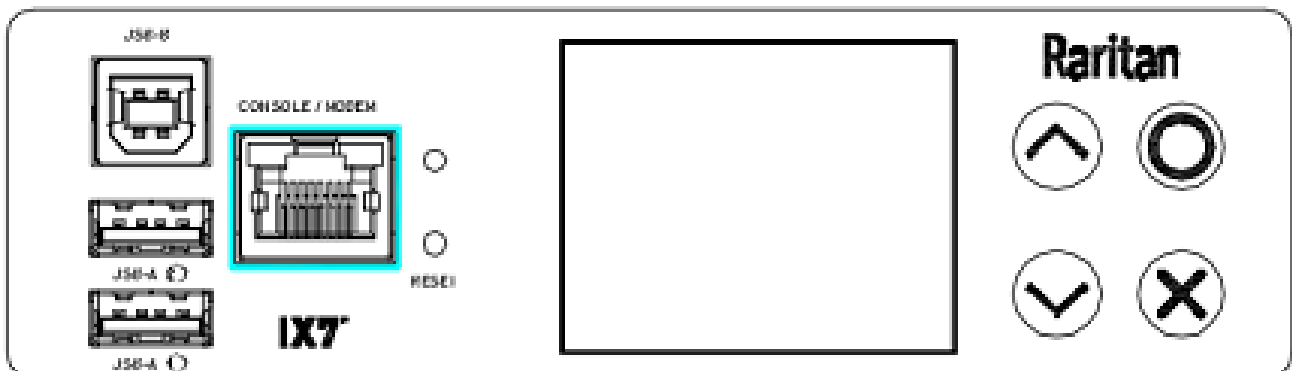
Raritan Model Number: PX3-4146R

rev20250209

### CONTROL PANEL



### CONTROL PANEL2

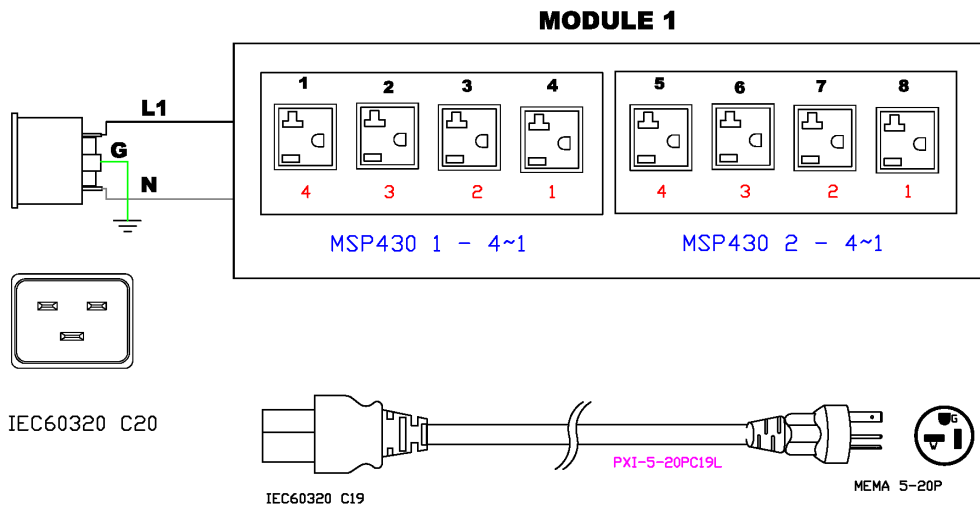


# Technical Specifications / Engineering Submittals

Raritan Model Number: PX3-4146R

rev20250209

## ELECTRICAL (ONE LINE) DIAGRAM

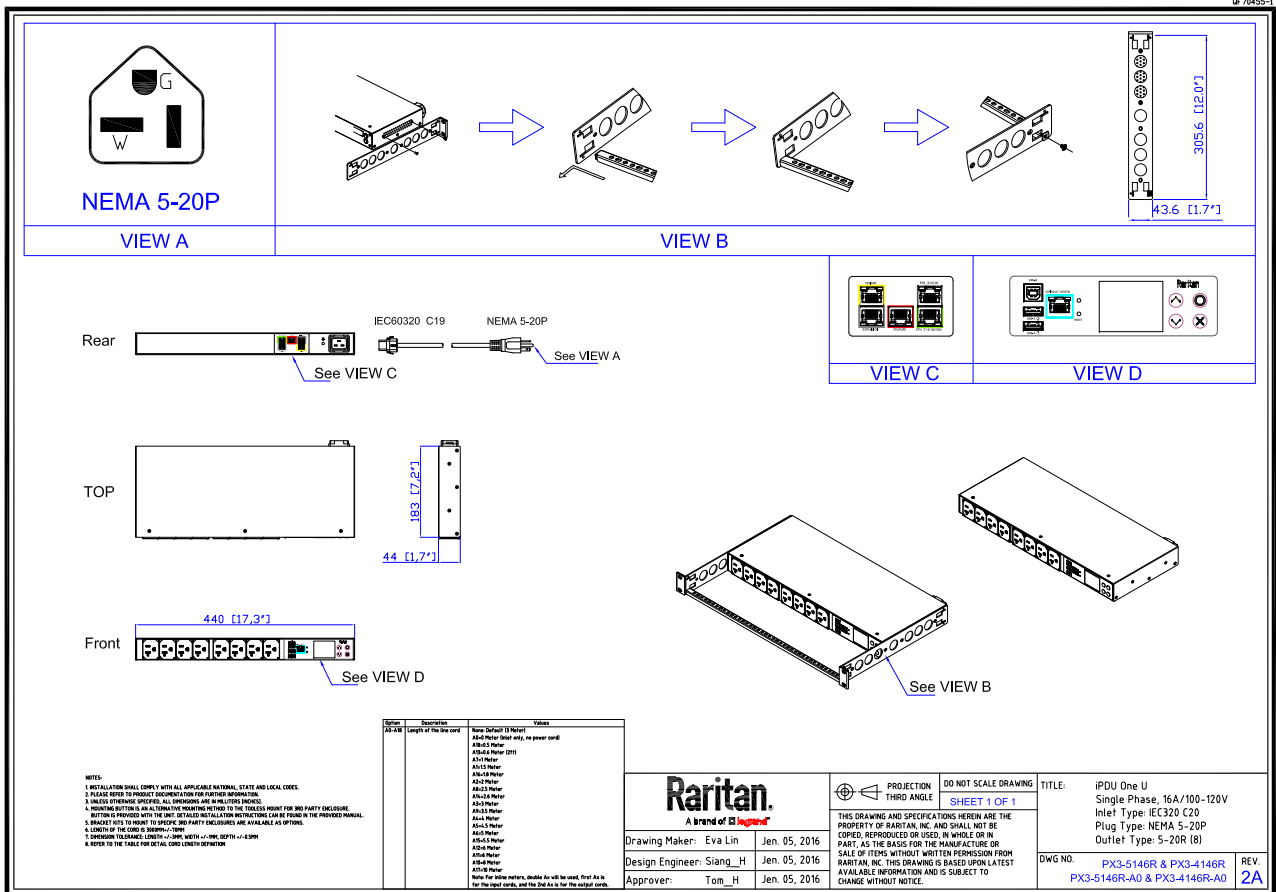


## Technical Specifications / Engineering Submittals

Raritan Model Number: PX3-4146R

rev20250209

### MECHANICAL DIAGRAM



## Technical Specifications / Engineering Submittals

Raritan Model Number: PX3-4146R

rev20250209

### TRIP CURVE

This file generated on: Sun, February 09, 2025 - 22:46:31