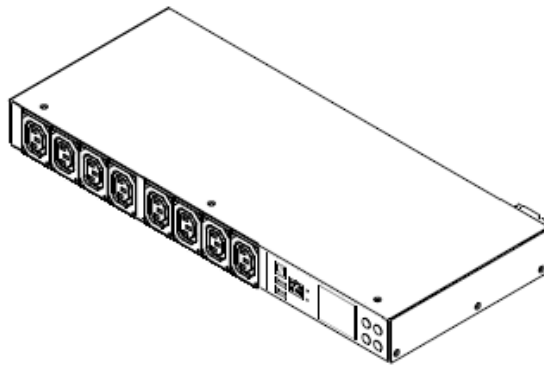


## Technical Specifications / Engineering Submittals

Raritan Model Number: PX3-4190CR

rev20200701

### LINE DRAWING



### FEATURES

<b>Energy Metering</b>	Voltage (V), Current (A), Active Power (kW), Real Power (kVA), Energy (kWh), Power Factor
<b>Metering Accuracy</b>	ISO/IEC 62053-21 1%
<b>Metering per Input Line</b>	Yes
<b>Metering per Branch Circuit Breaker</b>	No
<b>Metering per Output Receptacle</b>	Yes
<b>Remote Outlet Switching</b>	No
<b>Environmental Sensor Ready</b>	Yes
<b>Replaceable Controller</b>	No
<b>Compatible Sensors</b>	Temperature, Humidity, Air Flow, Differential Pressure, Water Leak, and Contact Closure
<b>Networking</b>	Gigabit (10/100/1000 BaseT) Ethernet port; secondary, redundant (10/100 BaseT) Ethernet port. Optional WiFi (802.11a/b/g/n)
<b>Remote Management</b>	HTTP(s); SSH; Telnet; RS-232 (Serial); Power IQ; SNMP version v2/v3; SMTP; JSON-RPC; Modbus over TCP
<b>Cascading</b>	Yes, Max 16 PDUs can be daisy chained using a single Ethernet or USB connection
<b>Onboard Display</b>	Color, matrix LCD display : Voltage, current, or active power (per line, or per receptacle /outlet); Alarms; Configuration information (name, ratings, IP / Networking information)
<b>Embedded Processor</b>	ARM Cortex A5 536MHZ (Atmel A5D35A), 16MB SPI Flash, 128MB DDR2 RAM

## Technical Specifications / Engineering Submittals

Raritan Model Number: PX3-4190CR

rev20200701

### INPUT

Input Plug	IEC 60320 C20 (2P3W)
Cord Length	3 meters (9.84 feet) standard
Cord Entry	Rear feed
Cable Type	IP44("splashproof")
Number of Power Cords	1
Maximum Input Current	16A
Nominal Input Voltage	230V
Rated Input Voltage	100 - 240V
Input Frequency	50/60Hz
Power Capacity	1.6kVA at 100V, 3.8kVA at 240V

### OUTPUT

Nominal Output Voltage	230V
Rated Output Voltage	100 - 240V
Receptacles (Output Connections)	(8) IEC320 C13, 10A
Securelock Support	Yes
Cord Retention	No
Overload Protection	N/A

### PHYSICAL

Color	Black powder coat (custom colors available)
Unit Dimensions (WxDxH)	17.3" x 7.2" x 1.7" ; 440mm x 183mm x 44mm
Unit Weight	2.6 kg
Shipping Weight	5.4 kg
Shipping Dimensions (WxDxH)	22.44" x 16.34" x 12.6" ; 570mm x 415mm x 320mm
Mounting	RACK-KIT-DPX-1U

## Technical Specifications / Engineering Submittals

Raritan Model Number: PX3-4190CR

rev20200701

### ENVIRONMENTAL

---

Operating Temperature	60°C
Operating Relative Humidity	85%
Operating Elevation	0-10000ft
Storage Temperature	-25 to 65°C
Storage Humidity	0-100%
Storage Elevation	0-10000ft

---

### CONFORMANCE

---

Regulatory Approvals	CE, Canada ICES-003, Part 15 Class A of the FCC rules, RoHS compliant
Warranty	Standard 2 years manufacturer warranty (Extended warranty available for purchase)

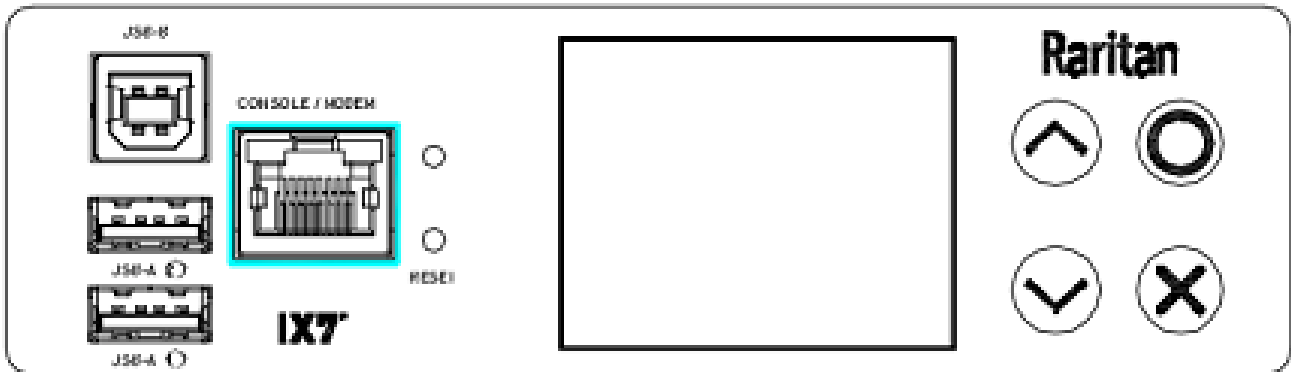
---

## Technical Specifications / Engineering Submittals

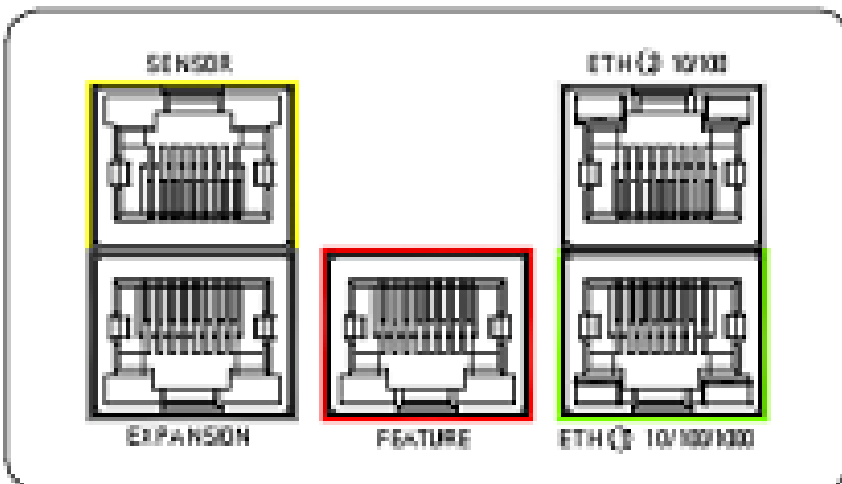
Raritan Model Number: PX3-4190CR

rev20200701

### CONTROL PANEL



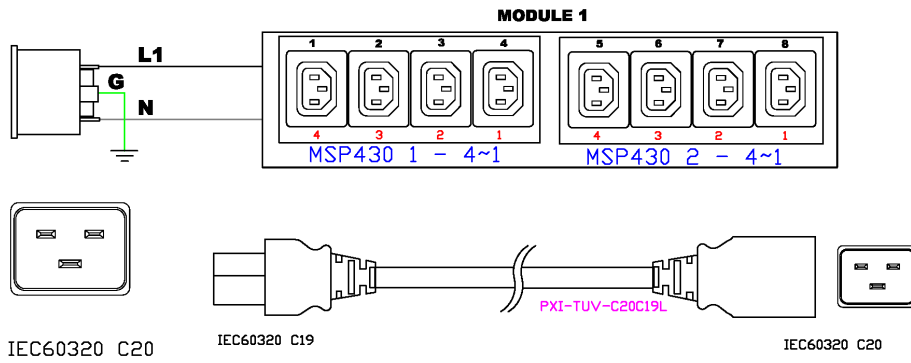
### CONTROL PANEL2



**Technical Specifications / Engineering Submittals**  
Raritan Model Number: PX3-4190CR

rev20200701

**ELECTRICAL (ONE LINE) DIAGRAM**



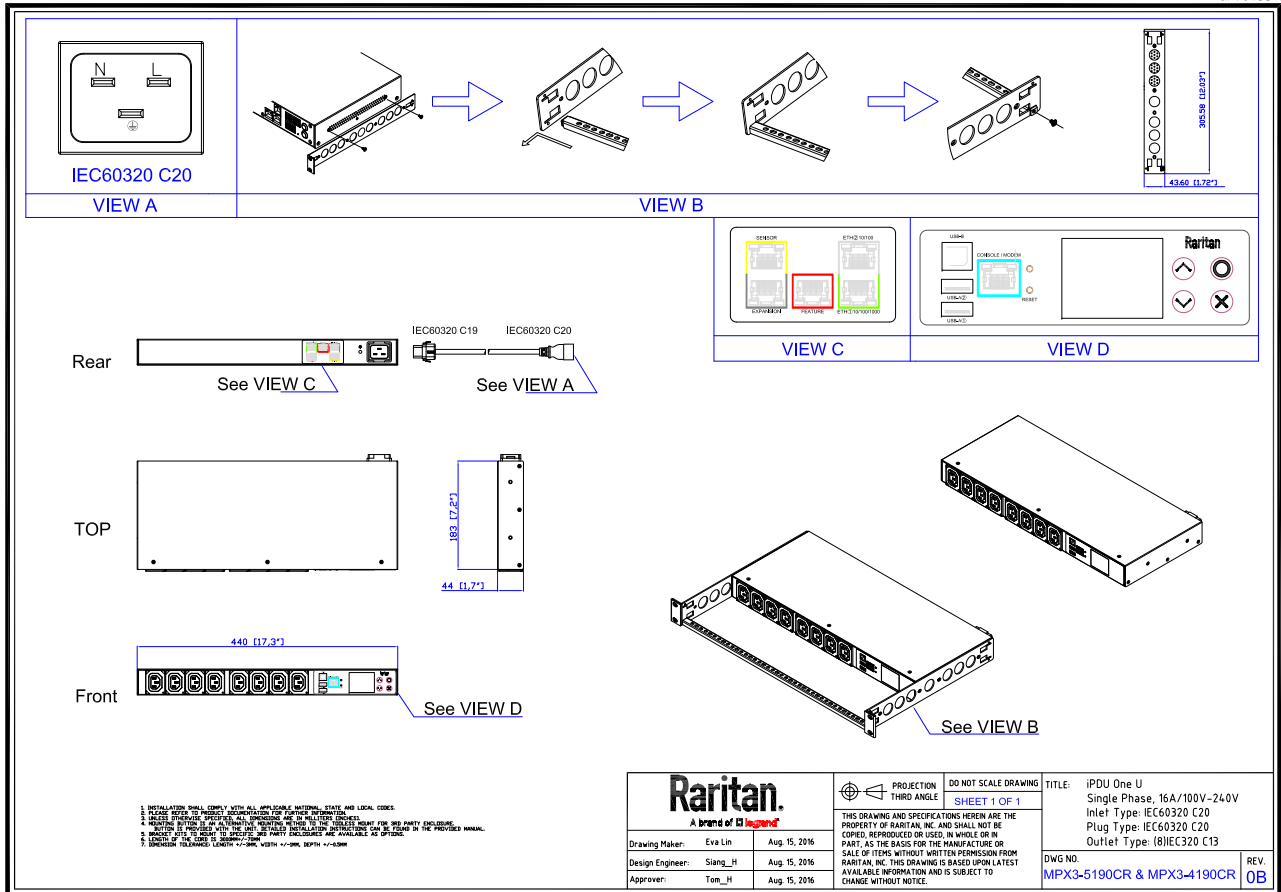
## Technical Specifications / Engineering Submittals

Raritan Model Number: PX3-4190CR

rev20200701

### MECHANICAL DIAGRAM

QF70455-1



## Technical Specifications / Engineering Submittals

Raritan Model Number: PX3-4190CR

rev20200701

### TRIP CURVE

This file generated on: Wed, July 01, 2020 - 05:33:06