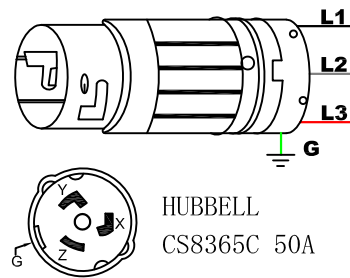
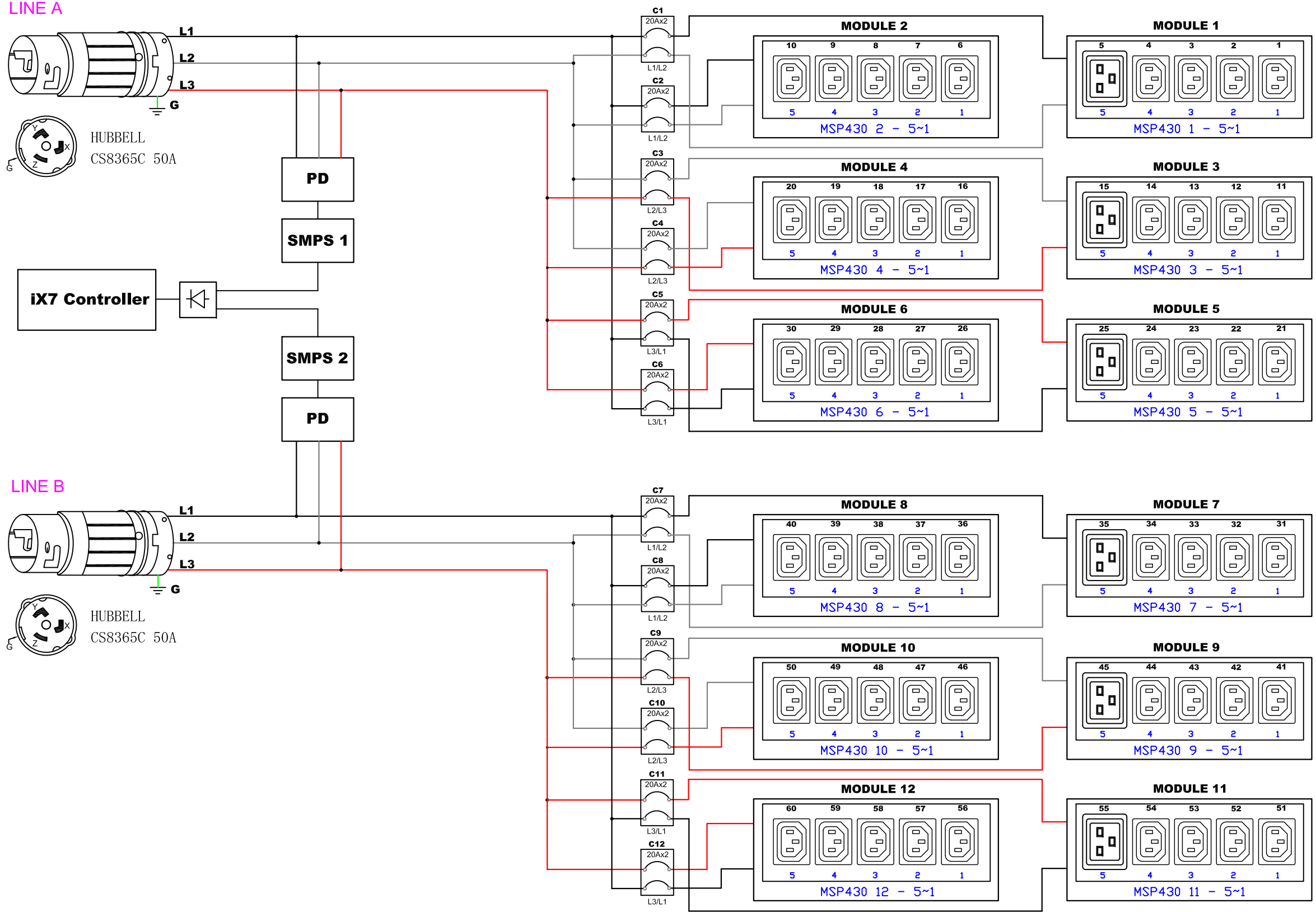
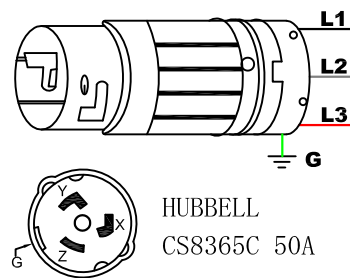


LINE A



LINE B



**Raritan**  
A brand of **Legrand**

PROJECTION  
THIRD ANGLE

DO NOT SCALE DRAWING

SHEET 1 OF 1

THIS DRAWING AND SPECIFICATIONS HEREIN ARE THE PROPERTY OF RARITAN, INC. AND SHALL NOT BE COPIED, REPRODUCED OR USED, IN WHOLE OR IN PART, AS THE BASIS FOR THE MANUFACTURE OR SALE OF ITEMS WITHOUT WRITTEN PERMISSION FROM RARITAN, INC. THIS DRAWING IS BASED UPON LATEST AVAILABLE INFORMATION AND IS SUBJECT TO CHANGE WITHOUT NOTICE.

TITLE:  
iPDU 0U, Metered only, Three phase Delta  
40Ax2 / 208~240V  
Input : (2) CS8365  
Output : (54) C13, (6) C19

Drawing Maker:	Michael Lin	JUL/10/2017
Design Engineer:	Michael Lin	JUL/10/2017
Approver:	Alex Lee	JUL/10/2017

DWG NO.  
**TPX3-4197X2**

REV.  
**2B**