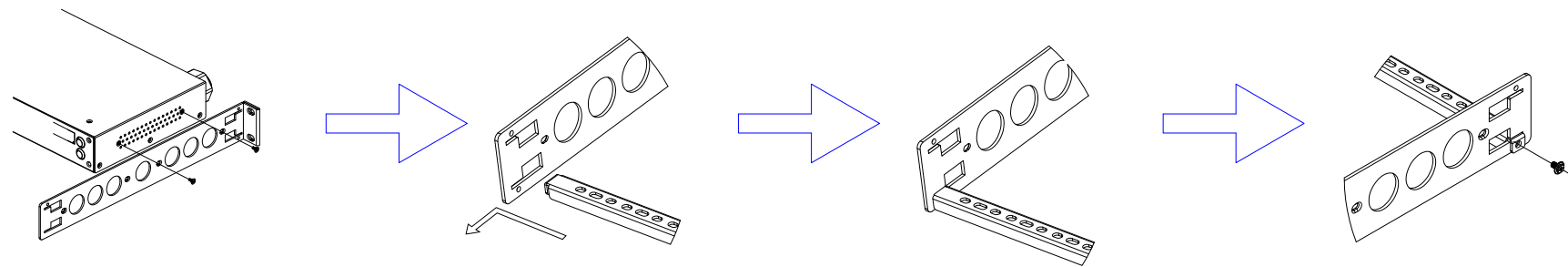
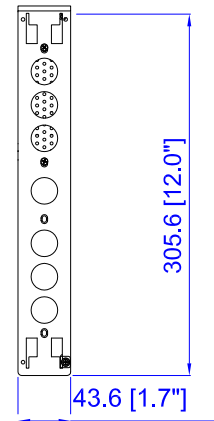


NEMA L6-30P

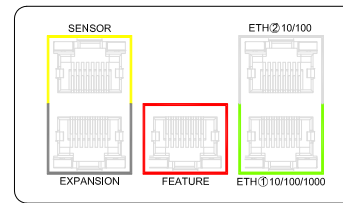
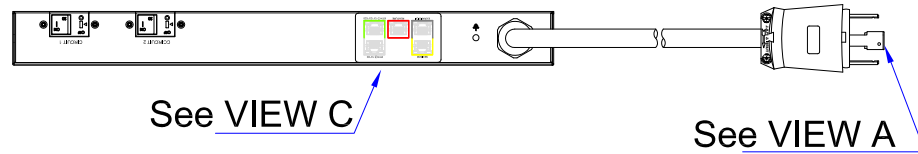
VIEW A



VIEW B



Rear

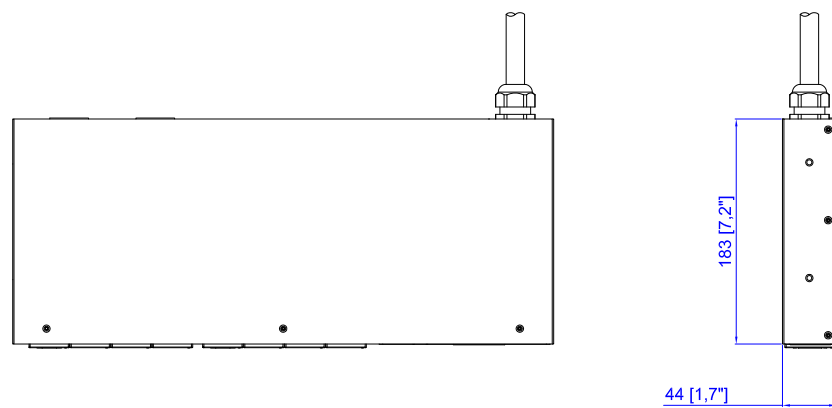


VIEW C

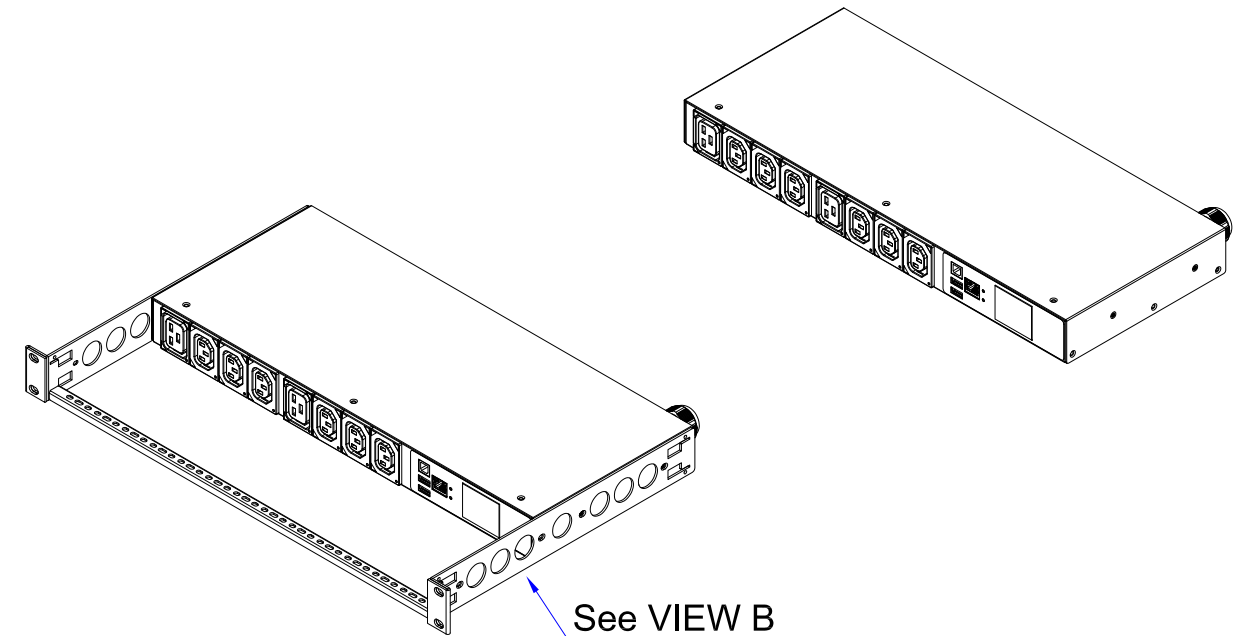
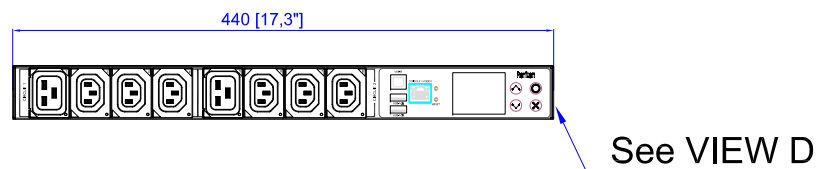


VIEW D

TOP



Front



1. INSTALLATION SHALL COMPLY WITH ALL APPLICABLE NATIONAL, STATE AND LOCAL CODES.  
 2. PLEASE REFER TO PRODUCT DOCUMENTATION FOR FURTHER INFORMATION.  
 3. UNLESS OTHERWISE SPECIFIED, ALL DIMENSIONS ARE IN MILLIMETERS (INCHES).  
 4. MOUNTING BUTTON IS AN ALTERNATIVE MOUNTING METHOD TO THE TOOLLESS MOUNT FOR 3RD PARTY ENCLOSURE.  
 5. BRACKET KITS TO MOUNT TO SPECIFIC 3RD PARTY ENCLOSURES ARE AVAILABLE AS OPTIONS.  
 6. LENGTH OF THE CORD IS 3000MM(+70MM)  
 7. DIMENSION TOLERANCE: LENGTH +/-3MM, WIDTH +/-1MM, DEPTH +/-0.5MM

<p><b>Raritan</b> A brand of  <b>legrand</b></p>	PROJECTION THIRD ANGLE	DO NOT SCALE DRAWING	TITLE:
	SHEET 1 OF 1		iPDU One U Single Phase, 24A/200-240V Plug Type: NEMA L6-30P Outlet Type: (6) C13 & (2) C19
Drawing Maker: Eva Lin	Aug. 12, 2016	DWG NO. <b>MPX3-5201R &amp; MPX3-4201R</b>	
Design Engineer: Siang_H	Aug. 12, 2016		
Approver: Tom_H	Aug. 12, 2016		
THIS DRAWING AND SPECIFICATIONS HEREIN ARE THE PROPERTY OF RARITAN, INC. AND SHALL NOT BE COPIED, REPRODUCED OR USED, IN WHOLE OR IN PART, AS THE BASIS FOR THE MANUFACTURE OR SALE OF ITEMS WITHOUT WRITTEN PERMISSION FROM RARITAN, INC. THIS DRAWING IS BASED UPON LATEST AVAILABLE INFORMATION AND IS SUBJECT TO CHANGE WITHOUT NOTICE.		REV. <b>0A</b>	