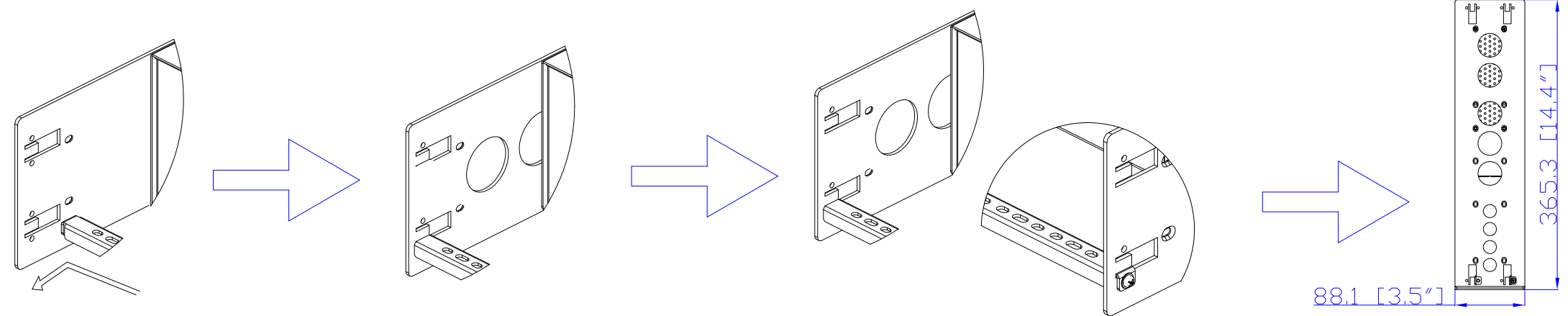


NEMA L5-20P

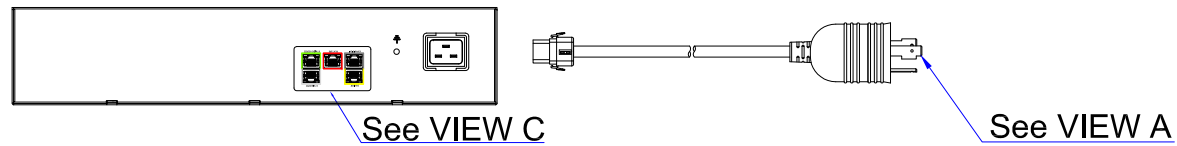
VIEW A



VIEW B

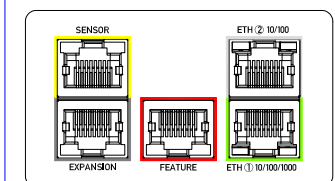
88.1 [3.5"]
365.3 [14.4"]

Rear

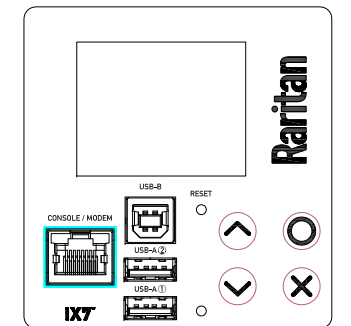


See VIEW C

See VIEW A

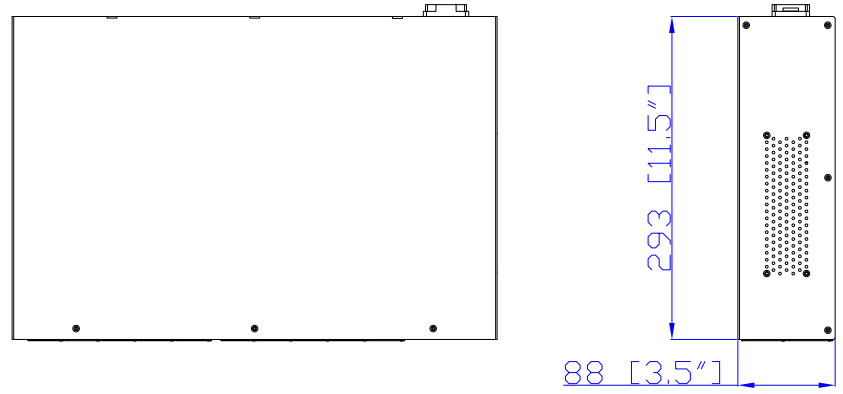


VIEW C

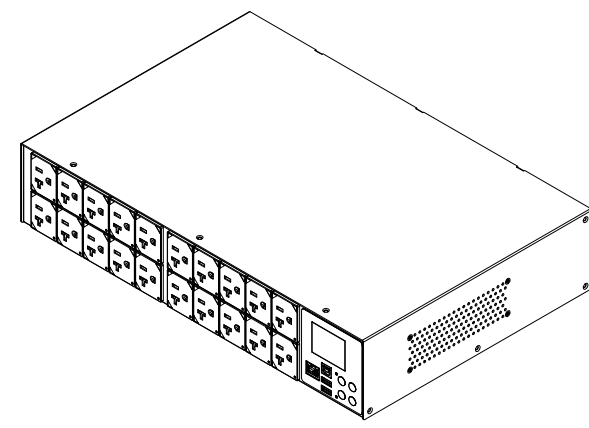


VIEW D

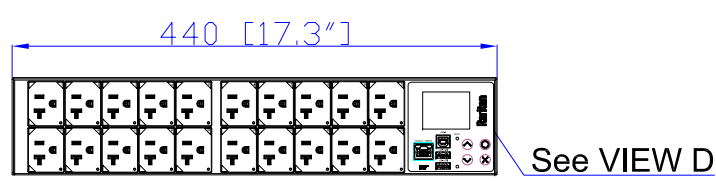
TOP



293 [11.5"]
88 [3.5"]

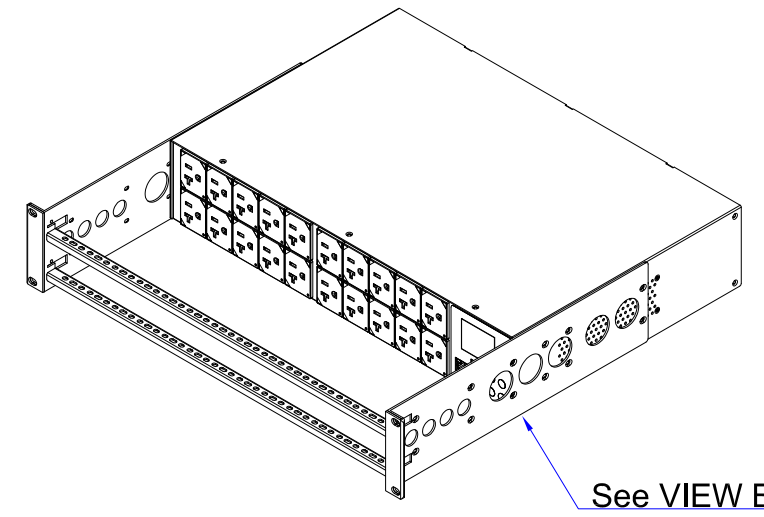


Front



440 [17.3"]

See VIEW D



See VIEW B

NOTES:

1. INSTALLATION SHALL COMPLY WITH ALL APPLICABLE NATIONAL, STATE AND LOCAL CODES.
2. PLEASE REFER TO PRODUCT DOCUMENTATION FOR FURTHER INFORMATION.
3. UNLESS OTHERWISE SPECIFIED, ALL DIMENSIONS ARE IN MILLIMETERS [INCHES].
4. MOUNTING BUTTON IS AN ALTERNATIVE MOUNTING METHOD TO THE TOOLLESS MOUNT FOR 3RD PARTY ENCLOSURE. BUTTON IS PROVIDED WITH THE UNIT. DETAILED INSTALLATION INSTRUCTIONS CAN BE FOUND IN THE PROVIDED MANUAL.
5. BRACKET KITS TO MOUNT TO SPECIFIC 3RD PARTY ENCLOSURES ARE AVAILABLE AS OPTIONS.
6. LENGTH OF THE CORD IS 3000MM +/- 70MM.
7. DIMENSION TOLERANCE: LENGTH +/- 3MM, WIDTH +/- 1MM, DEPTH +/- 0.5MM.

Raritan
A brand of **Legrand**



PROJECTION
THIRD ANGLE

DO NOT SCALE DRAWING
SHEET 1 OF 1

TITLE: iPDU Two U
Single phase, 16A/100-120V
Inlet Type: IEC60320 C20
Plug Type: NEMA L5-20P
Outlet Type: 5-20R (20)

Drawing Maker:	Eva_Lin	Mar. 05, 2018
Design Engineer:	Kenny_C	Mar. 05, 2018
Approver:	Tom_H	Mar. 05, 2018

THIS DRAWING AND SPECIFICATIONS HEREIN ARE THE PROPERTY OF RARITAN, Inc. AND SHALL NOT BE COPIED, REPRODUCED OR USED, IN WHOLE OR IN PART, AS THE BASIS FOR THE MANUFACTURE OR SALE OF ITEMS WITHOUT WRITTEN PERMISSION FROM RARITAN, Inc. THIS DRAWING IS BASED UPON LATEST AVAILABLE INFORMATION AND IS SUBJECT TO CHANGE WITHOUT NOTICE.

DWG NO:	MPX3-5407R M5 & MPX3-4407R M5
MODEL NO:	PX3-5407R & PX3-4407R PX3-5407R-M5 & PX3-4407R-M5
REV.	2B