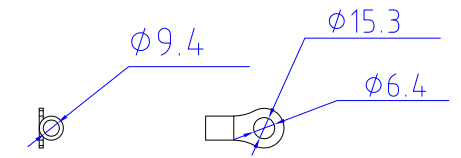
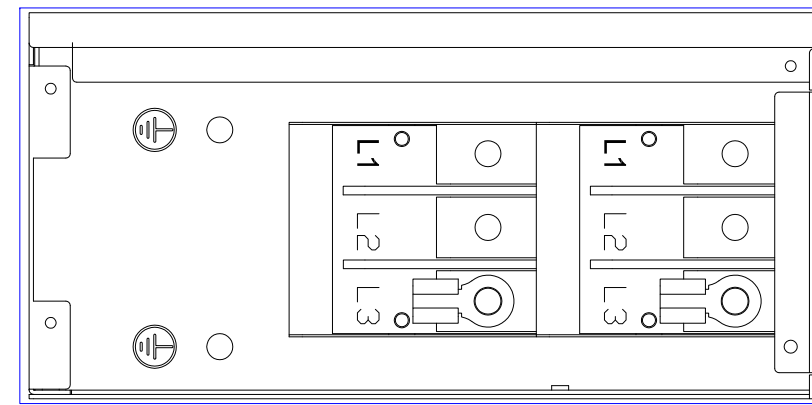


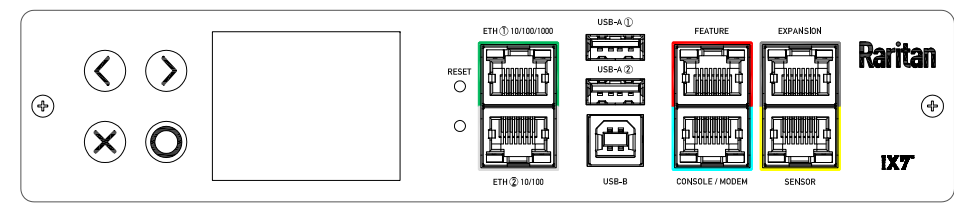
VIEW A-1

VIEW A-2

VIEW A-3

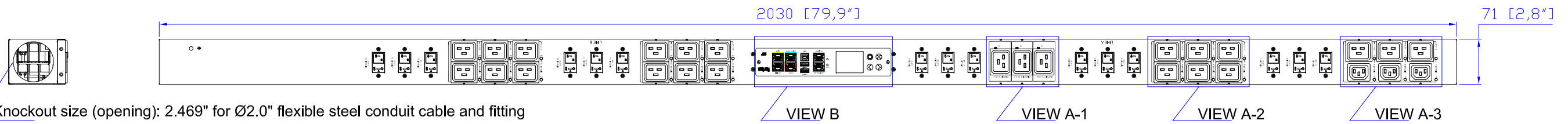


1. KST RNBS 38-6 or equivalent terminals for 2 AWG Wire
2. Inside diameter 6.4 mm & Outside diameter 13.5 mm terminal for M6 screw
3. M6 screw torque:30Kgf.cm
4. Temperature rating for the terminal block:105 °C

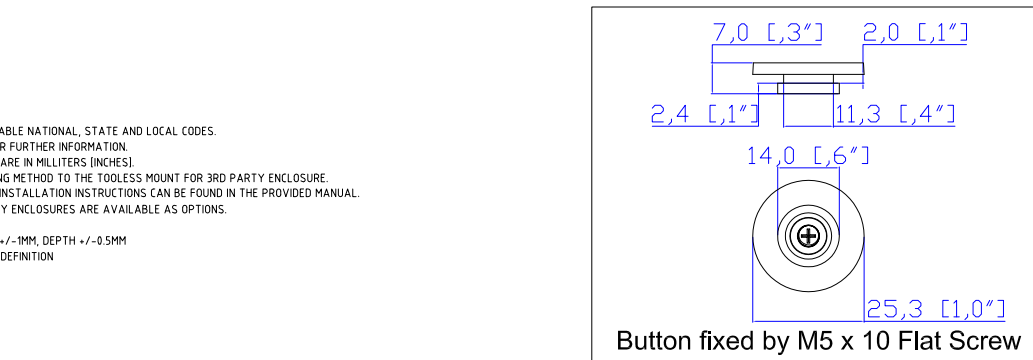
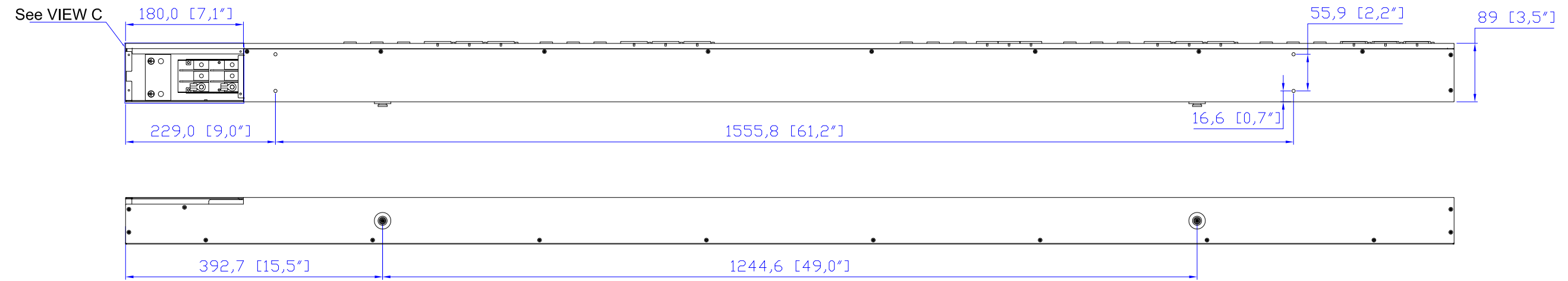


VIEW B

VIEW C



Knockout size (opening): 2.469" for Ø2.0" flexible steel conduit cable and fitting



- NOTES:
1. INSTALLATION SHALL COMPLY WITH ALL APPLICABLE NATIONAL, STATE AND LOCAL CODES.
 2. PLEASE REFER TO PRODUCT DOCUMENTATION FOR FURTHER INFORMATION.
 3. UNLESS OTHERWISE SPECIFIED, ALL DIMENSIONS ARE IN MILLIMETERS (INCHES).
 4. MOUNTING BUTTON IS AN ALTERNATIVE MOUNTING METHOD TO THE TOOLLESS MOUNT FOR 3RD PARTY ENCLOSURE. BUTTON IS PROVIDED WITH THE UNIT. DETAILED INSTALLATION INSTRUCTIONS CAN BE FOUND IN THE PROVIDED MANUAL.
 5. BRACKET KITS TO MOUNT TO SPECIFIC 3RD PARTY ENCLOSURES ARE AVAILABLE AS OPTIONS.
 6. LENGTH OF THE CORD IS 3000MM +/- 70MM
 7. DIMENSION TOLERANCE: LENGTH +/- 3MM, WIDTH +/- 1MM, DEPTH +/- 0.5MM
 8. REFER TO THE TABLE FOR DETAIL CORD LENGTH DEFINITION

<p>Raritan A brand of legrand</p>	PROJECTION THIRD ANGLE	DO NOT SCALE DRAWING SHEET 1 OF 1	TITLE: iPDU Zero U Three Phase, 80A,69A/208-240V Plug Type: 80A Terminal 3P, 69A Terminal 3P Outlet Type: C13 (3), C19 (24)
	Drawing Maker: Eva_Lin June 08, 2017 Design Engineer: Kenny_C June 08, 2017 Approver: Tom_H June 08, 2017	THIS DRAWING AND SPECIFICATIONS HEREIN ARE THE PROPERTY OF RARITAN, Inc. AND SHALL NOT BE COPIED, REPRODUCED OR USED, IN WHOLE OR IN PART, AS THE BASIS FOR THE MANUFACTURE OR SALE OF ITEMS WITHOUT WRITTEN PERMISSION FROM RARITAN, Inc. THIS DRAWING IS BASED UPON LATEST AVAILABLE INFORMATION AND IS SUBJECT TO CHANGE WITHOUT NOTICE.	DWG NO. MPX3-4418X2YU-V2 M5 MODEL NO. PX3-4418X2YU-V2 & PX3-4418X2YU-V2M5