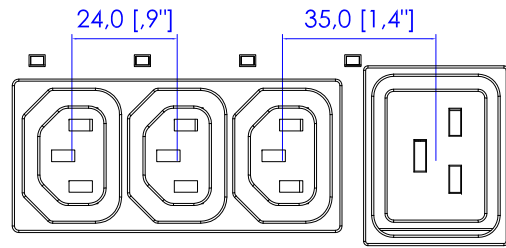


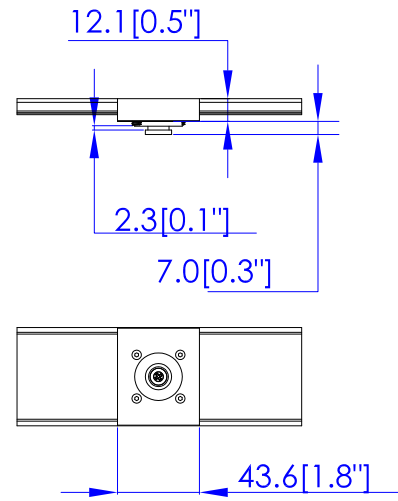
IEC60309 32A 3PY

VIEW A

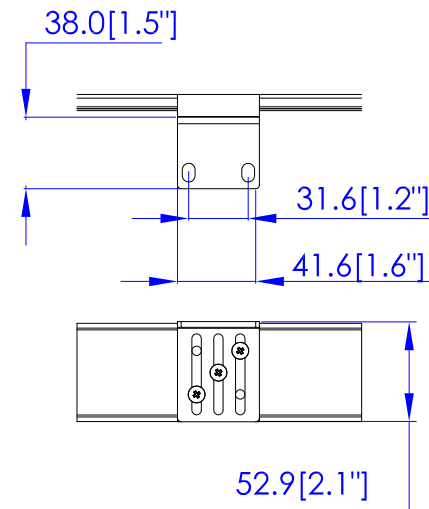


VIEW B

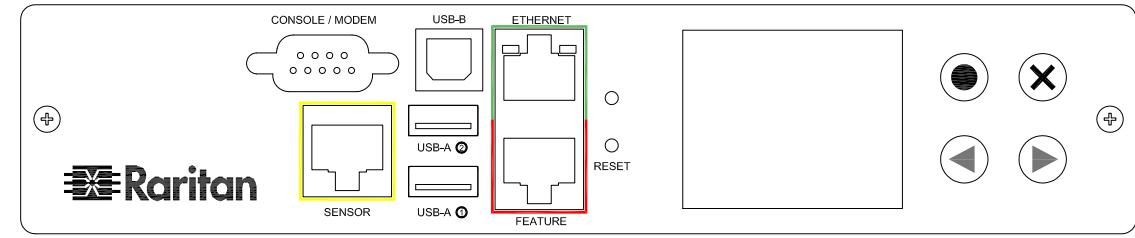
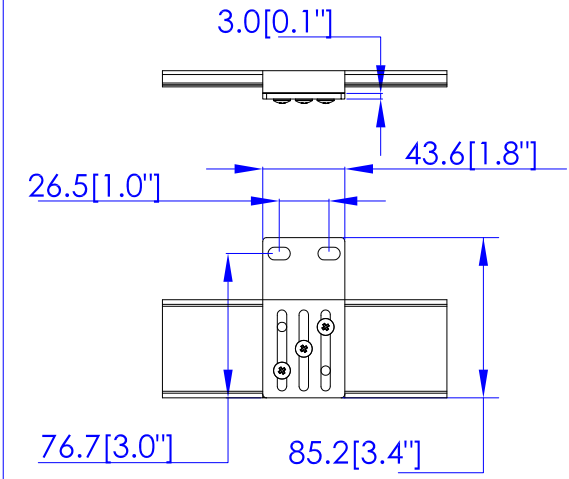
Option 1.



Option 2.

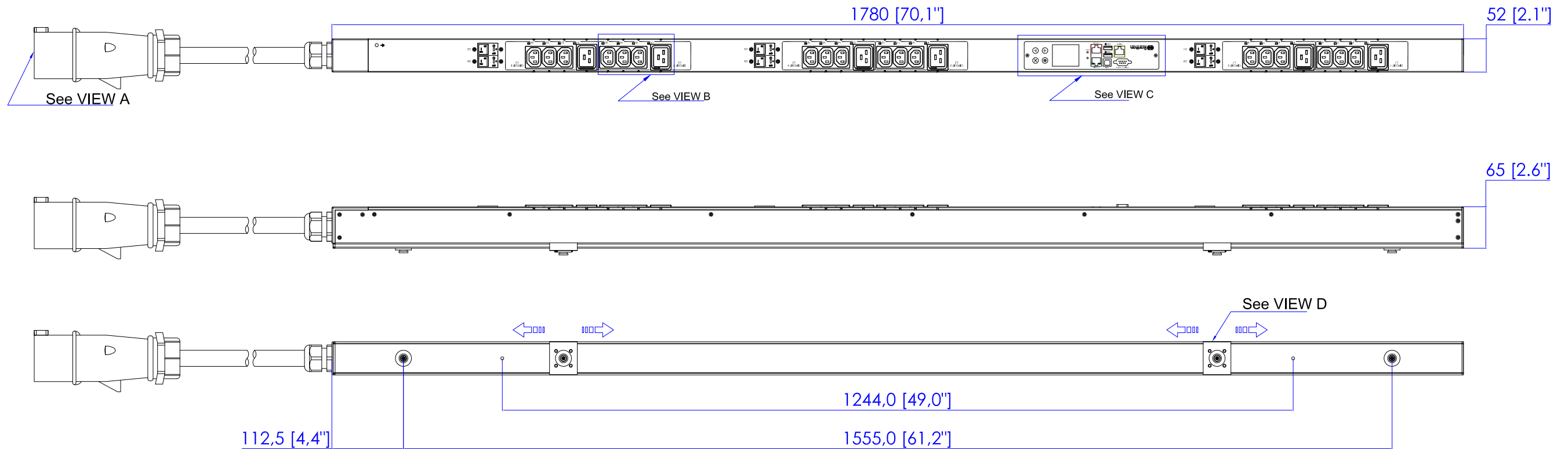


Option 3.



VIEW C

VIEW D



NOTES:
1. ALL DIMENSIONS ARE MILLIMETERS [INCHES].



DO NOT SCALE DRAWING
SHEET 1 OF 1

THIS DRAWING AND SPECIFICATIONS HEREIN ARE THE PROPERTY OF RARITAN, Inc. AND SHALL NOT BE COPIED, REPRODUCED OR USED, IN WHOLE OR IN PART, AS THE BASIS FOR THE MANUFACTURE OR SALE OF ITEMS WITHOUT WRITTEN PERMISSION FROM RARITAN, Inc. THIS DRAWING IS BASED UPON LATEST AVAILABLE INFORMATION AND IS SUBJECT TO CHANGE WITHOUT NOTICE.

TITLE:
iPDU Zero U
Three Phase, 32A/380V-415V
Plug Type: IEC60309 32A 3PY
Outlet Type: (18) IEC320 C13, (6) IEC320 C19

Drawing Maker: EVA LIN Dec. 18, 2015
Design Engineer: Kenny_C Dec. 18, 2015
Approver: Tom_H Dec. 18, 2015

DWG NO.
MPX3-5528V & MPX3-4528V
MPX3-5528V-M5 & MPX3-4528V-M5
REV. 0B