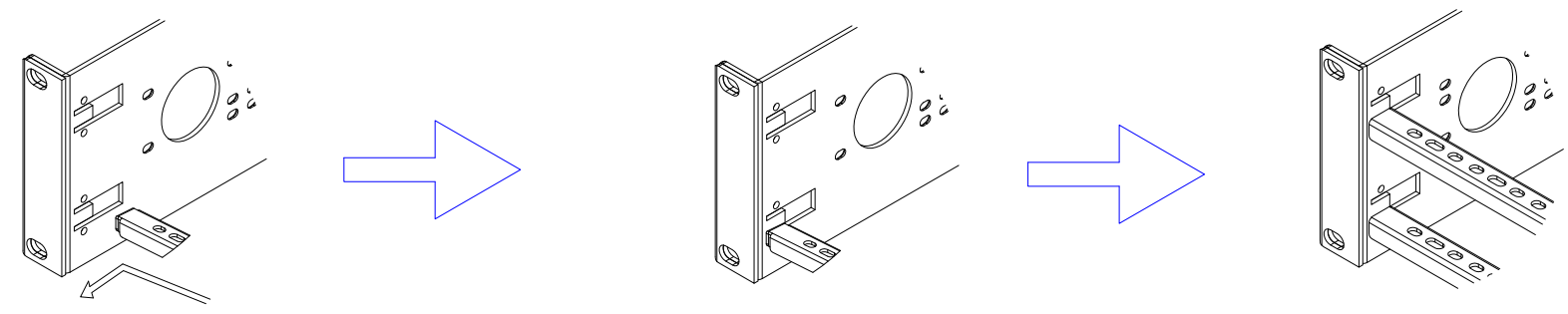
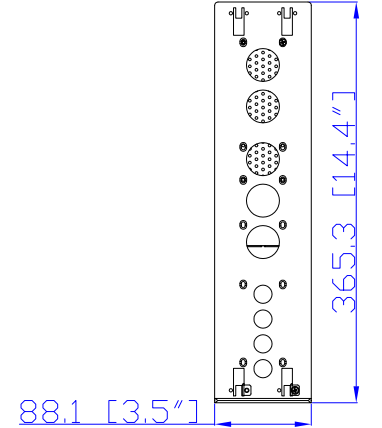


IEC60309 60A 3P

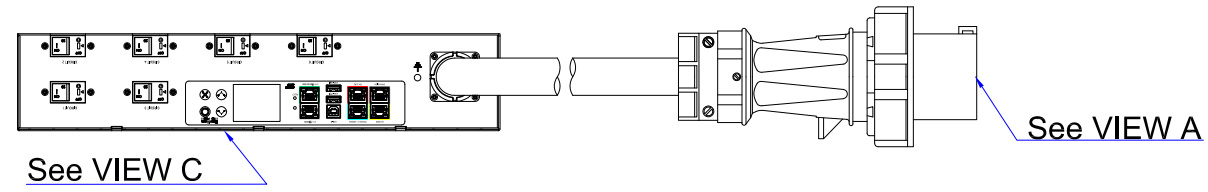
VIEW A



VIEW B

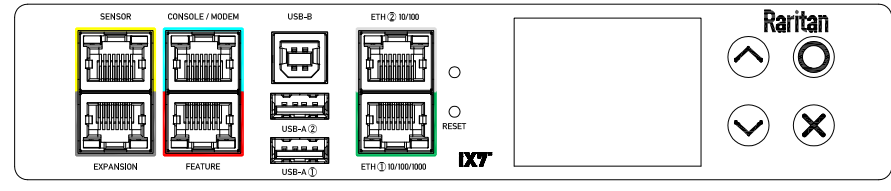


Rear



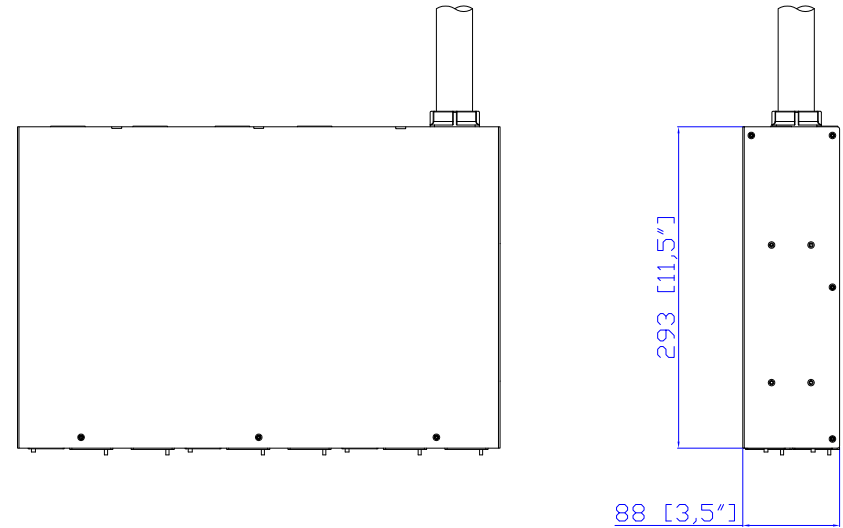
See VIEW C

See VIEW A



VIEW C

TOP

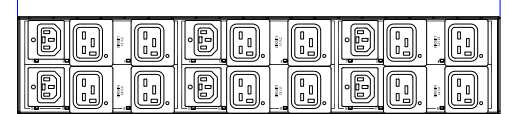


440 [17,3"]

293 [11,5"]

88 [3,5"]

Front



See VIEW B

- NOTES:
1. INSTALLATION SHALL COMPLY WITH ALL APPLICABLE NATIONAL, STATE AND LOCAL CODES.
  2. PLEASE REFER TO PRODUCT DOCUMENTATION FOR FURTHER INFORMATION.
  3. UNLESS OTHERWISE SPECIFIED, ALL DIMENSIONS ARE IN MILLIMETERS (INCHES).
  4. MOUNTING BUTTON IS AN ALTERNATIVE MOUNTING METHOD TO THE TOOLLESS MOUNT FOR 3RD PARTY ENCLOSURE.
  5. BUTTON IS PROVIDED WITH THE UNIT. DETAILED INSTALLATION INSTRUCTIONS CAN BE FOUND IN THE PROVIDED MANUAL.
  6. BRACKET KITS TO MOUNT TO SPECIFIC 3RD PARTY ENCLOSURES ARE AVAILABLE AS OPTIONS.
  7. LENGTH OF THE CORD IS 3000MM +/- 70MM
  8. DIMENSION TOLERANCE: LENGTH +/- 3MM, WIDTH +/- 1MM, DEPTH +/- 0.5MM

|   |  |   |   |                |
|---|--|---|---|----------------|
| <p>A brand of </p>                        |  | PROJECTION THIRD ANGLE<br>DO NOT SCALE DRAWING<br><b>SHEET 1 OF 1</b> | TITLE: iPDU Two U<br>Three Phase, 48A/208-240V<br>Plug Type: IEC60309 60A 3P<br>OutLet Type: C13 (6), C19 (12)                                |                |
|   |  |   | DWG NO: MPX3-5541R-E2 M5 & MPX3-4541R-E2 M5<br>MODEL NO: <b>PX3-5541R-E2 &amp; PX3-4541R-E2</b><br><b>PX3-5541R-E2M5 &amp; PX3-4541R-E2M5</b> |                |
| Drawing Maker: EVA LIN<br>Approver: Tom_H |  | MAY 07, 2018<br>MAY 07, 2018  |   | REV. <b>2B</b> |

THIS DRAWING AND SPECIFICATIONS HEREIN ARE THE PROPERTY OF RARITAN, Inc. AND SHALL NOT BE COPIED, REPRODUCED OR USED, IN WHOLE OR IN PART, AS THE BASIS FOR THE MANUFACTURE OR SALE OF ITEMS WITHOUT WRITTEN PERMISSION FROM RARITAN, Inc. THIS DRAWING IS BASED UPON LATEST AVAILABLE INFORMATION AND IS SUBJECT TO CHANGE WITHOUT NOTICE.