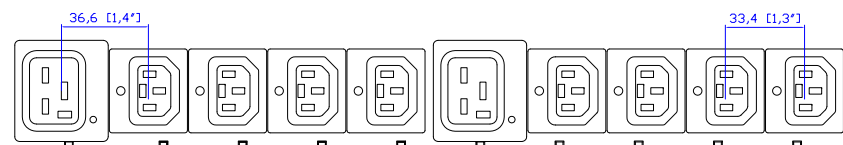
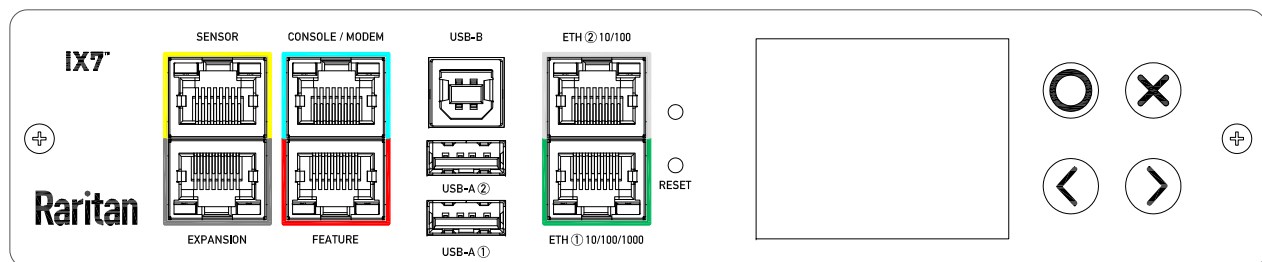


CS8365C

VIEW A

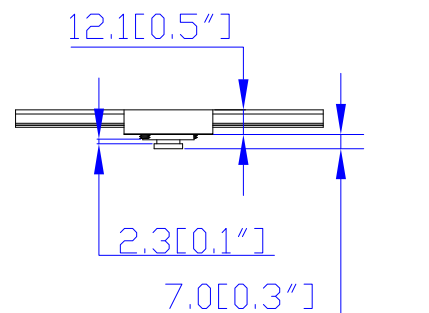


VIEW B

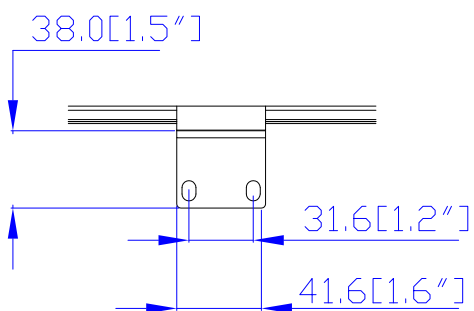


VIEW C

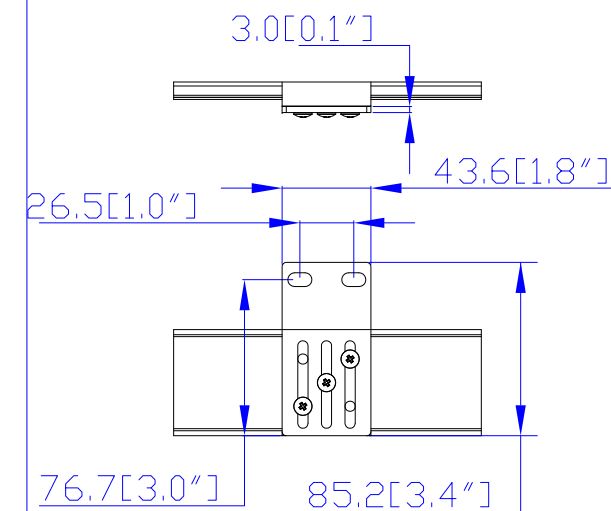
Option 1.



Option 2.



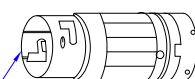
Option 3.



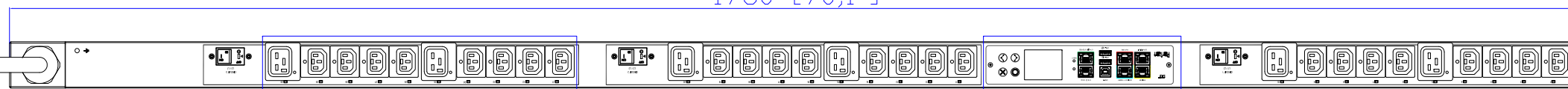
VIEW D

1780 [70,1\"]

52 [2,1\"]

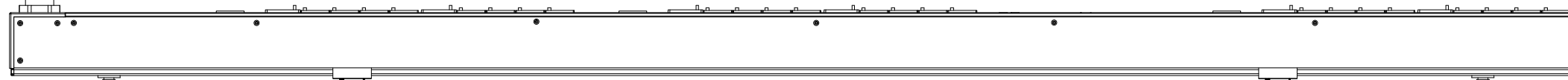
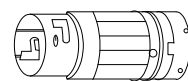


See VIEW A



See VIEW B

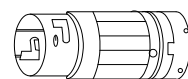
See VIEW C



71 [2,8\"]

268,0 [10,6\"]

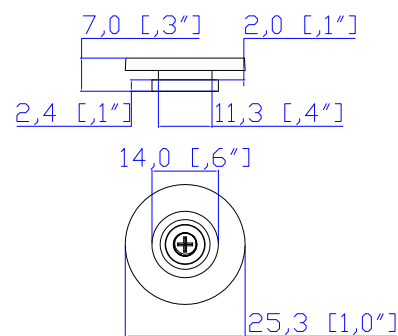
See VIEW D



112,5 [4,4\"]

1244,0 [49,0\"]

1555,0 [61,2\"]



Button fixed by M5 x 10 Flat Screw

NOTES:

1. INSTALLATION SHALL COMPLY WITH ALL APPLICABLE NATIONAL, STATE AND LOCAL CODES.
2. PLEASE REFER TO PRODUCT DOCUMENTATION FOR FURTHER INFORMATION.
3. UNLESS OTHERWISE SPECIFIED, ALL DIMENSIONS ARE IN MILLIMETERS (INCHES).
4. MOUNTING BUTTON IS AN ALTERNATIVE MOUNTING METHOD TO THE TOOLLESS MOUNT FOR 3RD PARTY ENCLOSURE. BUTTON IS PROVIDED WITH THE UNIT. DETAILED INSTALLATION INSTRUCTIONS CAN BE FOUND IN THE PROVIDED MANUAL.
5. BRACKET KITS TO MOUNT TO SPECIFIC 3RD PARTY ENCLOSURES ARE AVAILABLE AS OPTIONS.
6. LENGTH OF THE CORD IS 3000MM +/- 70MM
7. DIMENSION TOLERANCE: LENGTH +/- 3MM, WIDTH +/- 1MM, DEPTH +/- 0.5MM

Raritan
A brand of **Legrand**



PROJECTION
THIRD ANGLE

DO NOT SCALE DRAWING

SHEET 1 OF 1

THIS DRAWING AND SPECIFICATIONS HEREIN ARE THE PROPERTY OF RARITAN, Inc. AND SHALL NOT BE COPIED, REPRODUCED OR USED, IN WHOLE OR IN PART, AS THE BASIS FOR THE MANUFACTURE OR SALE OF ITEMS WITHOUT WRITTEN PERMISSION FROM RARITAN, Inc. THIS DRAWING IS BASED UPON LATEST AVAILABLE INFORMATION AND IS SUBJECT TO CHANGE WITHOUT NOTICE.

TITLE: iPDU Zero U
Three Phase , 35A/208-240V
Plug Type: CS8365C
Outlet Type: Locking C13 (24), Locking C19 (6)

DWG NO. MPX3-4666-E2 & MPX3-5666-E2

MODEL NO. PX3-4666-E2 & PX3-5666-E2
PX3-4666-E2M5 & PX3-5666-E2M5

REV. 2A

Drawing Maker: Tom Hsueh Mar. 26. 2018
Design Engineer: Tom Hsueh Mar. 26. 2018
Approver: Tom Hsueh Mar. 26. 2018