

Technical Specifications / Engineering Submittals

Raritan Model Number: PX3-4725

rev20250625

LINE DRAWING



FEATURES

| | |
|-------------------------------------|--|
| Energy Metering | Voltage (V), Current (A), Active Power (kW), Real Power (kVA), Energy (kWh), Power Factor |
| Metering Accuracy | ISO/IEC 62053-21 1% (see page 3 for details) |
| Metering per Input Line | Yes |
| Metering per Branch Circuit Breaker | Yes |
| Metering per Output Receptacle | Yes |
| Remote Outlet Switching | No |
| Environmental Sensor Ready | Yes |
| Replaceable Controller | Yes |
| Compatible Sensors | Temperature, Humidity, Air Flow, Differential Pressure, Water Leak, and Contact Closure |
| Networking | Gigabit (10/100/1000 BaseT) Ethernet port; secondary, redundant (10/100/1000 BaseT) Ethernet port. Optional WiFi (802.11a/b/g/n) |
| Remote Management | HTTP(s); SSH; Telnet; RS-232 (Serial); Power IQ; SNMP version v2/v3; SMTP; JSON-RPC; Modbus over TCP |
| Cascading | Yes, Max 32 PDUs can be daisy chained using a USB connection and 32 PDUs using Ethernet connection |
| Onboard Display | Color, matrix LCD display : Voltage, current, or active power (per line, per breaker, or per receptacle / outlet); Alarms; Configuration information (name, ratings, IP / Networking information); Auto-flip orientation |
| Embedded Processor | ARM Cortex A5 536MHZ (Atmel A5D35A), 16MB SPI Flash, 64MB DDR2 RAM |

Technical Specifications / Engineering Submittals

Raritan Model Number: PX3-4725

rev20250625

INPUT

| | |
|-----------------------|--------------------------------|
| Input Plug | NEMA L21-30P (3P4W), IP44 |
| Cord Length | 3 meters (9.84 feet) standard |
| Cord Entry | Bottom-front feed |
| Cable Type | S00W 5C#10 |
| Number of Power Cords | 1 |
| Maximum Input Current | 30A |
| Nominal Input Voltage | 208V 3 phase |
| Rated Input Voltage | 190 - 208V 3 phase |
| Input Frequency | 50/60Hz |
| Power Capacity | 7.9kVA at 190V, 8.6kVA at 208V |

OUTPUT

| | |
|----------------------------------|--|
| Nominal Output Voltage | 208V |
| Rated Output Voltage | 190 - 208V |
| Receptacles (Output Connections) | (24) IEC320 C13, 12A (12) IEC320 C19, 16A |
| Securelock Support | Yes |
| Cord Retention | Yes |
| Overload Protection | (3) LEGBXA66-20, 5KAIC |

PHYSICAL

| | |
|-----------------------------|--|
| Color | Black powder coat (custom colors available) |
| Unit Dimensions (WxDxH) | 2.1" x 2.6" x 70.1" ; 52mm x 65mm x 1780mm |
| Unit Weight | 6.4 kg |
| Shipping Weight | 8.6 kg |
| Shipping Dimensions (WxDxH) | 9.06" x 4.65" x 75.2" ; 230mm x 118mm x 1910mm |
| Mounting | G2-RACK-FOR-ZU |

Technical Specifications / Engineering Submittals

Raritan Model Number: PX3-4725

rev20250625

ENVIRONMENTAL

| | |
|-----------------------------|----------|
| Operating Temperature | 60°C |
| Operating Relative Humidity | 85% |
| Operating Elevation | 0-6000ft |

CONFORMANCE

| | |
|----------------------|--|
| Regulatory Approvals | UL Listed, Canada ICES-003, Part 15 Class A of the FCC rules, RoHS compliant |
| Warranty | Standard 2 years manufacturer warranty |

ACCURACY

| | Input Measurement | Output Measurement |
|-------------------|---------------------------|---------------------------|
| LCD & GUI Current | ±1% at 0.1 A resolution | ±1% at 0.1 A resolution |
| Voltage | ±1% at 0.1 V resolution | ±1% at 0.1 V resolution |
| Active Power | ±1% at 1 W resolution | ±1% at 1 W resolution |
| Apparent Power | ±1% at 1 VA resolution | ±1% at 1 VA resolution |
| Power Factor | ±1% at 0.1 resolution | ±1% at 0.1 resolution |
| Active Energy | ±1% at 0.1 kWh resolution | ±1% at 0.1 kWh resolution |

Branch Measurement

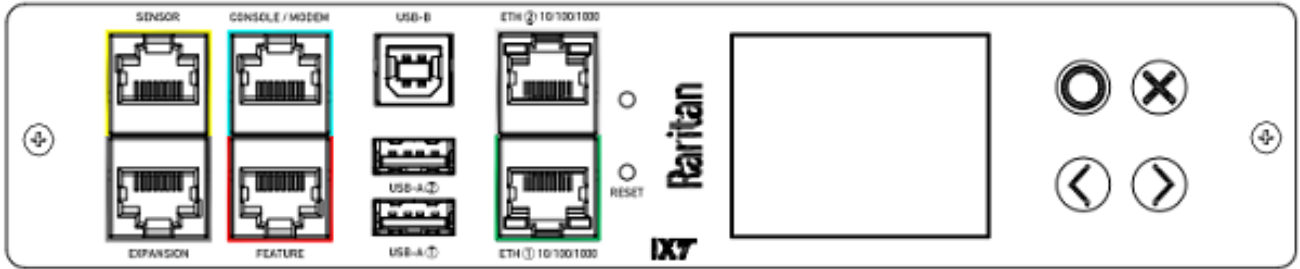
| | |
|---------|-------------------------|
| Current | ±1% at 0.1 A resolution |
|---------|-------------------------|

Technical Specifications / Engineering Submittals

Raritan Model Number: PX3-4725

rev20250625

CONTROL PANEL

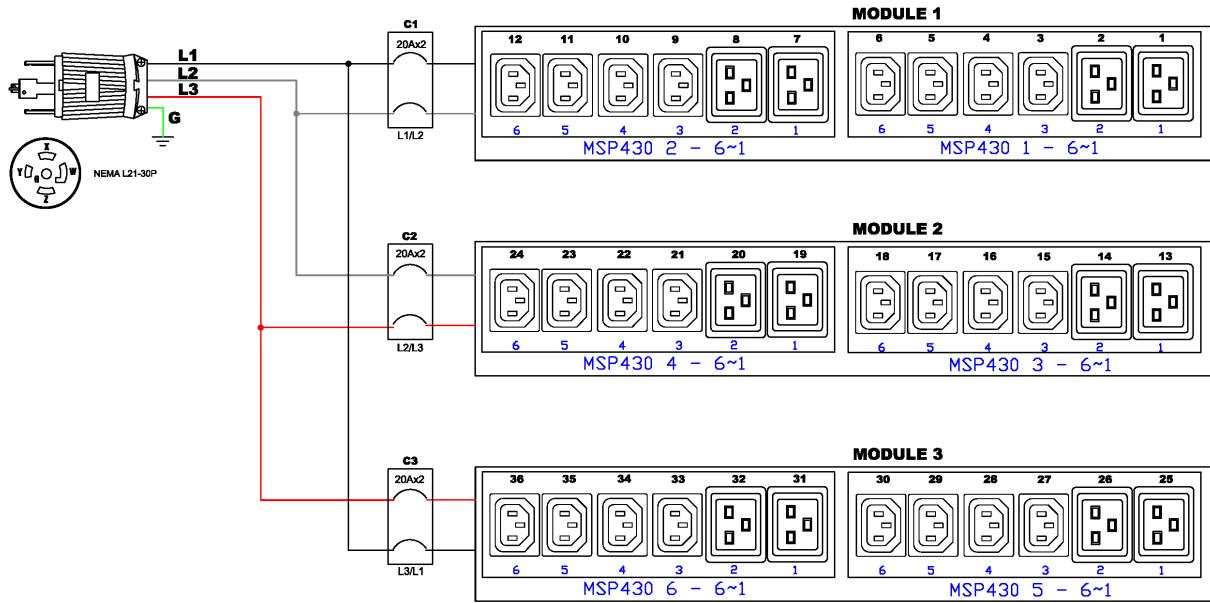


Technical Specifications / Engineering Submittals

Raritan Model Number: PX3-4725

rev20250625

ELECTRICAL (ONE LINE) DIAGRAM

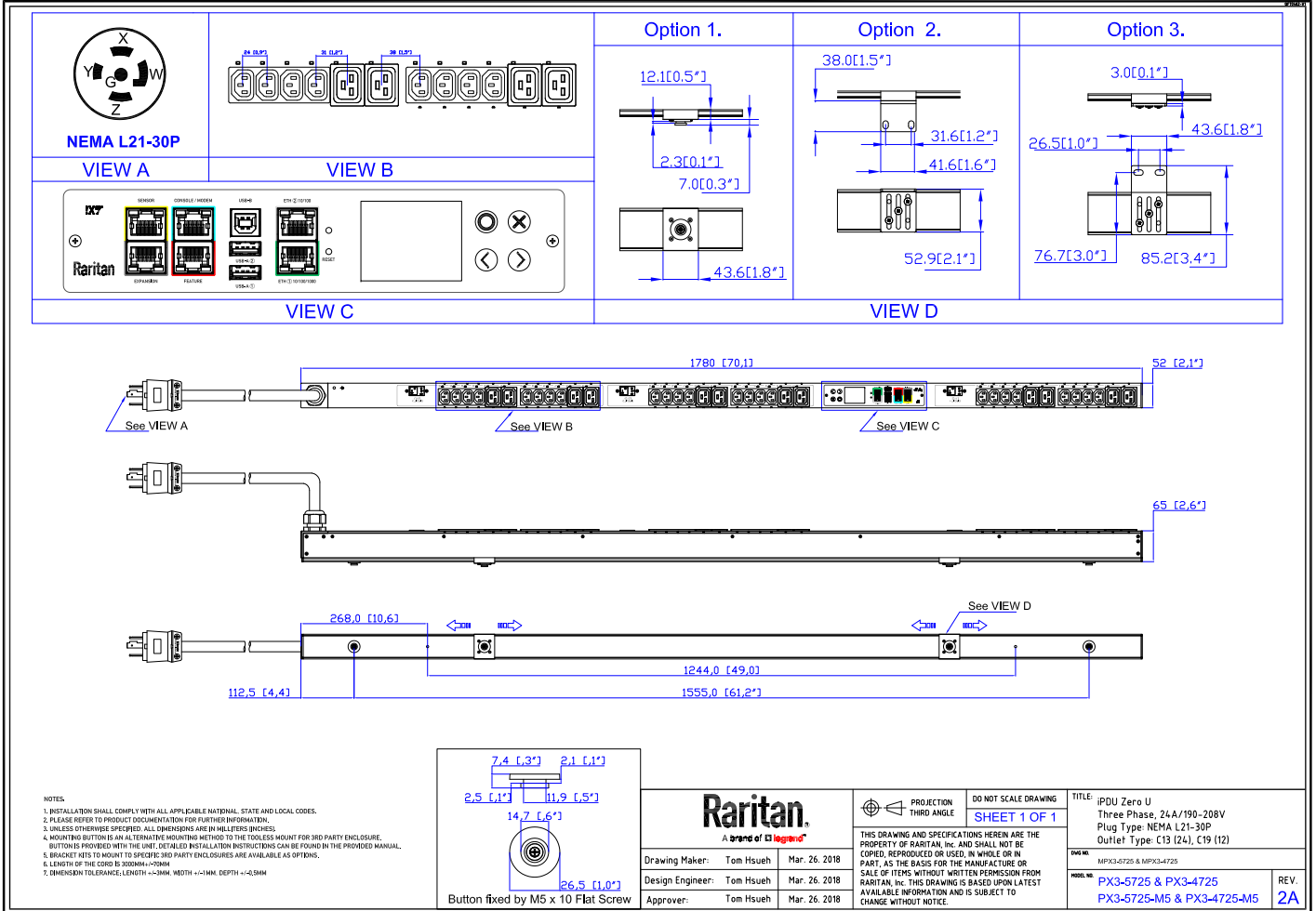


Technical Specifications / Engineering Submittals

Raritan Model Number: PX3-4725

rev20250625

MECHANICAL DIAGRAM

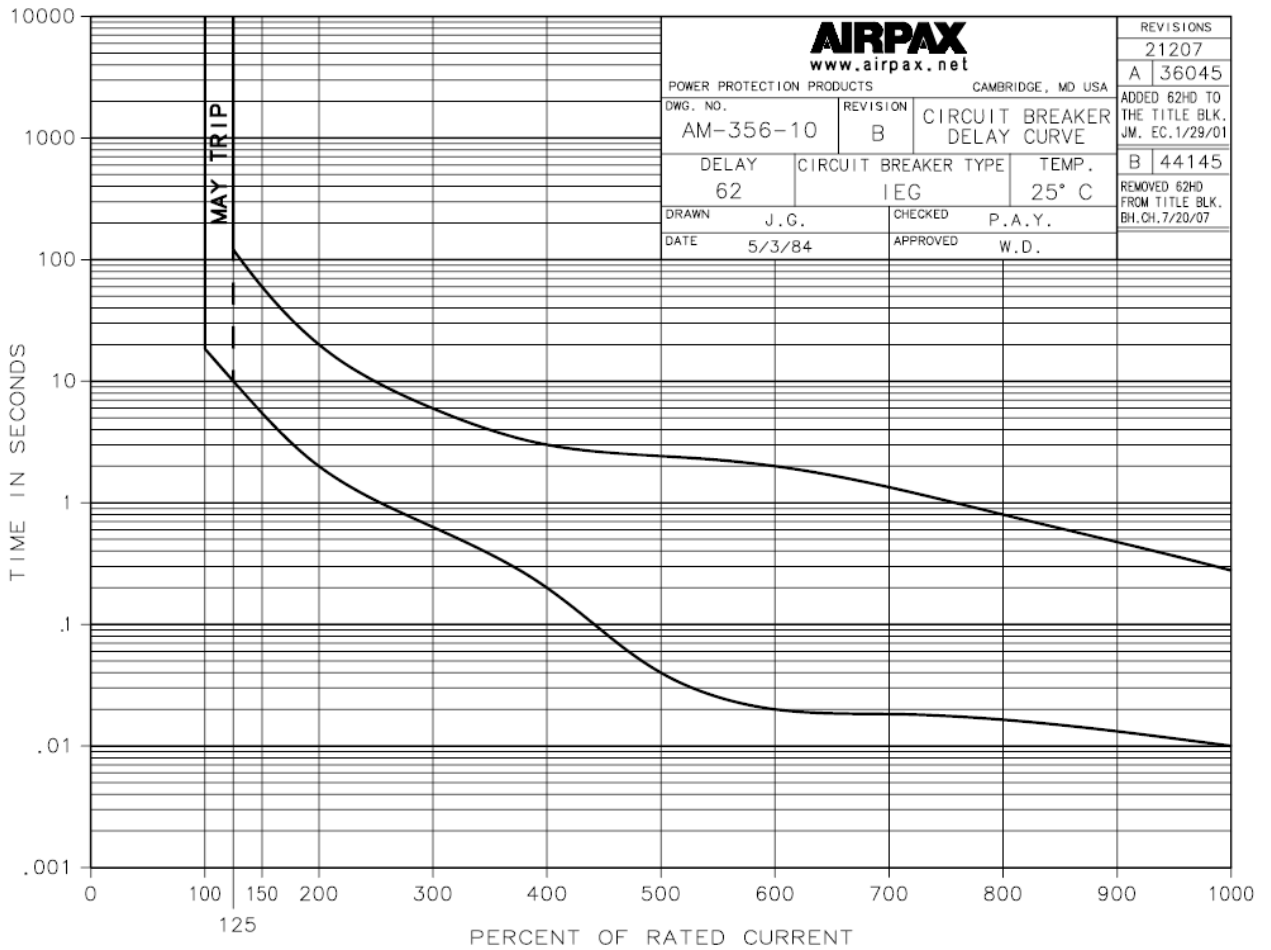


Technical Specifications / Engineering Submittals

Raritan Model Number: PX3-4725

rev20250625

TRIP CURVE



C-1009-1 5/98 32556

This file generated on: Wed, June 25, 2025 - 03:17:21