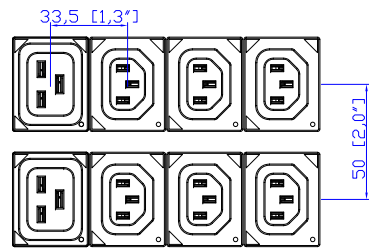
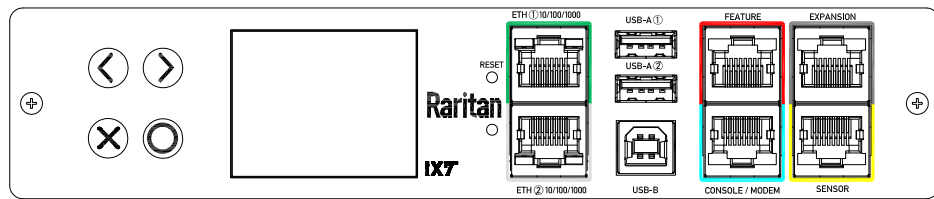


IEC60309 63A 3PY

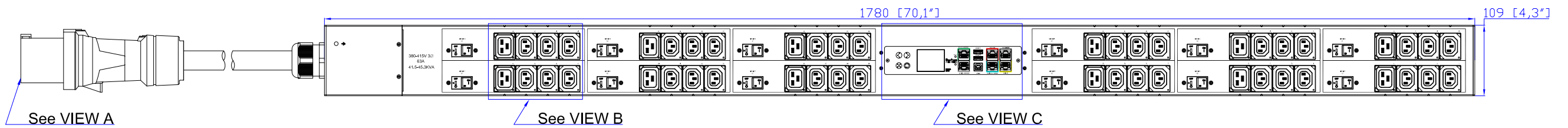
VIEW A



VIEW B



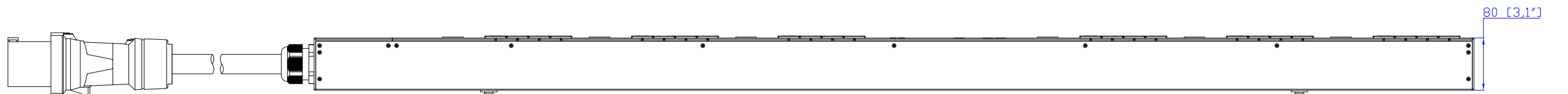
VIEW C



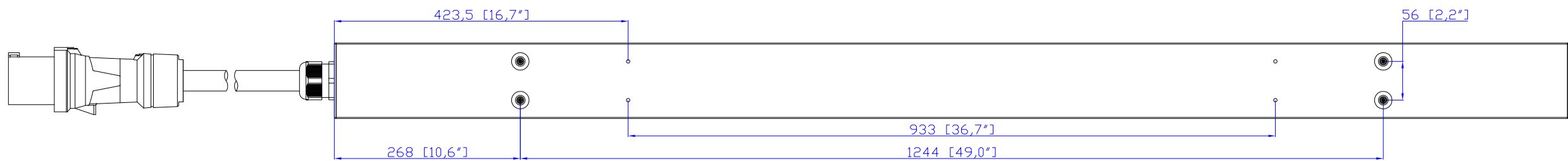
See VIEW A

See VIEW B

See VIEW C



80 [3,1\"]



423,5 [16,7\"]

56 [2,2\"]

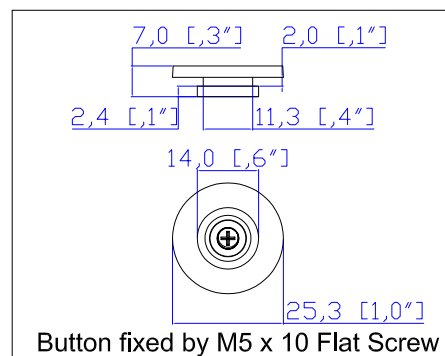
268 [10,6\"]

933 [36,7\"]

1244 [49,0\"]

NOTES:

1. INSTALLATION SHALL COMPLY WITH ALL APPLICABLE NATIONAL, STATE AND LOCAL CODES.
2. PLEASE REFER TO PRODUCT DOCUMENTATION FOR FURTHER INFORMATION.
3. UNLESS OTHERWISE SPECIFIED, ALL DIMENSIONS ARE IN MILLIMETERS (INCHES).
4. MOUNTING BUTTON IS AN ALTERNATIVE MOUNTING METHOD TO THE TOOLLESS MOUNT FOR 3RD PARTY ENCLOSURE. BUTTON IS PROVIDED WITH THE UNIT. DETAILED INSTALLATION INSTRUCTIONS CAN BE FOUND IN THE PROVIDED MANUAL.
5. BRACKET KITS TO MOUNT TO SPECIFIC 3RD PARTY ENCLOSURES ARE AVAILABLE AS OPTIONS.
6. RARITAN STANDARD LENGTH OF THE CORD IS 3000MM +/-70MM
7. DIMENSION TOLERANCE, LENGTH +/-3MM, WIDTH +/-1MM, DEPTH +/-0,5MM



Button fixed by M5 x 10 Flat Screw

Raritan
A brand of **Legrand**



PROJECTION
THIRD ANGLE

DO NOT SCALE DRAWING

SHEET 1 OF 1

THIS DRAWING AND SPECIFICATIONS HEREIN ARE THE PROPERTY OF RARITAN, INC. AND SHALL NOT BE COPIED, REPRODUCED OR USED, IN WHOLE OR IN PART, AS THE BASIS FOR THE MANUFACTURE OR SALE OF ITEMS WITHOUT WRITTEN PERMISSION FROM RARITAN, INC. THIS DRAWING IS BASED UPON LATEST AVAILABLE INFORMATION AND IS SUBJECT TO CHANGE WITHOUT NOTICE.

Drawing Maker:	EVA LIN	Jul 22, 2019
Design Engineer:	Kenny_C	Jul 22, 2019
Approver:	Tom_H	Jul 22, 2019

TITLE: iPDU Zero U
Three Phase, 63A/380-415V
Plug Type : IEC60309 63A 3PY
Outlet Type: C13 (36), C19 (12)

DWG NO. MPX3-4782V-V2 M5 & MPX3-5782V-V2 M5

MODEL NO. PX3-4782V-V2 & PX3-5782V-V2
PX3-4782V-V2M5 & PX3-5782V-V2M5

REV. 2A