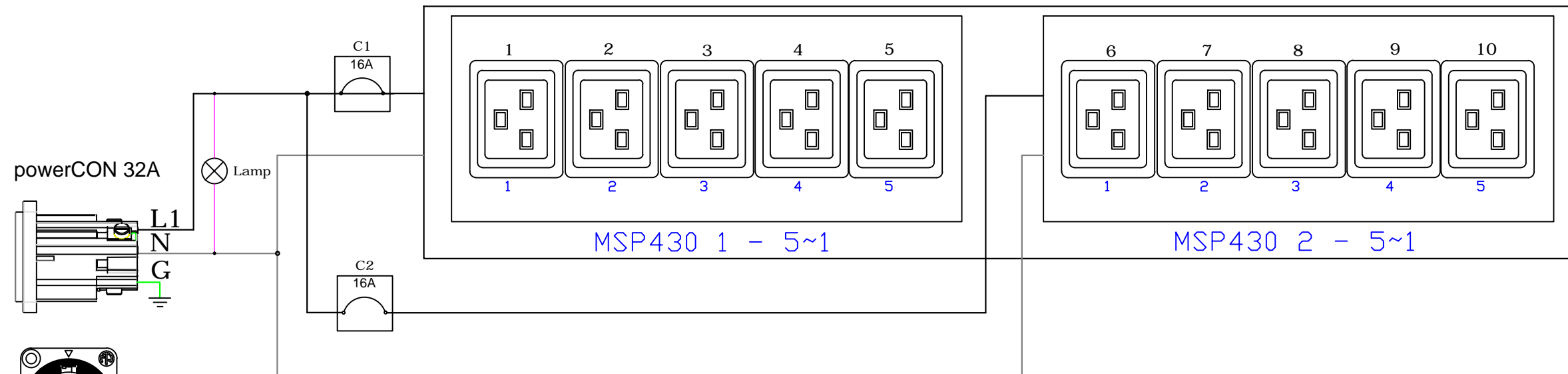


Gigabit Ethernet	10/100 Ethernet	Sensor	Feature
ix7 PDU Controller			
			→ RS485

### MODULE 1



※ There is no TFT-LCD, USB-A, USB-B, Console and Expansion port on the controller.

<p><b>Raritan.</b> A brand of  Logand</p>		PROJECTION THIRD ANGLE	DO NOT SCALE DRAWING	
			SHEET 1 OF 1	
Drawing Maker: Albert Lee    OCT/31/2019 Design Engineer: Michael Lin    OCT/31/2019 Approver: Alex Lee    OCT/31/2019		THIS DRAWING AND SPECIFICATIONS HEREIN ARE THE PROPERTY OF RARITAN, INC. AND SHALL NOT BE COPIED, REPRODUCED OR USED, IN WHOLE OR IN PART, AS THE BASIS FOR THE MANUFACTURE OR SALE OF ITEMS WITHOUT WRITTEN PERMISSION FROM RARITAN, INC. THIS DRAWING IS BASED UPON LATEST AVAILABLE INFORMATION AND IS SUBJECT TO CHANGE WITHOUT NOTICE.		
			TITLE: iPDU 1 U Single Phase, 32A/200V-240V Plug Type: (1) powerCON 32A Outlet Type: (10) C19	
			DWG NO.    REV. <b>TPX3-4869PR-G4N1A0</b> <b>2A</b>	