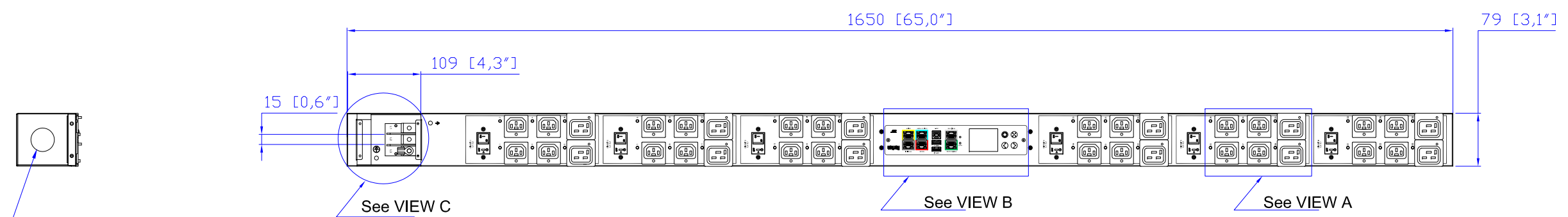


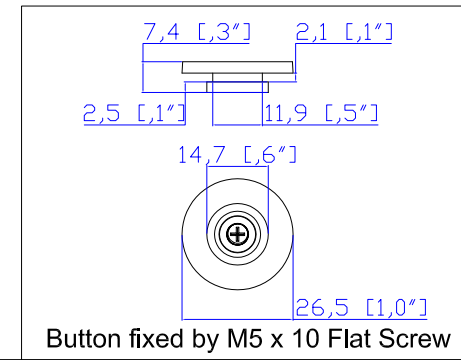
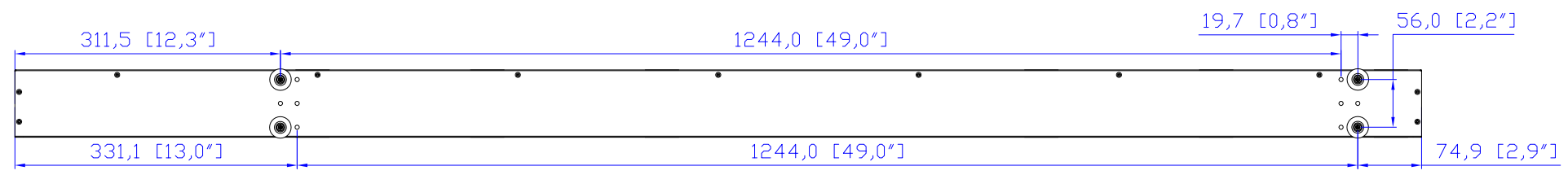
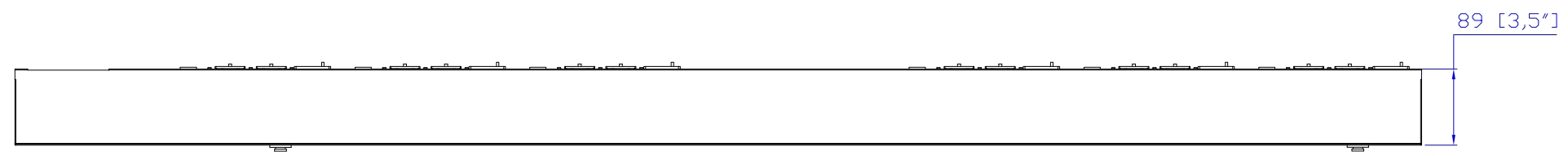
VIEW A

VIEW B

VIEW C



Knockout size: 1.375" for Ø1" flexible steel conduit cable and fitting



Button fixed by M5 x 10 Flat Screw

- NOTES:
1. INSTALLATION SHALL COMPLY WITH ALL APPLICABLE NATIONAL, STATE AND LOCAL CODES.
  2. PLEASE REFER TO PRODUCT DOCUMENTATION FOR FURTHER INFORMATION.
  3. UNLESS OTHERWISE SPECIFIED, ALL DIMENSIONS ARE IN MILLIMETERS [INCHES].
  4. MOUNTING BUTTON IS AN ALTERNATIVE MOUNTING METHOD TO THE TOOLLESS MOUNT FOR 3RD PARTY ENCLOSURE. BUTTON IS PROVIDED WITH THE UNIT. DETAILED INSTALLATION INSTRUCTIONS CAN BE FOUND IN THE PROVIDED MANUAL.
  5. BRACKET KITS TO MOUNT TO SPECIFIC 3RD PARTY ENCLOSURES ARE AVAILABLE AS OPTIONS.
  6. LENGTH OF THE CORD IS 3000MM +/- 70MM
  7. DIMENSION TOLERANCE: LENGTH +/- 3MM, WIDTH +/- 1MM, DEPTH +/- 0.5MM
  8. REFER TO THE TABLE FOR DETAIL CORD LENGTH DEFINITION

<p><b>Raritan</b> A brand of  <b>legrand</b></p>		PROJECTION THIRD ANGLE DO NOT SCALE DRAWING <b>SHEET 1 OF 1</b>	TITLE: iPDU Zero U Three Phase, 48A/208-240V Plug Type: 48A Terminal 3P Outlet Type: Locking C13 (24), Locking C19 (12)	
			DWG NO.: MPX3-4905YU-E2N1P1V2 M5 & MPX3-5905YU-E2N1P1V2 M5 MODEL NO.: PX3-4905YU-E2N1P1V2 & PX3-5905YU-E2N1P1V2 PX3-4905YU-E2N1P1V2M5 & MPX3-5905YU-E2N1P1V2M5	
Drawing Maker: EVA LIN	Aug. 03, 2017	THIS DRAWING AND SPECIFICATIONS HEREIN ARE THE PROPERTY OF RARITAN, Inc. AND SHALL NOT BE COPIED, REPRODUCED OR USED, IN WHOLE OR IN PART, AS THE BASIS FOR THE MANUFACTURE OR SALE OF ITEMS WITHOUT WRITTEN PERMISSION FROM RARITAN, Inc. THIS DRAWING IS BASED UPON LATEST AVAILABLE INFORMATION AND IS SUBJECT TO CHANGE WITHOUT NOTICE.		
Design Engineer: Kenny_C	Aug. 03, 2017			
Approver: Tom_H	Aug. 03, 2017			
		REV. <b>2A</b>		