

## Technical Specifications / Engineering Submittals

Raritan Model Number: PX3-4917-V2

rev20250209

### LINE DRAWING



### FEATURES

Energy Metering	Voltage (V), Current (A), Active Power (kW), Real Power (kVA), Energy (kWh), Power Factor
Metering Accuracy	ISO/IEC 62053-21 1% (see page 3 for details)
Metering per Input Line	Yes
Metering per Branch Circuit Breaker	Yes
Metering per Output Receptacle	Yes
Remote Outlet Switching	No
Environmental Sensor Ready	Yes
Replaceable Controller	Yes
Compatible Sensors	Temperature, Humidity, Air Flow, Differential Pressure, Water Leak, and Contact Closure
Networking	Gigabit (10/100/1000 BaseT) Ethernet port; secondary, redundant (10/100/1000 BaseT) Ethernet port. Optional WiFi (802.11a/b/g/n)
Remote Management	HTTP(s); SSH; Telnet; RS-232 (Serial); Power IQ; SNMP version v2/v3; SMTP; JSON-RPC; Modbus over TCP
Cascading	Yes, Max 32 PDUs can be daisy chained using a USB connection and 32 PDUs using Ethernet connection
Onboard Display	Color, matrix LCD display : Voltage, current, or active power (per line, per breaker, or per receptacle / outlet); Alarms; Configuration information (name, ratings, IP / Networking information); Auto-flip orientation
Embedded Processor	ARM Cortex A5 536MHZ (Atmel A5D35A), 16MB SPI Flash, 64MB DDR2 RAM

## Technical Specifications / Engineering Submittals

Raritan Model Number: PX3-4917-V2

rev20250209

### INPUT

Input Plug	IEC 60309 3P+N+E 6h 32A (4P5W), IP44
Cord Length	3 meters (9.84 feet) standard
Cord Entry	Bottom-front feed
Cable Type	N-S LSOH 5G6.0
Number of Power Cords	1
Maximum Input Current	32A
Nominal Input Voltage	400V 3 phase
Rated Input Voltage	380 - 415V 3 phase
Input Frequency	50/60Hz
Power Capacity	21.1kVA at 380V, 23.0kVA at 415V

### OUTPUT

Nominal Output Voltage	230V
Rated Output Voltage	220 - 240V
Receptacles (Output Connections)	(12) IEC320 C13, 10A (12) IEC320 C19, 16A
Securelock Support	Yes
Cord Retention	Yes
Overload Protection	(6) LEGBXA6-16, 5KAIC

### PHYSICAL

Color	Black powder coat (custom colors available)
Unit Dimensions (WxDxH)	2.1" x 2.6" x 70.1" ; 52mm x 65mm x 1780mm
Unit Weight	7.5 kg
Shipping Weight	9.5 kg
Shipping Dimensions (WxDxH)	11.22" x 4.53" x 75.39" ; 285mm x 115mm x 1915mm
Mounting	G2-RACK-FOR-ZU

## Technical Specifications / Engineering Submittals

Raritan Model Number: PX3-4917-V2

rev20250209

### ENVIRONMENTAL

Operating Temperature	60°C
Operating Relative Humidity	85%
Operating Elevation	0-6000ft

### CONFORMANCE

Regulatory Approvals	CE, Canada ICES-003, Part 15 Class A of the FCC rules, RoHS compliant
Warranty	Standard 2 years manufacturer warranty

### ACCURACY

	Input Measurement	Output Measurement
LCD & GUI Current	±1% at 0.1 A resolution	±1% at 0.1 A resolution
Voltage	±1% at 0.1 V resolution	±1% at 0.1 V resolution
Active Power	±1% at 1 W resolution	±1% at 1 W resolution
Apparent Power	±1% at 1 VA resolution	±1% at 1 VA resolution
Power Factor	±1% at 0.1 resolution	±1% at 0.1 resolution
Active Energy	±1% at 0.1 kWh resolution	±1% at 0.1 kWh resolution

### Branch Measurement

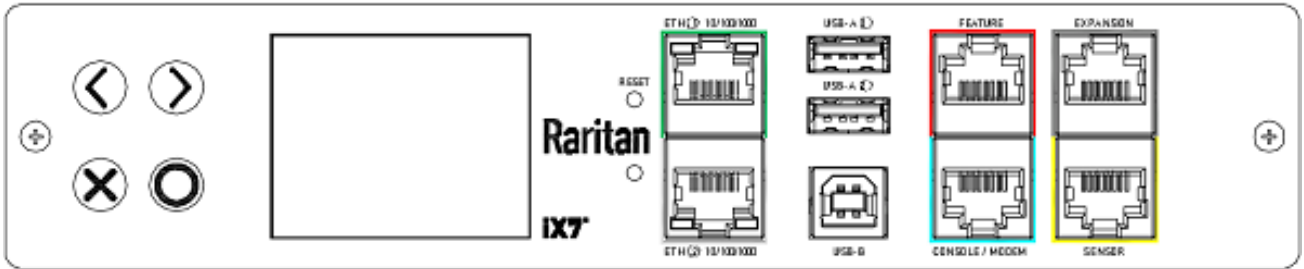
Current	±1% at 0.1 A resolution
---------	-------------------------

## Technical Specifications / Engineering Submittals

Raritan Model Number: PX3-4917-V2

rev20250209

### CONTROL PANEL

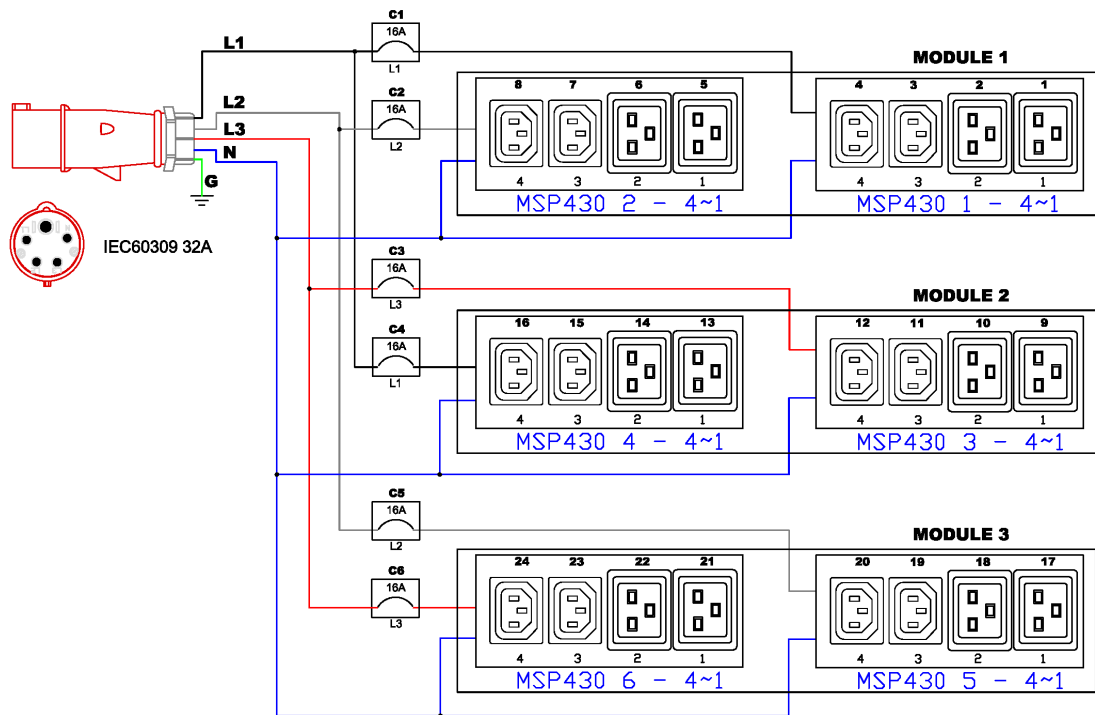


## Technical Specifications / Engineering Submittals

Raritan Model Number: PX3-4917-V2

rev20250209

### ELECTRICAL (ONE LINE) DIAGRAM

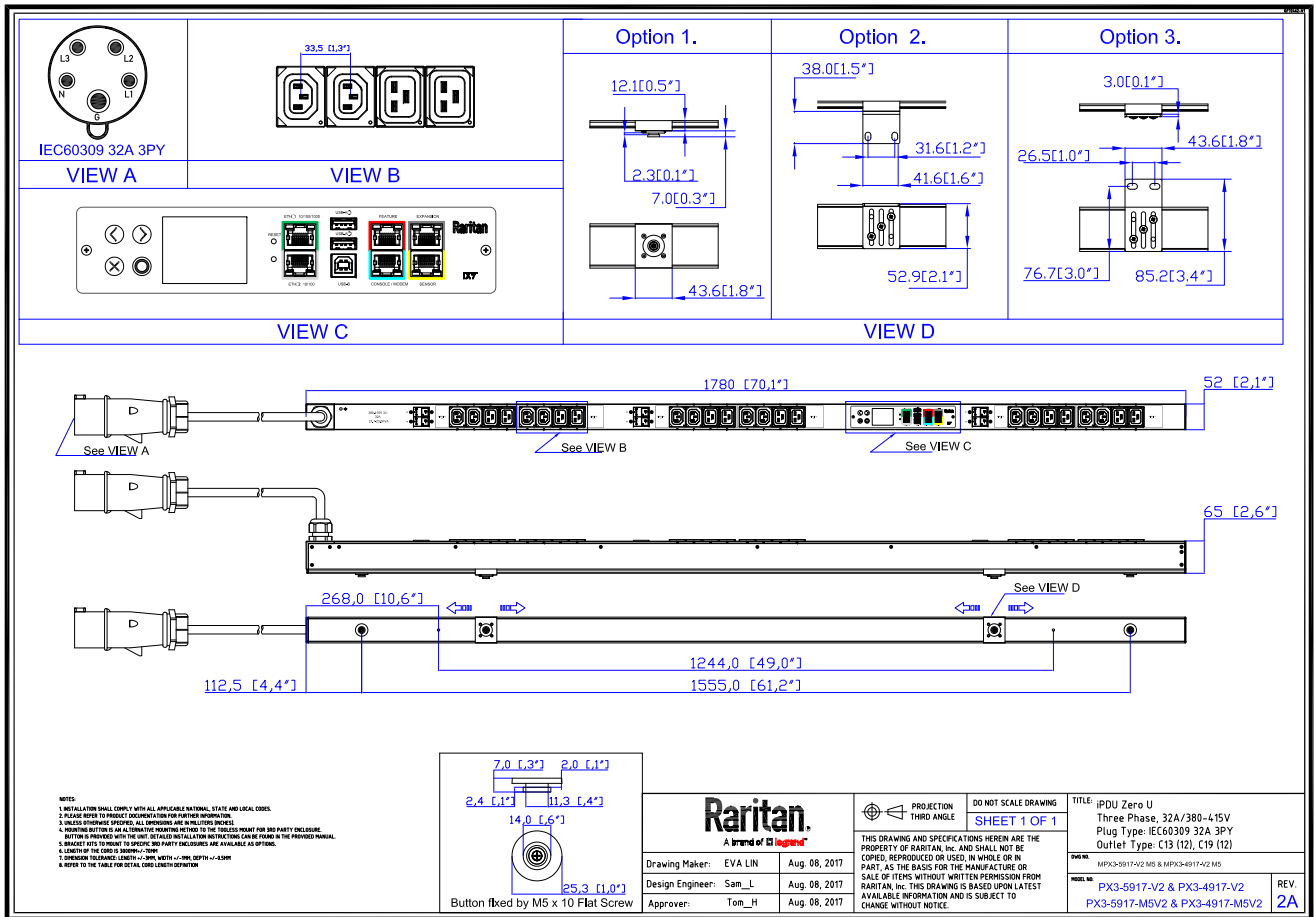


## Technical Specifications / Engineering Submittals

Raritan Model Number: PX3-4917-V2

rev20250209

### MECHANICAL DIAGRAM

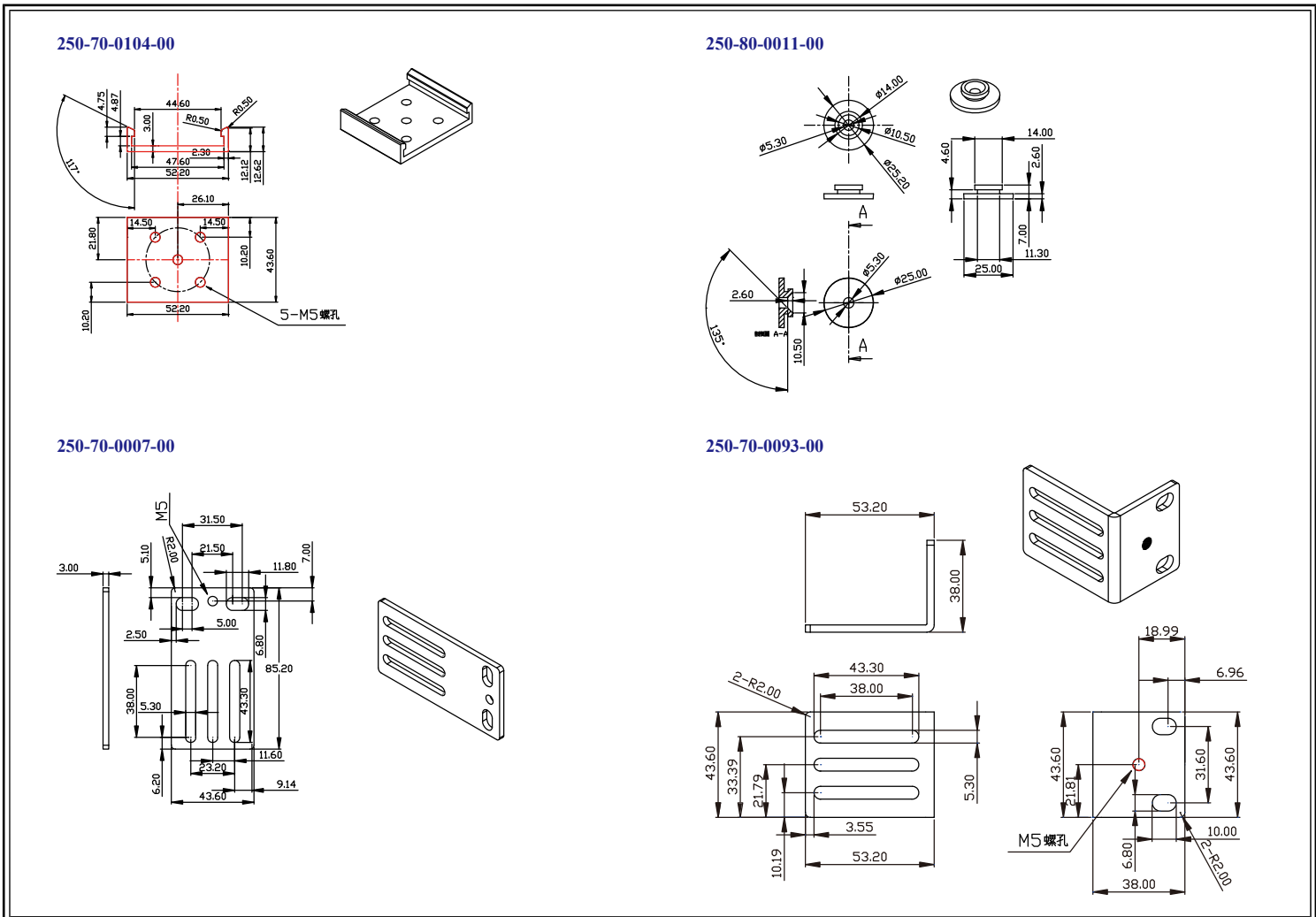


# Technical Specifications / Engineering Submittals

Raritan Model Number: PX3-4917-V2

rev20250209

## Mounting Diagram (G2-RACK-FOR-ZU)

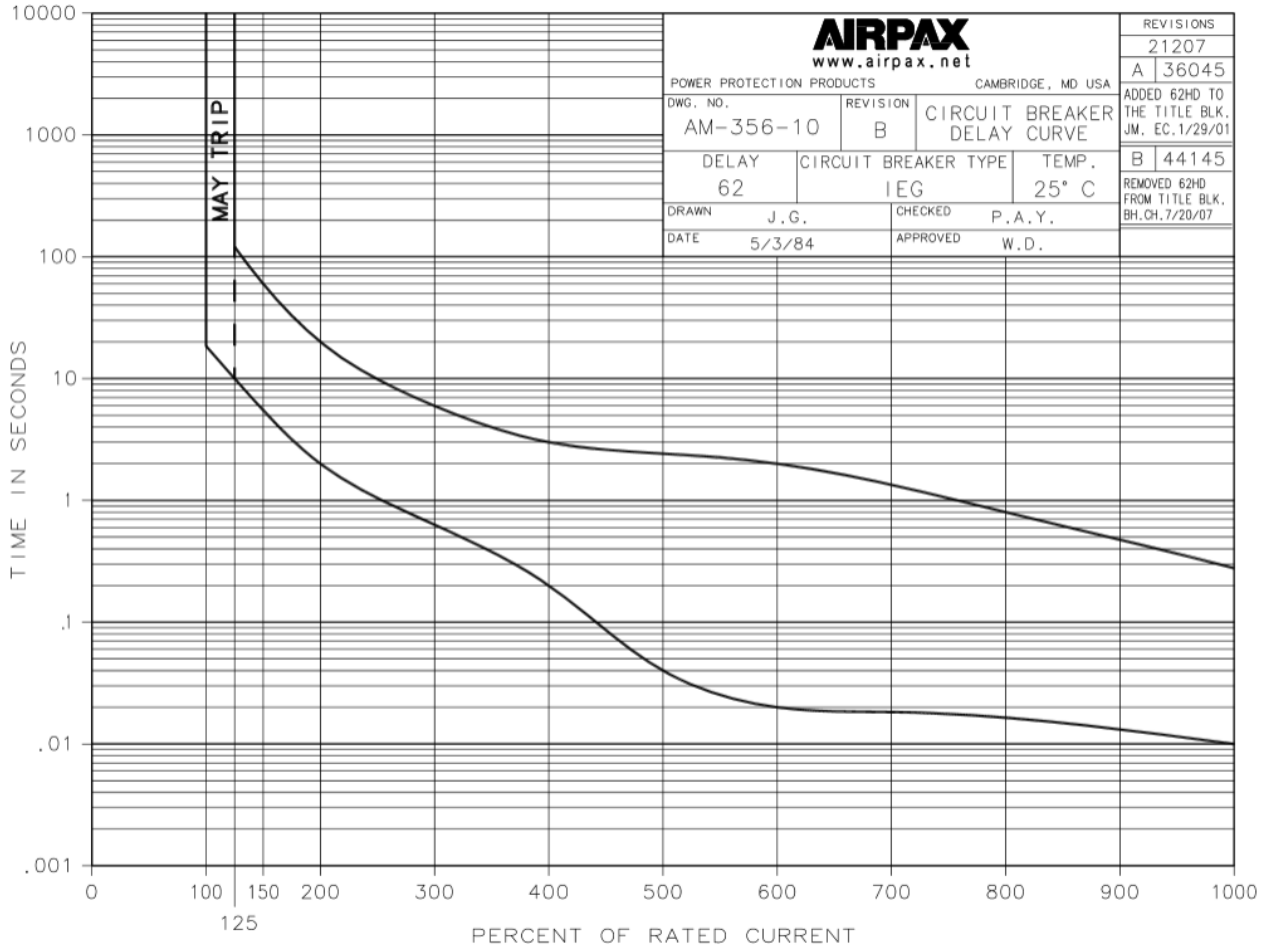


# Technical Specifications / Engineering Submittals

Raritan Model Number: PX3-4917-V2

rev20250209

## TRIP CURVE



C-1009-1 5/98 32556

This file generated on: Sun, February 09, 2025 - 23:03:04