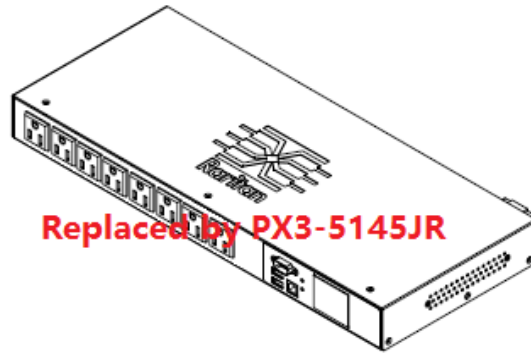


Technical Specifications / Engineering Submittals

Raritan Model Number: PX3-5138JR

rev20200701

LINE DRAWING



FEATURES

Energy Metering	Voltage (V), Current (A), Active Power (kW), Real Power (kVA), Energy (kWh), Power Factor
Metering Accuracy	ISO/IEC 62053-21 1%
Metering per Input Line	Yes
Metering per Branch Circuit Breaker	No
Metering per Output Receptacle	Yes
Remote Outlet Switching	Yes
Environmental Sensor Ready	Yes
Replaceable Controller	No
Compatible Sensors	Temperature, Humidity, Air Flow, Differential Pressure, Water Leak, and Contact Closure
Networking	(10/100 BaseT) Ethernet port. Optional WiFi (802.11a/b/g/n)
Remote Management	HTTP(s); SSH; Telnet; RS-232 (Serial); Power IQ; SNMP version v2/v3; SMTP; JSON-RPC; Modbus over TCP
Cascading	Yes, Max 16 PDUs can be daisy chained using USB connection
Onboard Display	Color, matrix LCD display : Voltage, current, or active power (per line, or per receptacle /outlet); Alarms; Configuration information (name, ratings, IP / Networking information)
Embedded Processor	ARM 9 400MHZ (Atmel SAM9G20), 16MB NOR Flash, 64MB SDRAM

Technical Specifications / Engineering Submittals

Raritan Model Number: PX3-5138JR

rev20200701

INPUT

Input Plug	NEMA 5-15P (2P3W)
Cord Length	3 meters (9.84 feet) standard
Cord Entry	Rear feed
Cable Type	IP44("splashproof")
Number of Power Cords	1
Maximum Input Current	15A
Nominal Input Voltage	100V
Rated Input Voltage	100 - 100V
Input Frequency	50/60Hz
Power Capacity	1.5kVA at 100V, 1.5kVA at 100V

OUTPUT

Nominal Output Voltage	100V
Rated Output Voltage	100 - 100V
Receptacles (Output Connections)	(8) NEMA 5-15R, 15A
Securelock Support	No
Cord Retention	No
Overload Protection	N/A

PHYSICAL

Color	Black powder coat (custom colors available)
Unit Dimensions (WxDxH)	17.3" x 7.2" x 1.7" ; 440mm x 183mm x 44mm
Unit Weight	4 kg
Shipping Weight	6.2 kg
Shipping Dimensions (WxDxH)	22.44" x 16.34" x 12.6" ; 570mm x 415mm x 320mm
Mounting	RACK-KIT-DPX-1U

Technical Specifications / Engineering Submittals

Raritan Model Number: PX3-5138JR

rev20200701

ENVIRONMENTAL

Operating Temperature	60°C
Operating Relative Humidity	85%
Operating Elevation	0-10000ft
Storage Temperature	-25 to 65°C
Storage Humidity	0-100%
Storage Elevation	0-10000ft

CONFORMANCE

Regulatory Approvals	PSE, Canada ICES-003, Part 15 Class A of the FCC rules RoHS compliant
Warranty	Standard 2 years manufacturer warranty (Extended warranty available for purchase)

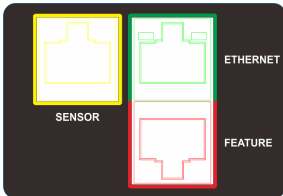
Technical Specifications / Engineering Submittals

Raritan Model Number: PX3-5138JR

rev20200701

CONTROL PANEL

Dimension: 58mm x 40mm



CONTROL PANEL2

Dimension: 139mm x 40mm

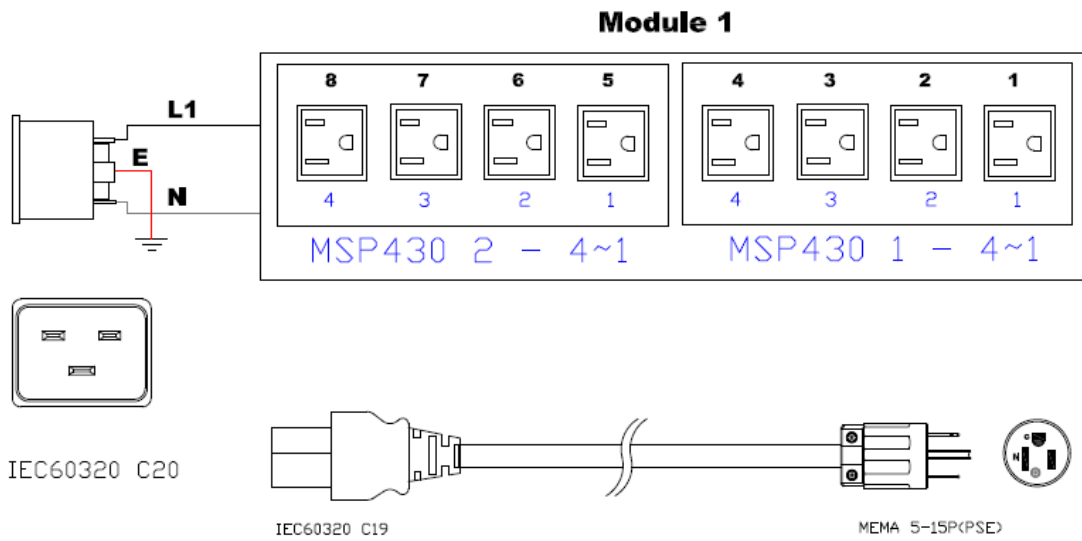


Technical Specifications / Engineering Submittals

Raritan Model Number: PX3-5138JR

rev20200701

ELECTRICAL (ONE LINE) DIAGRAM

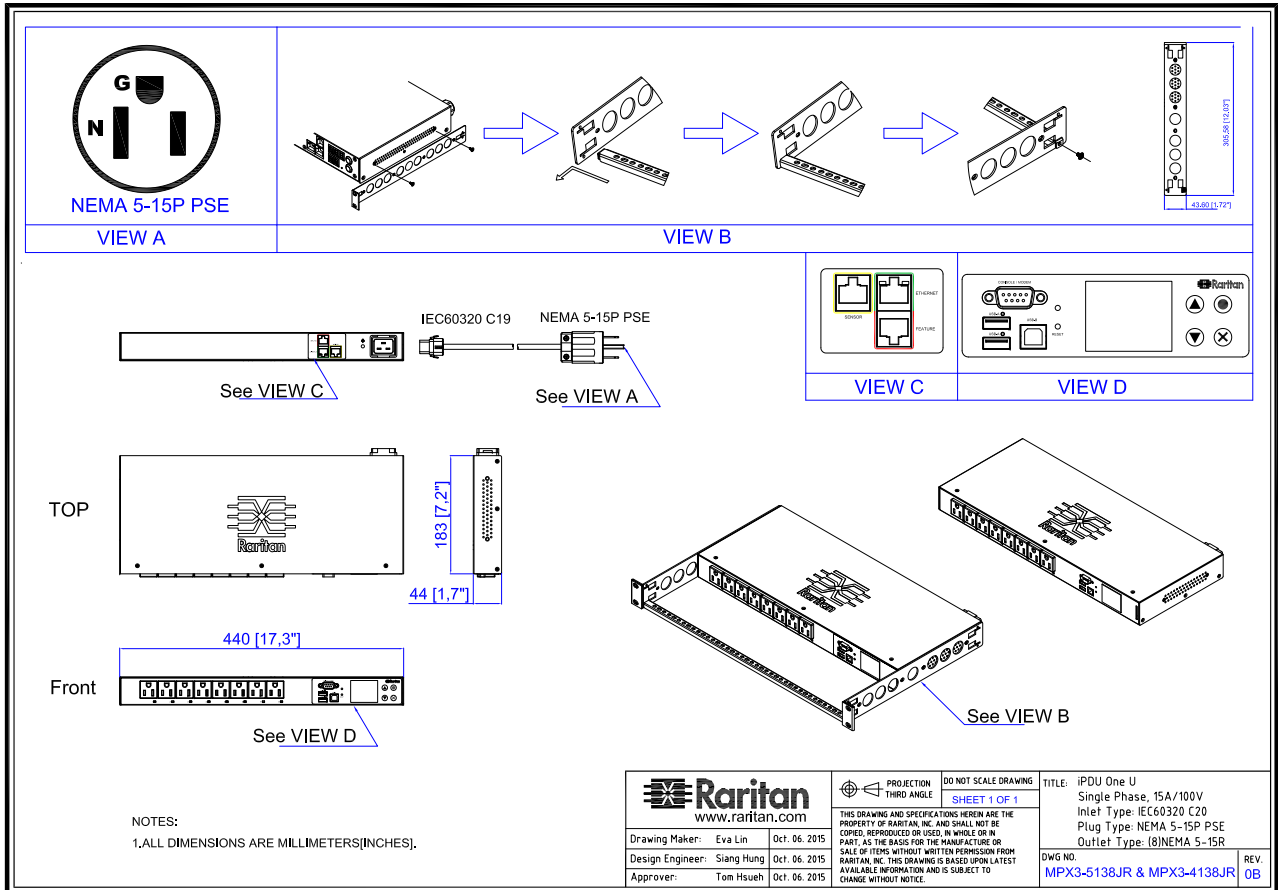


Technical Specifications / Engineering Submittals

Raritan Model Number: PX3-5138JR

rev20200701

MECHANICAL DIAGRAM



Technical Specifications / Engineering Submittals

Raritan Model Number: PX3-5138JR

rev20200701

TRIP CURVE

This file generated on: Wed, July 01, 2020 - 05:37:33