

Technical Specifications / Engineering Submittals

Raritan Model Number: PX3-5156A3-E2G1V2

rev20170831

LINE DRAWING



FEATURES

Energy Metering	Voltage (V), Current (A), Active Power (kW), Real Power (kVA), Energy (kWh), Power Factor
Metering Accuracy	ISO/IEC 62053-21 1%
Metering per Input Line	Yes
Metering per Branch Circuit Breaker	Yes
Metering per Output Receptacle	Yes
Remote Outlet Switching	Yes
Environmental Sensor Ready	Yes
Replaceable Controller	Yes
Compatible Sensors	Temperature, Humidity, Air Flow, Differential Pressure, Water Leak, and Contact Closure
Networking	Gigabit (10/100/1000 BaseT) Ethernet port
Remote Management	HTTP(s); SSH; Telnet; RS-232 (Serial); Power IQ; SNMP version v2/v3; SMTP; JSON-RPC
Cascading	Yes, Max 16 PDUs can be daisy chained using USB connection
Onboard Display	Color, matrix LCD display : Voltage, current, or active power (per line, per breaker, or per receptacle / outlet); Alarms; Configuration information (name, ratings, IP / Networking information); Auto-flip orientation
Embedded Processor	ARM9 400MHZ (Atmel SAM9G20), 16MB NOR Flash, 64MB SDRAM

Technical Specifications / Engineering Submittals

Raritan Model Number: PX3-5156A3-E2G1V2

rev20170831

INPUT

Input Plug	Clipsal 56P532 (4P5W)
Cord Length	3 meters (9.84 feet) standard
Cord Entry	Bottom-front feed
Cable Type	IP66
Number of Power Cords	1
Maximum Input Current	32A
Nominal Input Voltage	415V 3 phase
Rated Input Voltage	415 - 415V 3 phase
Input Frequency	50/60Hz
Power Capacity	23.0kVA at 415V, 23.0kVA at 415V

OUTPUT

Nominal Output Voltage	240V
Rated Output Voltage	240 - 240V
Receptacles (Output Connections)	(24) IEC60320 C13 Locking, 10A (9) IEC60320 C19 Locking, 16A
Securelock Support	Yes
Cord Retention	No
Overload Protection	(6) Airpax LEGBX6-37483-16-V

PHYSICAL

Color	Black powder coat (custom colors available)
Unit Dimensions (WxDxH)	2.1" x 2.8" x 76.8" ; 52mm x 71mm x 1950mm
Unit Weight	8.6 kg
Shipping Weight	11.2 kg
Shipping Dimensions (WxDxH)	10.24" x 4.53" x 81.1" ; 260mm x 115mm x 2060mm
Mounting	G2-RACK-FOR-ZU

Technical Specifications / Engineering Submittals

Raritan Model Number: PX3-5156A3-E2G1V2

rev20170831

ENVIRONMENTAL

Operating Temperature 60°C

Operating Relative Humidity 85%

Operating Elevation 0-10000ft

CONFORMANCE

Regulatory Approvals CE, Canada ICES-003, Part 15 Class A of the FCC rules,
RoHS compliant

Warranty Standard 2 years manufacturer warranty

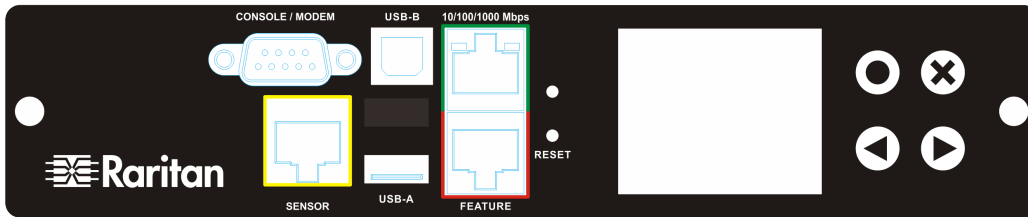
Technical Specifications / Engineering Submittals

Raritan Model Number: PX3-5156A3-E2G1V2

rev20170831

CONTROL PANEL

Dimension: 212mm x 43.5mm

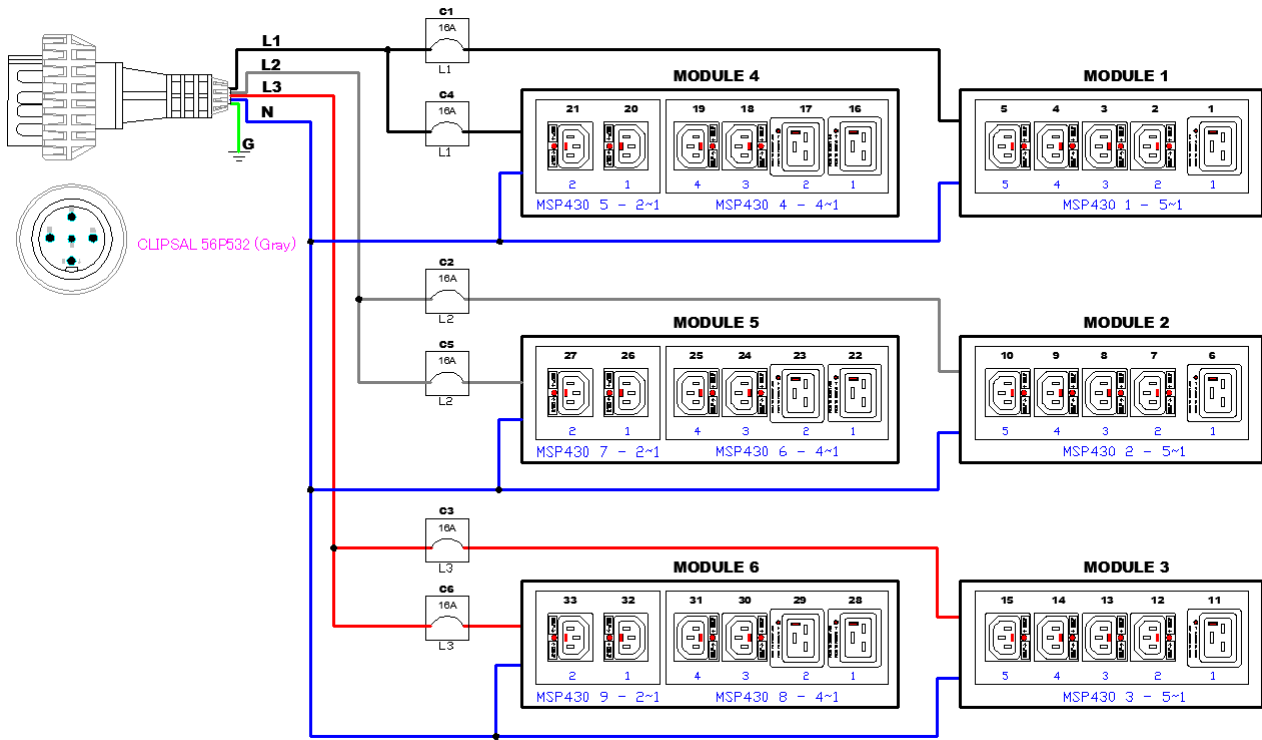


Technical Specifications / Engineering Submittals

Raritan Model Number: PX3-5156A3-E2G1V2

rev20170831

ELECTRICAL (ONE LINE) DIAGRAM



Technical Specifications / Engineering Submittals

Raritan Model Number: PX3-5156A3-E2G1V2

rev20170831

Mounting Diagram (G2-RACK-FOR-ZU)

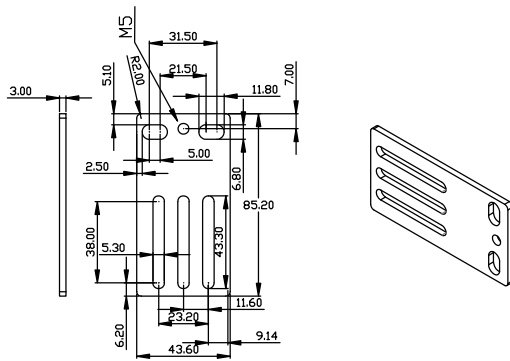
250-70-0104-00



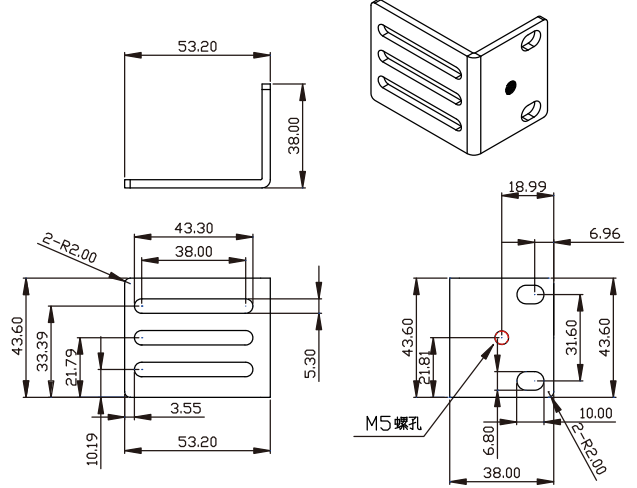
250-80-0011-00



250-70-0007-00



250-70-0093-00

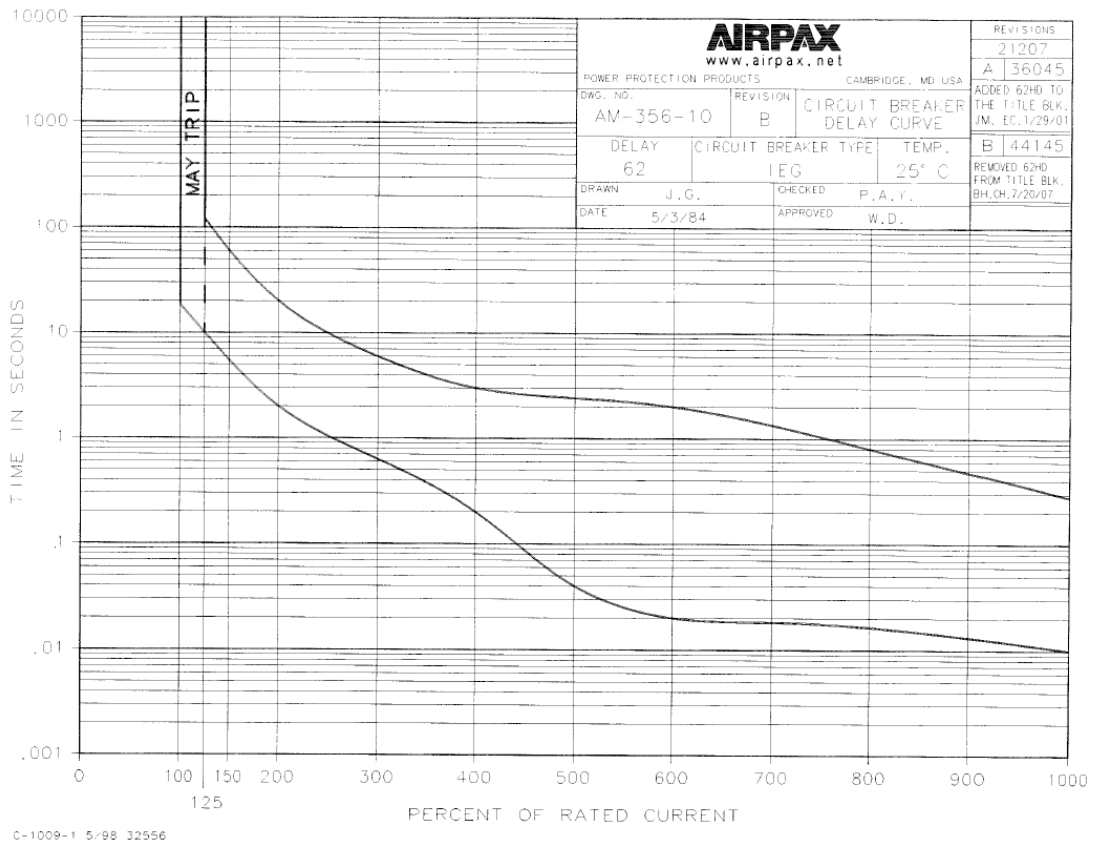


Technical Specifications / Engineering Submittals

Raritan Model Number: PX3-5156A3-E2G1V2

rev20170831

TRIP CURVE



7

This file generated on: Thu, August 31, 2017 - 21:30:57