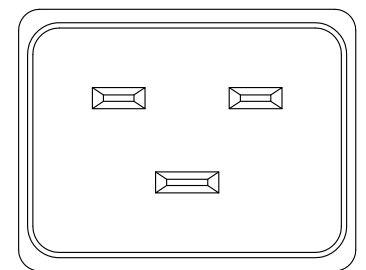
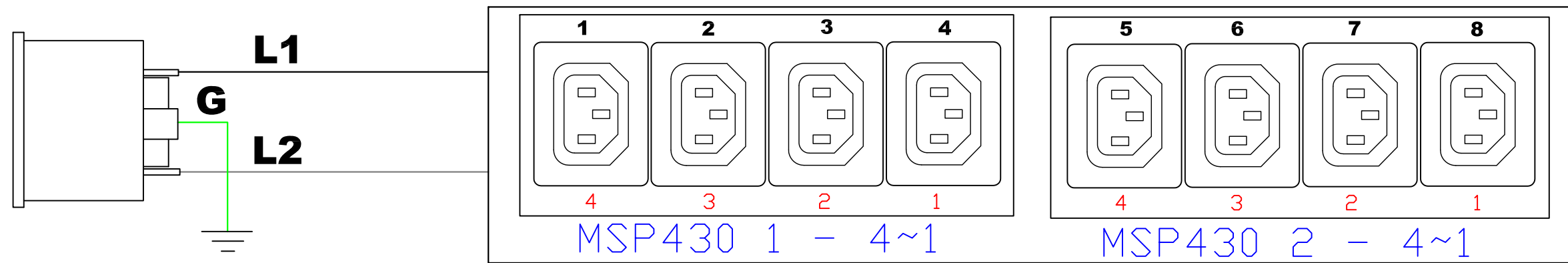
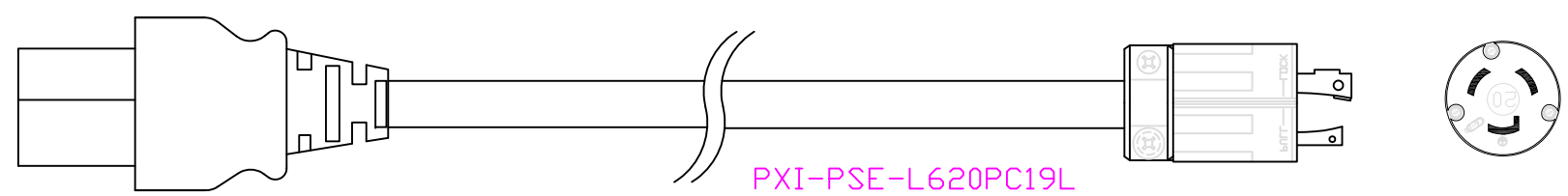


MODULE 1



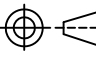


IEC60320 C20



IEC60320 C19

NEMA L6-20P(PSE)

 A brand of 		 PROJECTION THIRD ANGLE	DO NOT SCALE DRAWING	TITLE: iPDU 1U, Metered & Switched, Single phase 16A / 200V Input : IEC60320/C20 + PXI-PSE-L620PC19L Output : (8) C13
			SHEET 1 OF 1	
DRAWN : Albert Lee	NOV/01/2018	THIS DRAWING AND SPECIFICATIONS HEREIN ARE THE PROPERTY OF RARITAN, INC. AND SHALL NOT BE COPIED, REPRODUCED OR USED, IN WHOLE OR IN PART, AS THE BASIS FOR THE MANUFACTURE OR SALE OF ITEMS WITHOUT WRITTEN PERMISSION FROM RARITAN, INC. THIS DRAWING IS BASED UPON LATEST AVAILABLE INFORMATION AND IS SUBJECT TO CHANGE WITHOUT NOTICE..	DWG NO.	
ENGINEER:			TPX3-5180JR	
APPROVED: Alex.Lee	NOV/01/2018			