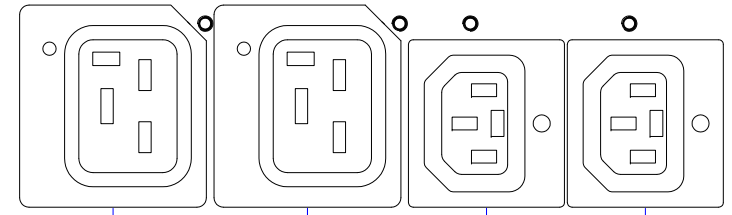


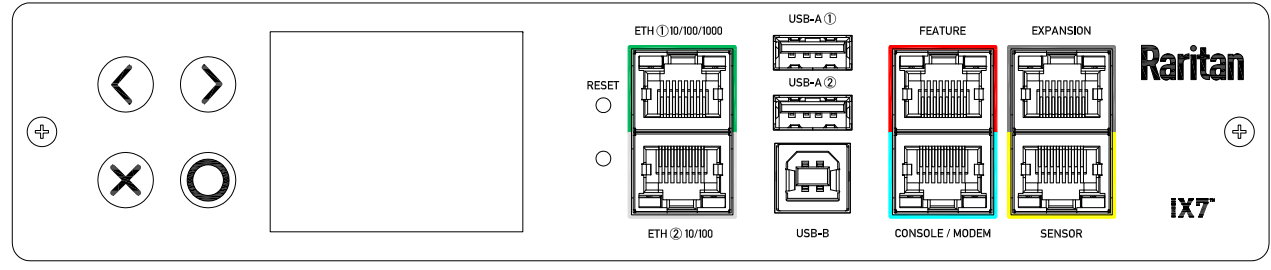
NEMA L6-30P PSE

VIEW A



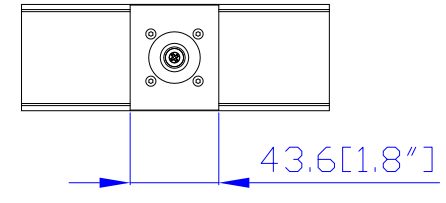
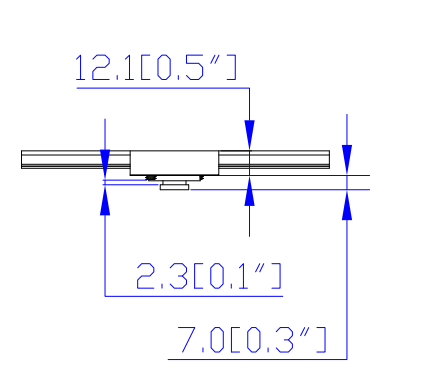
41,0 [1,6"] 37,8 [1,5"] 33,5 [1,3"]

VIEW B

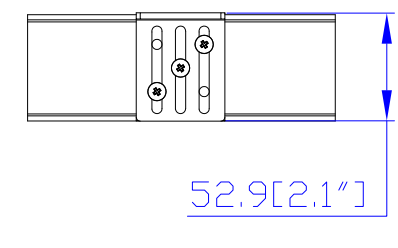
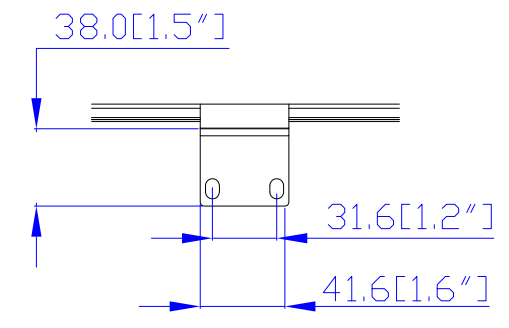


VIEW C

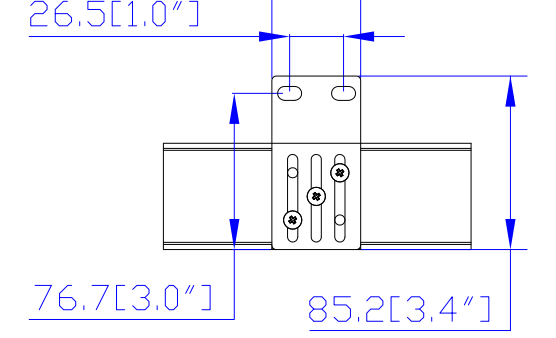
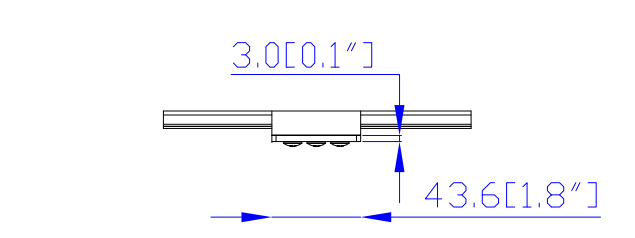
Option 1.



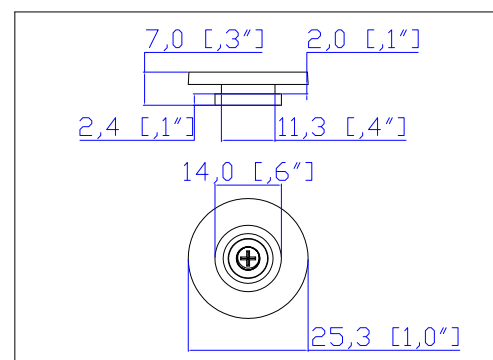
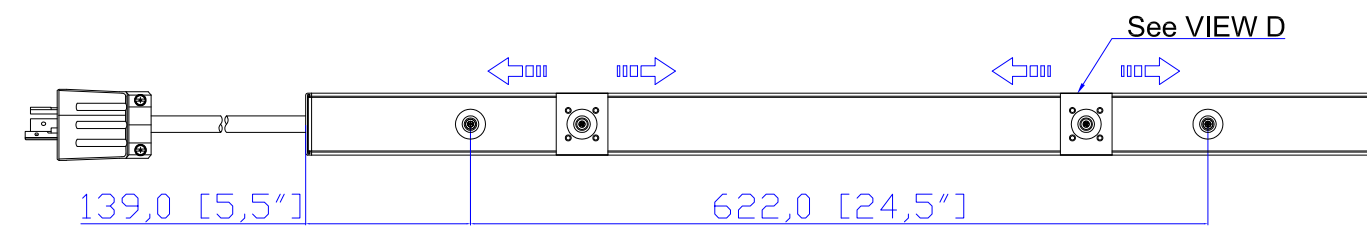
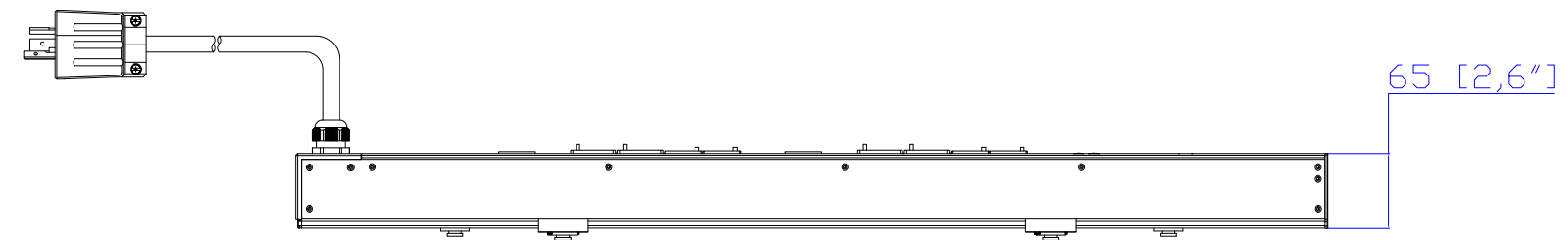
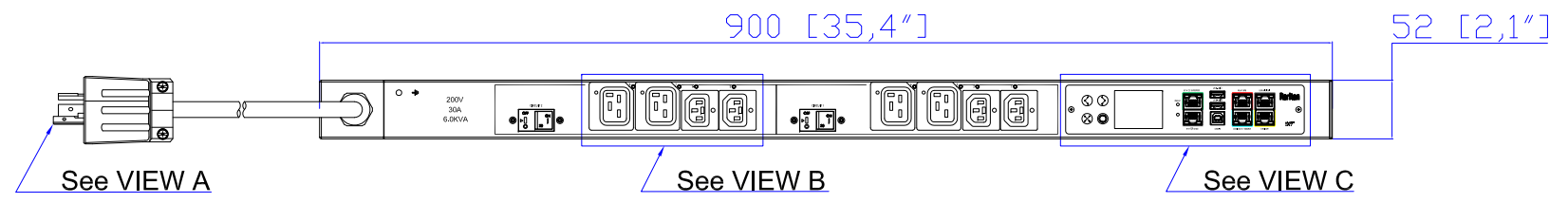
Option 2.



Option 3.



VIEW D



Button fixed by M5 x 10 Flat Screw

- NOTES:
1. INSTALLATION SHALL COMPLY WITH ALL APPLICABLE NATIONAL, STATE AND LOCAL CODES.
 2. PLEASE REFER TO PRODUCT DOCUMENTATION FOR FURTHER INFORMATION.
 3. UNLESS OTHERWISE SPECIFIED, ALL DIMENSIONS ARE IN MILLIMETERS (INCHES).
 4. MOUNTING BUTTON IS AN ALTERNATIVE MOUNTING METHOD TO THE TOOLLESS MOUNT FOR 3RD PARTY ENCLOSURE. BUTTON IS PROVIDED WITH THE UNIT. DETAILED INSTALLATION INSTRUCTIONS CAN BE FOUND IN THE PROVIDED MANUAL.
 5. BRACKET KITS TO MOUNT TO SPECIFIC 3RD PARTY ENCLOSURES ARE AVAILABLE AS OPTIONS.
 6. STANDARD LENGTH OF THE CORD IS 3000MM +/- 70MM
 7. DIMENSION TOLERANCE: LENGTH +/- 3MM, WIDTH +/- 1MM, DEPTH +/- 0.5MM

Raritan A brand of Legrand	
Drawing Maker: Tom Hsueh	Sep. 28. 2018
Design Engineer: Sam Liu	Sep. 28. 2018
Approver: Tom Hsueh	Sep. 28. 2018

PROJECTION THIRD ANGLE
DO NOT SCALE DRAWING
SHEET 1 OF 1

THIS DRAWING AND SPECIFICATIONS HEREIN ARE THE PROPERTY OF RARITAN, Inc. AND SHALL NOT BE COPIED, REPRODUCED OR USED, IN WHOLE OR IN PART, AS THE BASIS FOR THE MANUFACTURE OR SALE OF ITEMS WITHOUT WRITTEN PERMISSION FROM RARITAN, Inc. THIS DRAWING IS BASED UPON LATEST AVAILABLE INFORMATION AND IS SUBJECT TO CHANGE WITHOUT NOTICE.

TITLE: iPDU Zero U Single Phase, 30A/200V Plug Type: NEMA L6-30P PSE Outlet Type: Locking C13 (4), Locking C19 (4)	
DWG NO: MPX3-5198J-E2N1M5 & MPX3-4198J-E2N1M5	
MODEL NO: PX3-5198J-E2N1 & PX3-4198J-E2N PX3-5198J-E2N1M5 & PX3-4198J-E2N1M5	REV. 2B