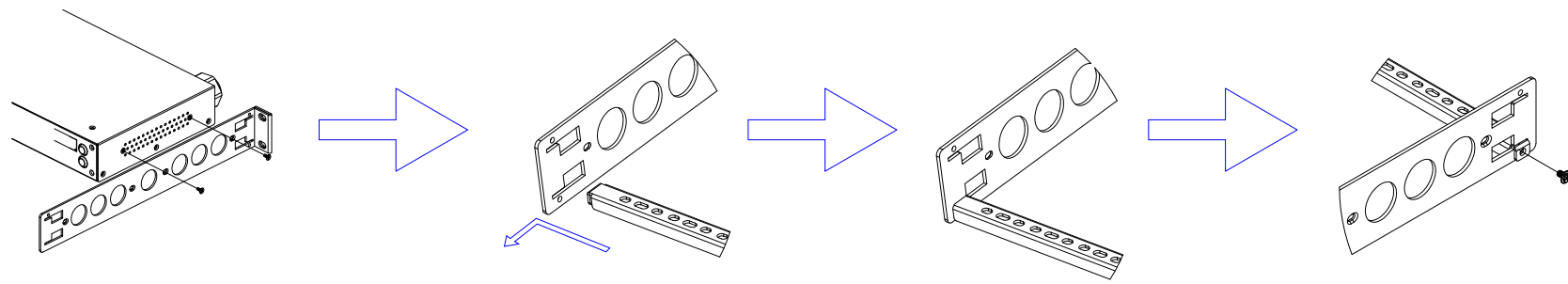
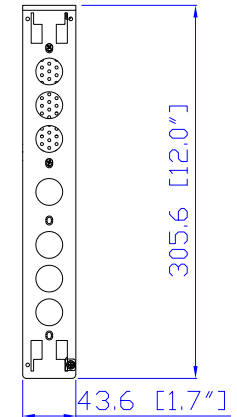


IEC60309 32A

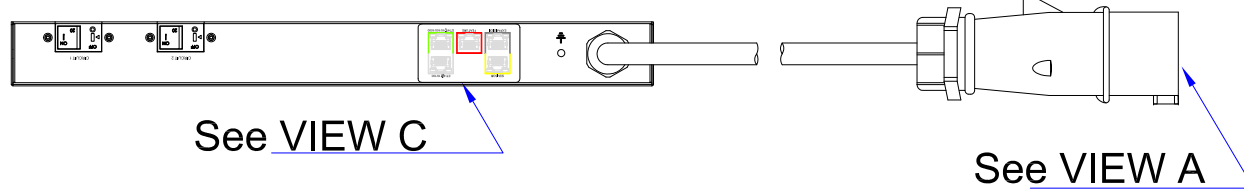
VIEW A



VIEW B

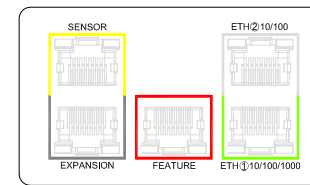


Rear



See VIEW C

See VIEW A

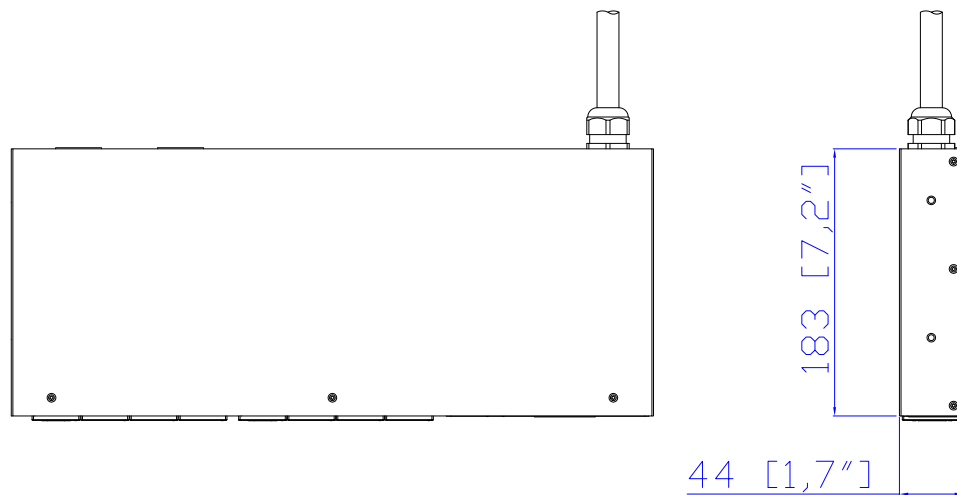


VIEW C



VIEW D

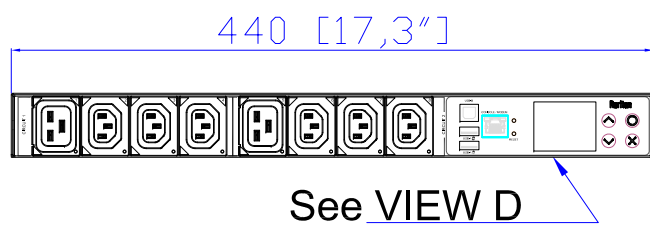
TOP



183 [7.2"]

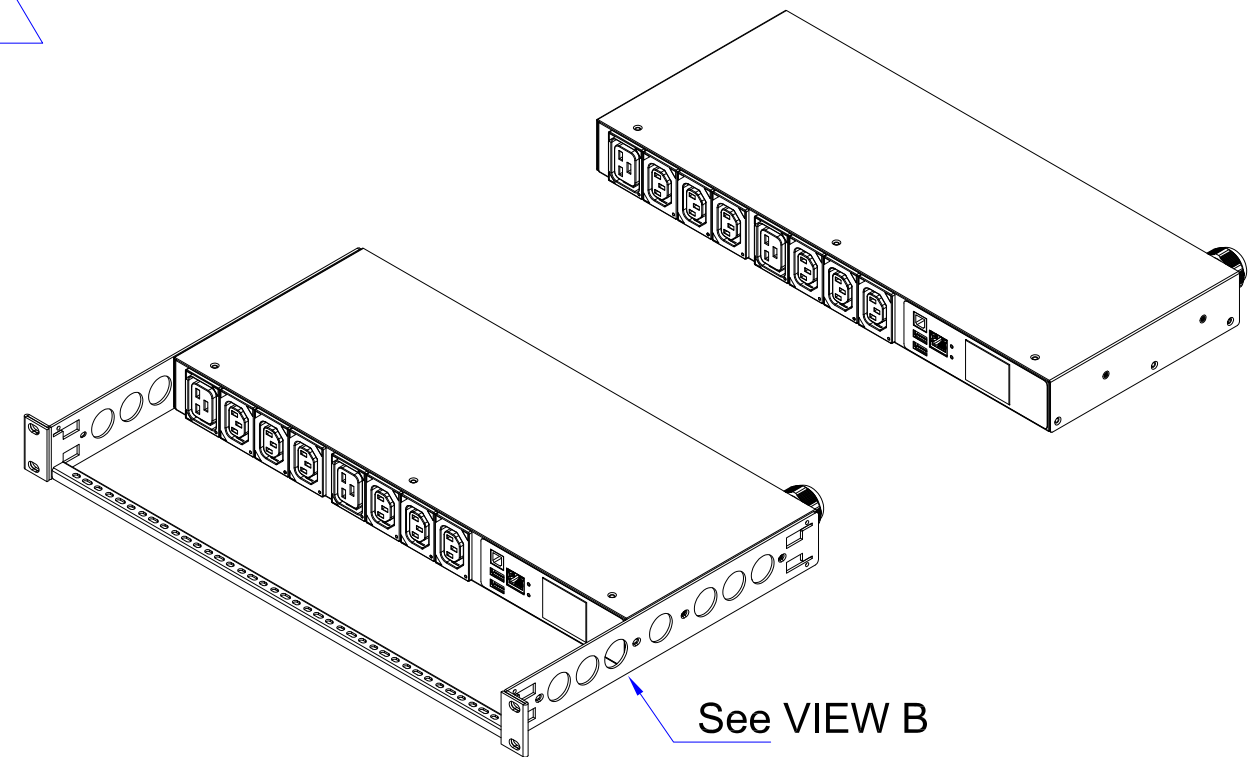
44 [1.7"]

Front



440 [17.3"]

See VIEW D



See VIEW B

NOTES:  
ALL DIMENSIONS ARE MILLIMETERS[INCHES].

**Raritan**  
A brand of **Legrand**

PROJECTION  
THIRD ANGLE

DO NOT SCALE DRAWING

SHEET 1 OF 1

THIS DRAWING AND SPECIFICATIONS HEREIN ARE THE PROPERTY OF RARITAN, INC. AND SHALL NOT BE COPIED, REPRODUCED OR USED, IN WHOLE OR IN PART, AS THE BASIS FOR THE MANUFACTURE OR SALE OF ITEMS WITHOUT WRITTEN PERMISSION FROM RARITAN, INC. THIS DRAWING IS BASED UPON LATEST AVAILABLE INFORMATION AND IS SUBJECT TO CHANGE WITHOUT NOTICE.

TITLE:  
iPDU One U  
Single Phase, 32A/200V-240V  
Plug Type: IEC60309 32A  
Outlet Type: (6)IEC320 C13 & (2)IEC320 C19

Drawing Maker:	Eva Lin	Jul. 28, 2016
Design Engineer:	Siang_H	Jul. 28, 2016
Approver:	Tom_H	Jul. 28, 2016

DWG NO.	REV.
MPX3-5205R & MPX3-4205R	0A