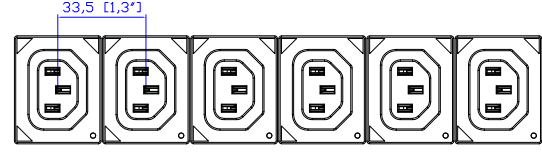
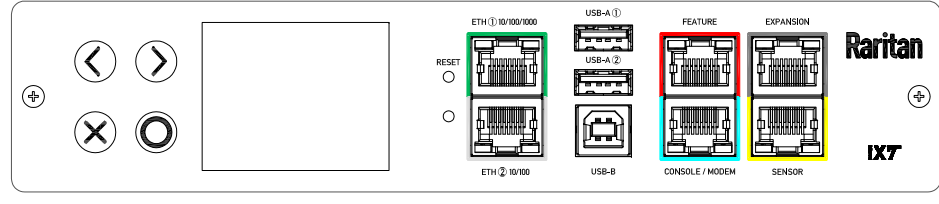


IEC60309 16A

VIEW A

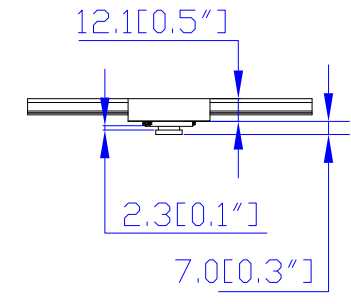


VIEW B

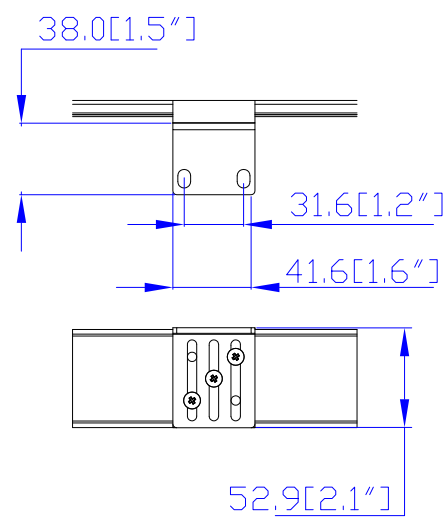


VIEW C

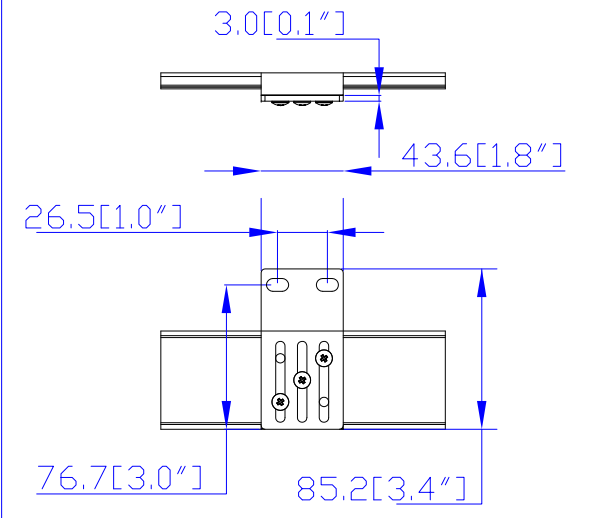
Option 1.



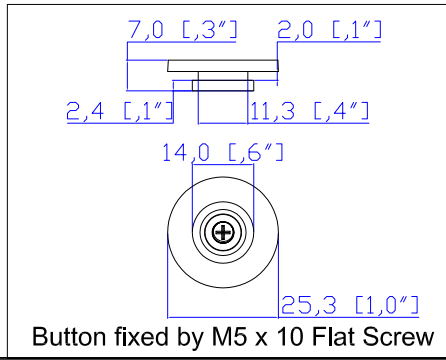
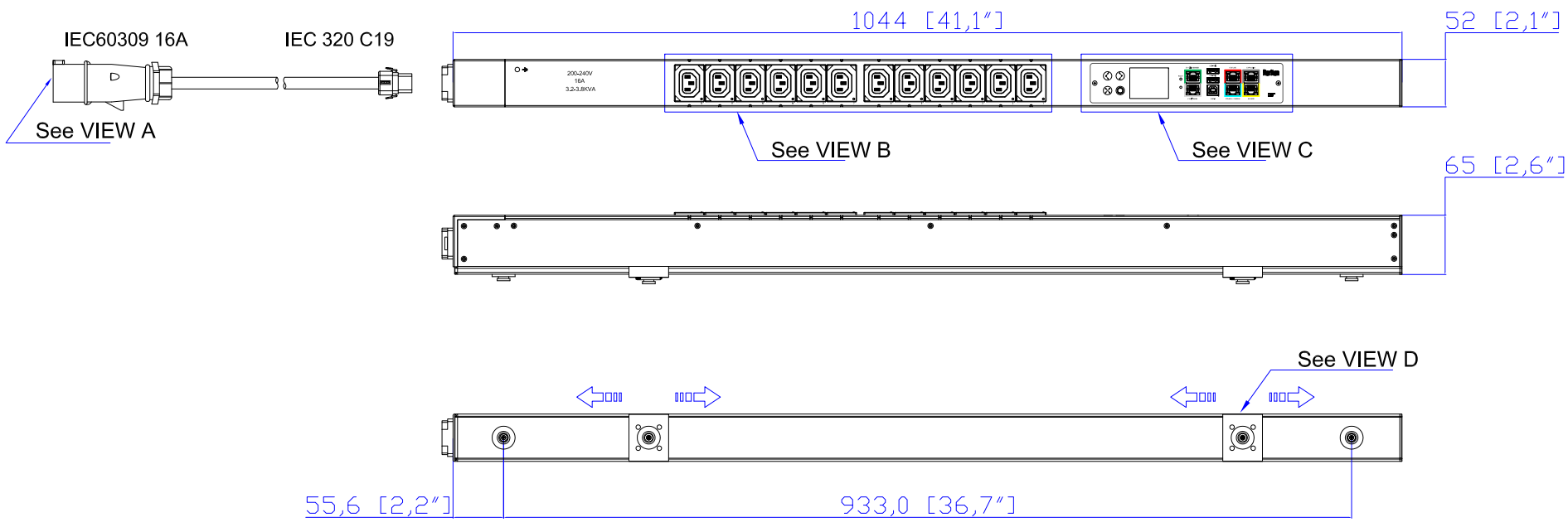
Option 2.



Option 3.



VIEW D



- NOTES:
1. INSTALLATION SHALL COMPLY WITH ALL APPLICABLE NATIONAL, STATE AND LOCAL CODES.
 2. PLEASE REFER TO PRODUCT DOCUMENTATION FOR FURTHER INFORMATION.
 3. UNLESS OTHERWISE SPECIFIED, ALL DIMENSIONS ARE IN MILLIMETERS (INCHES).
 4. MOUNTING BUTTON IS AN ALTERNATIVE MOUNTING METHOD TO THE TOOLLESS MOUNT FOR 3RD PARTY ENCLOSURE. BUTTON IS PROVIDED WITH THE UNIT. DETAILED INSTALLATION INSTRUCTIONS CAN BE FOUND IN THE PROVIDED MANUAL.
 5. BRACKET KITS TO MOUNT TO SPECIFIC 3RD PARTY ENCLOSURES ARE AVAILABLE AS OPTIONS.
 6. LENGTH OF THE CORD IS 3000MM +/- 70MM
 7. DIMENSION TOLERANCE: LENGTH +/- 3MM, WIDTH +/- 1MM, DEPTH +/- 0.5MM
 8. REFER TO THE TABLE FOR DETAIL CORD LENGTH DEFINITION

<p>A brand of legrand</p>		PROJECTION THIRD ANGLE DO NOT SCALE DRAWING SHEET 1 OF 1	TITLE: iPDU Zero U Single Phase, 16A/200-240V Inlet Type: IEC60320 C20 Plug Type: IEC60309 16A Outlet Type: C13 (12)	
			DWG NO: MPX3-5260V M5 & MPX3-4260V M5 MODEL NO: PX3-5260V & PX3-4260V PX3-5260V-M5 & PX3-4260V-M5	
Drawing Maker: Eva_Lin	Dec. 07, 2017	THIS DRAWING AND SPECIFICATIONS HEREIN ARE THE PROPERTY OF RARITAN, Inc. AND SHALL NOT BE COPIED, REPRODUCED OR USED, IN WHOLE OR IN PART, AS THE BASIS FOR THE MANUFACTURE OR SALE OF ITEMS WITHOUT WRITTEN PERMISSION FROM RARITAN, Inc. THIS DRAWING IS BASED UPON LATEST AVAILABLE INFORMATION AND IS SUBJECT TO CHANGE WITHOUT NOTICE.		
Design Engineer: Sam_L	Dec. 07, 2017			
Approver: Tom_H	Dec. 07, 2017			
		REV. 2C		