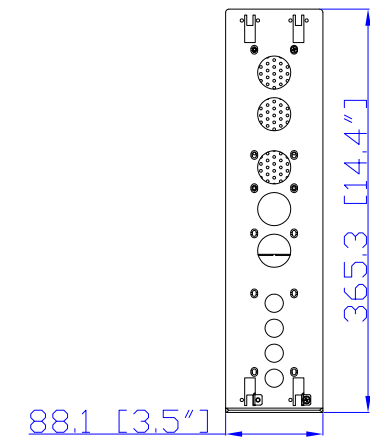
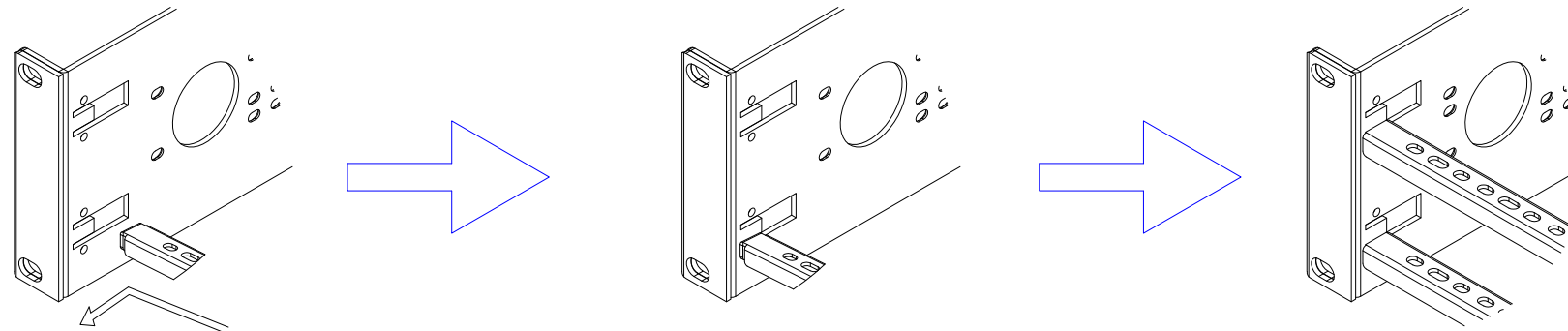


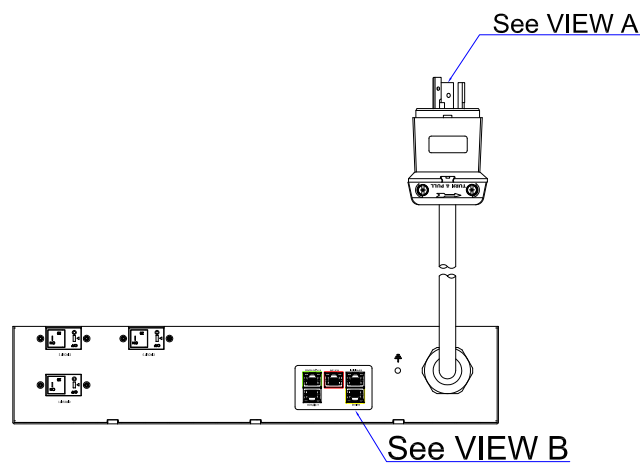
NEMA L21-30P

VIEW A

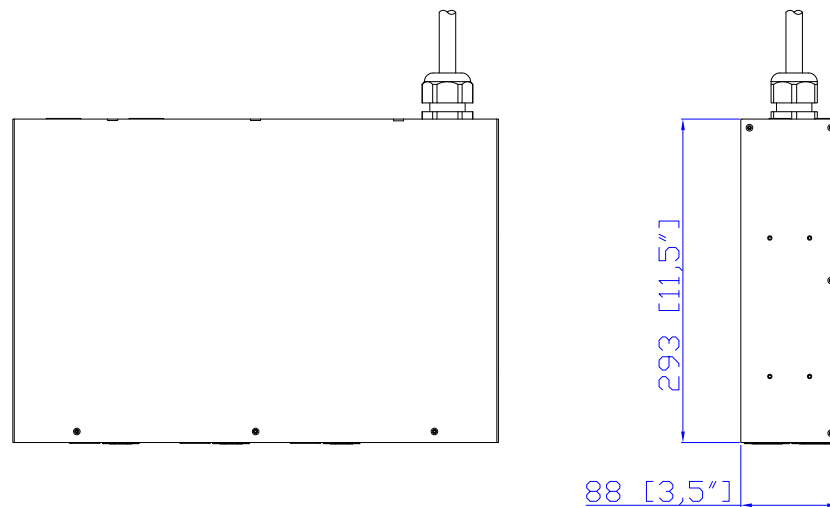


Bracket options

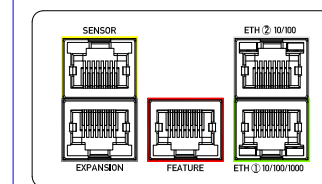
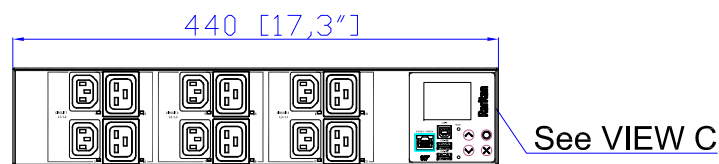
Rear



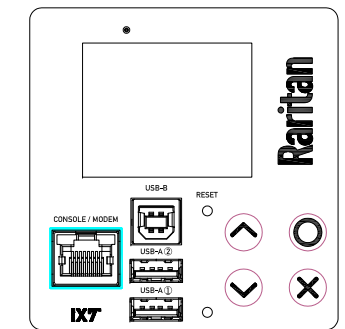
TOP



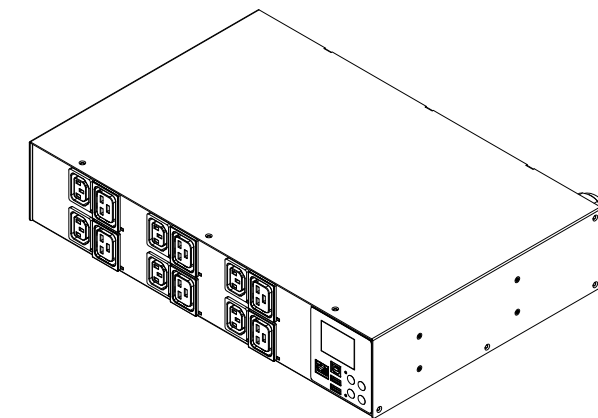
Front



VIEW B



VIEW C



- NOTES:
1. INSTALLATION SHALL COMPLY WITH ALL APPLICABLE NATIONAL, STATE AND LOCAL CODES.
  2. PLEASE REFER TO PRODUCT DOCUMENTATION FOR FURTHER INFORMATION.
  3. UNLESS OTHERWISE SPECIFIED, ALL DIMENSIONS ARE IN MILLIMETERS (INCHES).
  4. MOUNTING BUTTON IS AN ALTERNATIVE MOUNTING METHOD TO THE TOOLLESS MOUNT FOR 3RD PARTY ENCLOSURE. BUTTON IS PROVIDED WITH THE UNIT. DETAILED INSTALLATION INSTRUCTIONS CAN BE FOUND IN THE PROVIDED MANUAL.
  5. BRACKET KITS TO MOUNT TO SPECIFIC 3RD PARTY ENCLOSURES ARE AVAILABLE AS OPTIONS.
  6. LENGTH OF THE CORD IS 3000MM +/- 70MM
  7. DIMENSION TOLERANCE: LENGTH +/- 3MM, WIDTH +/- 1MM, DEPTH +/- 0.5MM

<p>A brand of </p>		PROJECTION THIRD ANGLE DO NOT SCALE DRAWING <b>SHEET 1 OF 1</b>	TITLE: iPDU Two U Three Phase, 24A/190-208V Plug Type: NEMA L21-30P Outlet Type: C13 (6), C19 (6)	
			Drawing Maker: EVA_LIN    Apr. 24, 2018 Design Engineer: Sam_L    Apr. 24, 2018 Approver: Tom_H    Apr. 24, 2018	DWG NO.: MPX3-5339R M5 & MPX3-4339R M5 MODEL NO.: <b>PX3-5339R &amp; PX3-4339R</b> <b>PX3-5339R-M5 &amp; PX3-4339R-M5</b>